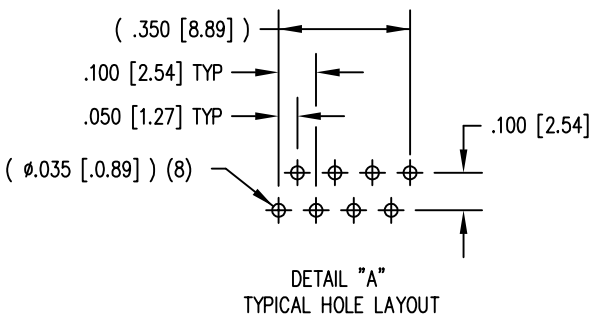
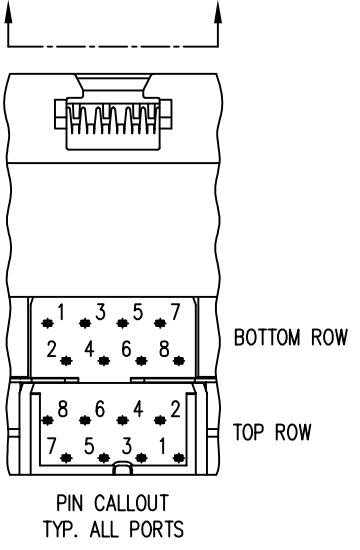
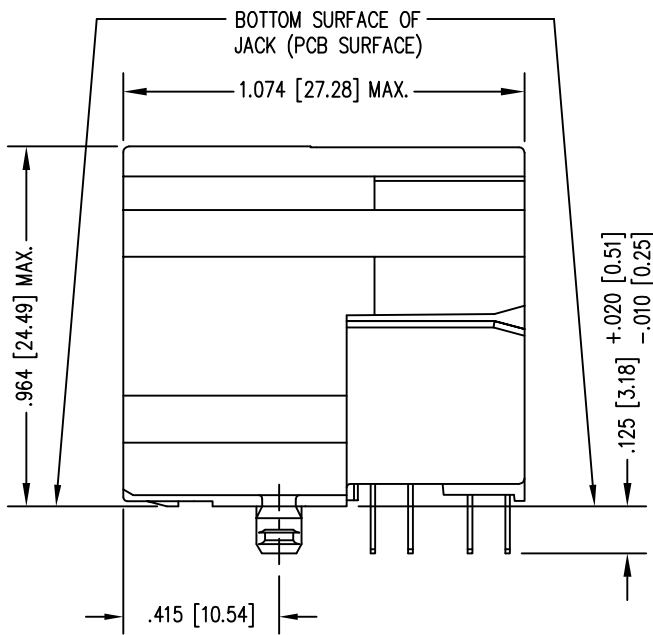
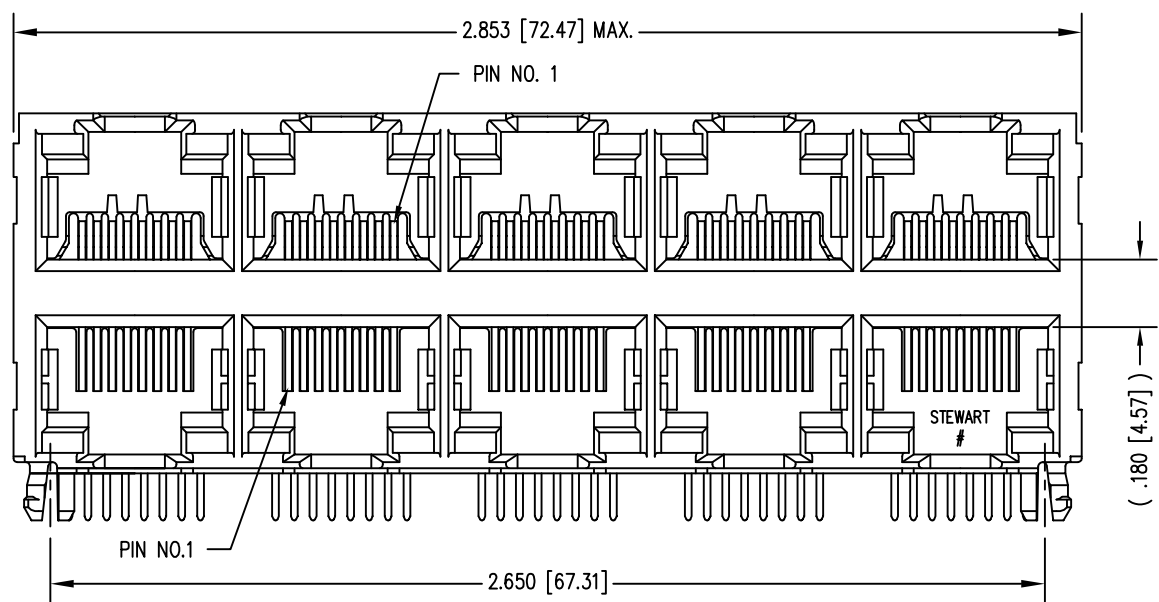
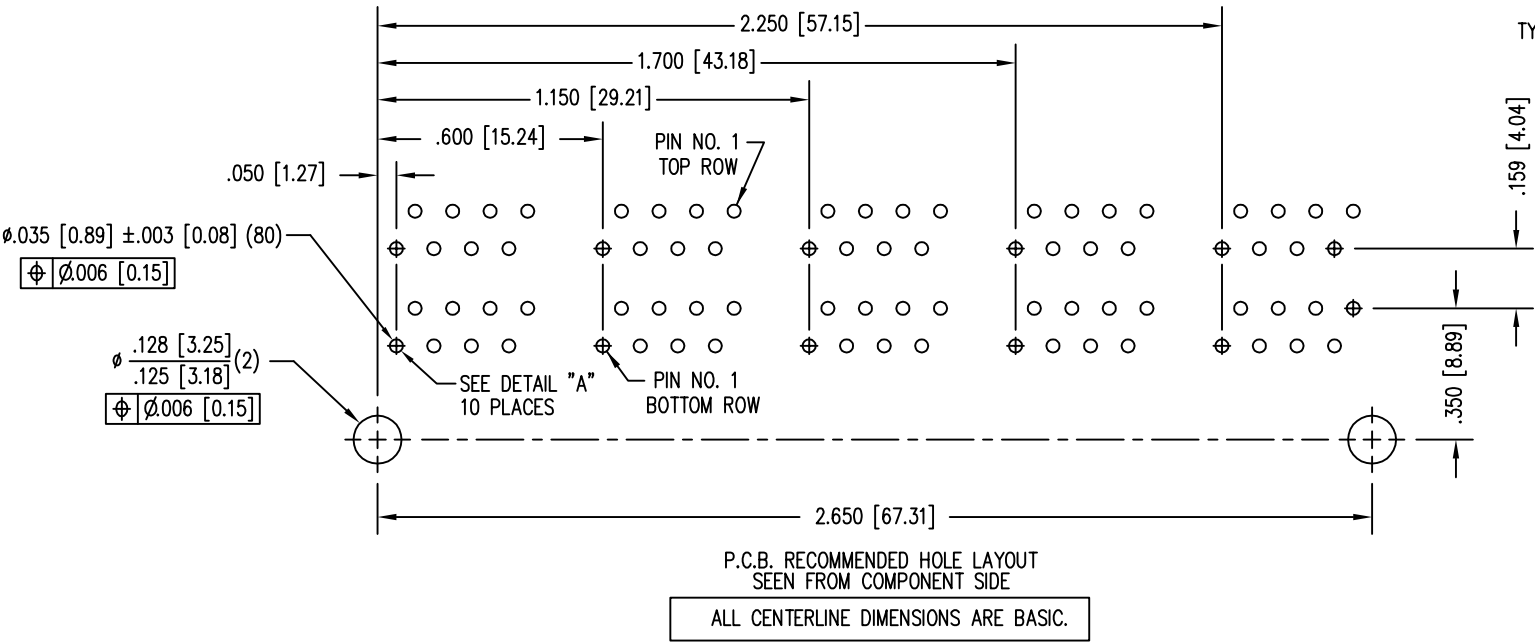


DATE	REV	ECN	APP'D. BY
6/19/12	A4	9514	SMN
8-22-12	A5	9584	TRM
1-16-15	A6	10212	TRM



- NOTES:
- CONNECTOR MATERIALS:
HOUSING: THERMOPLASTIC UL94 V-0
CONTACTS: COPPER ALLOY
CONTACT PLATING: SELECTIVE GOLD IN CONTACT AREA
SEE CHART FOR PART NUMBER
 - FOR PRODUCT SPECIFICATIONS SEE PRO22-01.
 - DIMENSIONS AND TOLERANCES COMPLY WITH TIA-1096 STANDARD.
 - CONNECTOR LUBRICANT APPLIED TO CONTACTS WITH FORWARD FACING GEOMETRY.



30 MICRO-INCHES [0.76um]	SS-738855-NF
CONTACT PLATING IN MATING AREA	PART NUMBER

THIRD ANGLE PROJECTION	<p>11118 Susquehanna Trail South Glen Rock, PA 17327-9199 (717) 235-7512 http://www.stewartconnector.com</p>
DO NOT SCALE DRAWING DRAWING IS SUBJECT TO CHANGE WITHOUT NOTICE	
DIMENSIONS: INCHES [METRIC]	TITLE: EIGHT CONTACT, EIGHT POSITION UNSHIELDED STACKED HARMONICA JACK, 10 PORTS (5 ON 5)
UNLESS OTHERWISE SPECIFIED TOLERANCES ARE ±0.05 [0.13] ANGLES ARE ± 1°	DRN BY: KRL DATE 2/3/06
SHEET NO. 1 OF 1	APPD BY: TRM DATE 5-9-06
	DWG NO. CT730038 REV. A6

