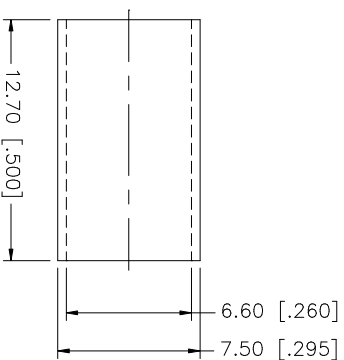
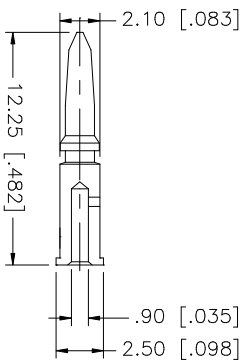
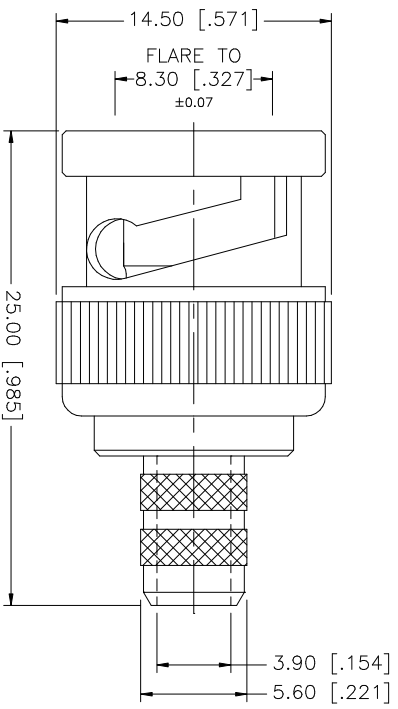
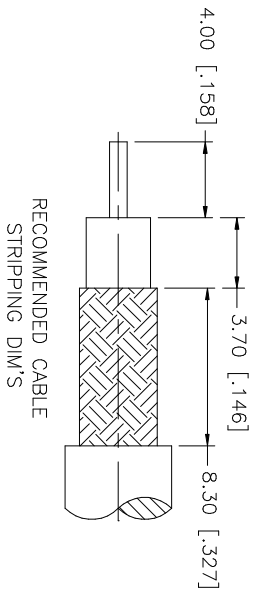


REV.	DATE	DESCRIPTION
NC	01/14/03	INITIAL RELEASE
A	04/19/06	REVISE CONTACT PIN MATERIAL AND PLATING
B	05/07/06	REVISE INSULATOR MATERIAL TO DELRIN



CRIMP NOTES:

1. CRIMPED FERRULE
HEX CRIMP SIZE .255"
2. CRIMPED CONTACT PIN
HEX CRIMP SIZE .068"

Amphenol Connex

BNC CRIMP PLUG – RG59/U 20AWG
CENTER CONTACT – 75ohm

8						UNLESS OTHERWISE SPECIFIED DIMENSIONS ARE IN MILLIMETERS. DIMENSIONS IN [] ARE IN INCHES AND FOR CUSTOMER REFERENCE ONLY.
7						UNLESS OTHERWISE SPECIFIED TOLERANCES FOR MILLIMETERS ARE:
6						0.5 – 8mm ± 0.20mm
5						8 – 30mm ± 0.40mm
4	FERRULE	BRASS	NICKEL	1		30 – 120mm ± 0.50mm
3	INSULATOR	DELRIN	NATURAL	1		UNLESS OTHERWISE SPECIFIED TOLERANCES FOR INCHES ARE:
2	CONTACT PIN	BRASS	GOLD	1		.020 – .315 = ± 0.007"
1	HOUSING/BODY	BRASS	NICKEL	1		.315 – 1.180 = ± 0.015"
	DESCRIPTION	MATERIAL	FINISH	QTY		1.180 – 4.724 = ± 0.020"
						DO NOT SCALE DRAWING
CAD FILE						
C:/112/112507.DWG						
APPROVALS		DATE				
DRAWN G.R.S.		05/07/06				
CHECKED						
ISSUED						
SHEET 1 OF 1						
PART NO.		PART DESCRIPTION				
112507		BNC CRIMP PLUG – RG59/U 20AWG CENTER CONTACT – 75ohm				
DWG. NO.		112507.DWG				
REV. B		SIZE A		SCALE NA		