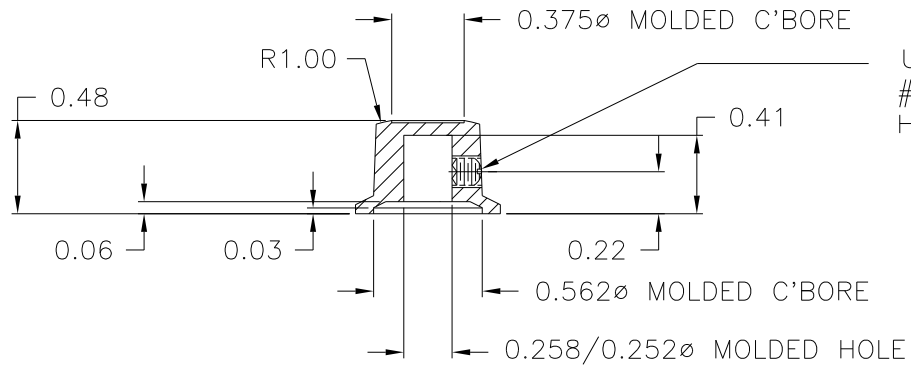
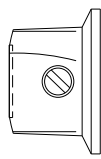
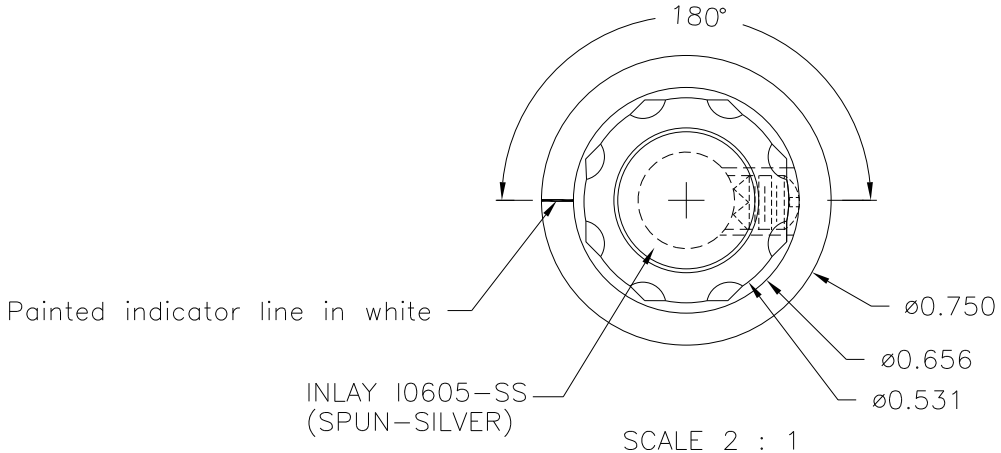


PART NAME: KNOB      SCALE: 1:1      DATE: 9/2/97      DR. BY HD

DAVIES MOLDING COMPANY  
CAROL STREAM, ILLINOIS 60188

P/N	1910CV
BASE PART	1910-08
SET SCREW	I0020
INLAY	I0605SS

THIS DRAWING IS THE PROPERTY OF DAVIES MOLDING COMPANY, IS SUBMITTED SOLELY AS A DESIGN OR ENGINEERING PROJECT. WE ACCEPT NO RESPONSIBILITY WHATSOEVER FOR THE PRACTICAL APPLICATION OF THE PIECES MADE TO THIS DESIGN.



USE # 28 DR.(.140), # 8-32 TAP.  
#8-32 x 1/8 LG. SLOTTED ,CUP POINTED,  
HEADLESS, SET SCREW, I0020

MATERIAL: G.P. PHENOLIC (B11)  
COLOR: BLACK

TOLERANCES: UNLESS OTHERWISE SPECIFIED	DO NOT SCALE DRAWING		
DECIMALS: X.XXX ± .005 X.XX ± .015	MM: X.XX ± 0.15MM X.X ± 0.4MM	-	UPDATED/HAD TOOLBOX
FRACTIONS ± 1/64	ANG. ± 1°	EV.	8/15/02
CHANGES			