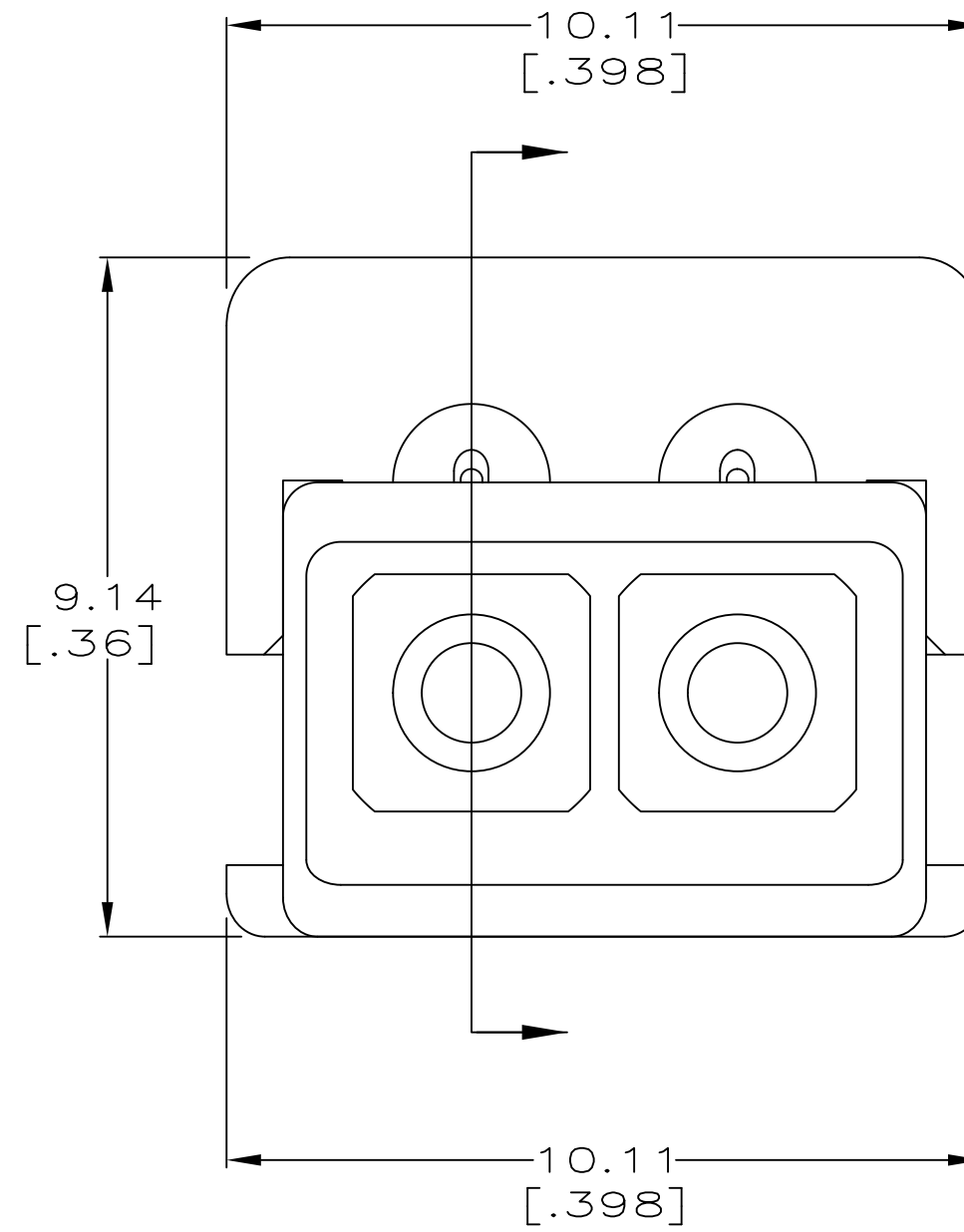
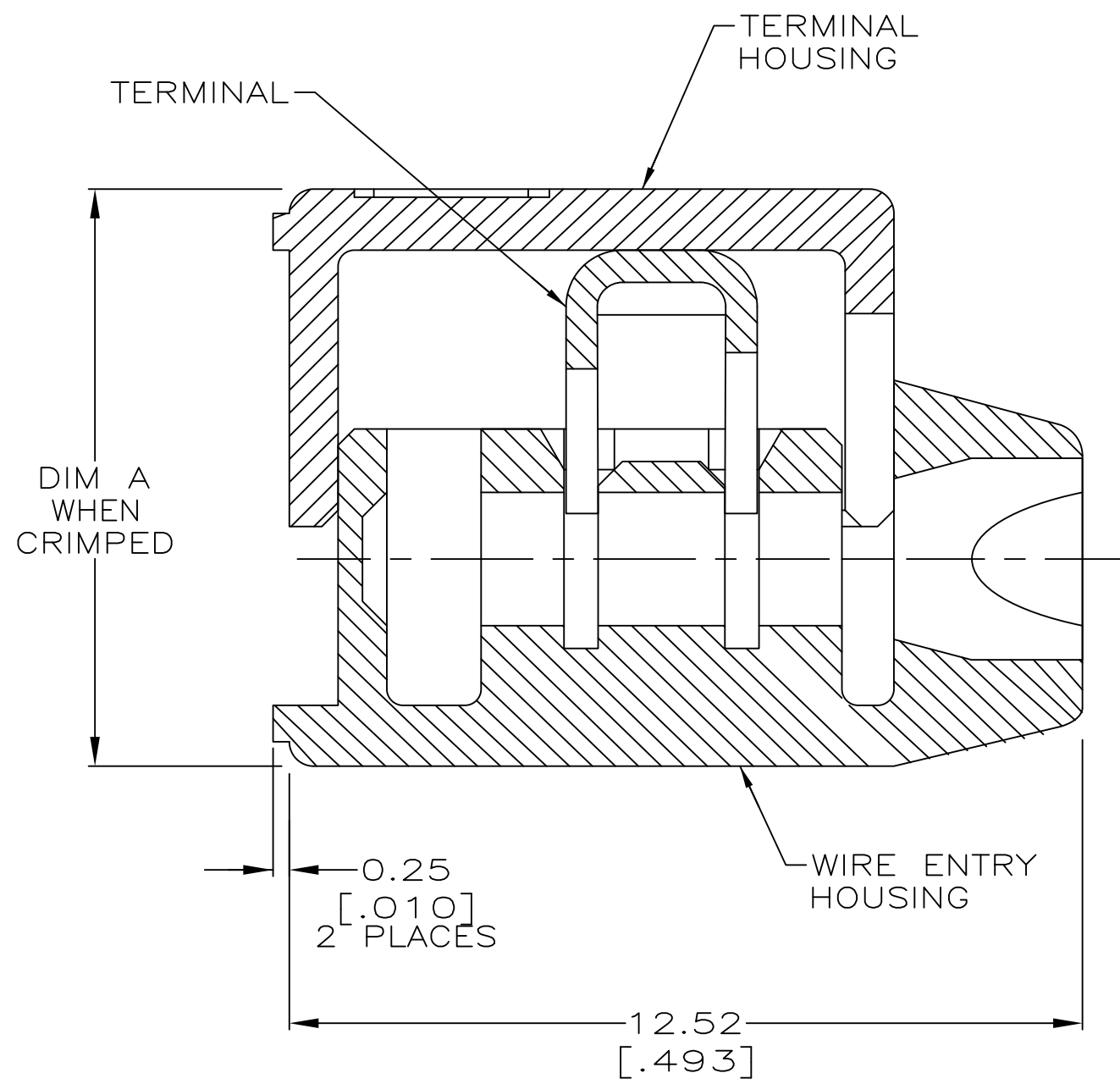


THIS DRAWING IS UNPUBLISHED. RELEASED FOR PUBLICATION
 © 2016 Commscope, INC. Confidential NOTICE: These drawings and specifications are the proprietary property of COMMSCOPE, INC. and may be used only for the specific purpose authorized in writing by COMMSCOPE, INC.

LOC	DIST	REVISIONS					
HM	00	P	LTR	DESCRIPTION	DATE	DWN	APVD
		P		REV-EC 0340-0004-04	24FEB04	LH	AK
		R		REV ECD-06-026329	19JAN07	LH	NJ
		T		ECN8000019699 REBRANDING	31JAN2017	JUM	ARL

- 1 ALL DIMENSIONS SHOWN ARE MAXIMUM UNLESS OTHERWISE SPECIFIED.
- 2 MATERIAL:
HOUSINGS – POLYCARBONATE, FLAME RETARDANT, CLEAR.
TERMINALS – TIN PLATED PHOS BRONZE.
- 3. WIRE RANGE: 19–26 AWG SOLID COPPER CONDUCTORS.
- 4 TEL-SPLICE ASSEMBLIES WITHOUT SEALANT (UNFILLED) SHALL BE YELLOW.



6.65 [.262]	24–26
7.01 [.276]	19–22
DIM A	WIRE AWG

100/BOX	FILLED	1–553395–2
100/BOX	UNFILLED 4	1–553395–1
1000/BOX	FILLED	553395–3
BULK	UNFILLED 4	553395–2
PACKAGED	DESCRIPTION	PART NUMBER

THIS DRAWING IS A CONTROLLED DOCUMENT.		DWN G. GARRETH 04OCT2002	COMMSCOPE, INC.	
DIMENSIONS: mm [INCHES]		CHK L. SMITH 29AUG2002		
TOLERANCES UNLESS OTHERWISE SPECIFIED:		APVD A. KINKA 29AUG2002	NAME TEL-SPLICE ASSEMBLY, 2 WIRE, FLAME RETARANT	
0 PLC ± -		PRODUCT SPEC	SIZE A2	CAGE CODE -
1 PLC ± - 1		APPLICATION SPEC	DRAWING NO C=553395	RESTRICTED TO -
2 PLC ± -		WEIGHT -	SCALE 10:1	SHEET 1 of 1
3 PLC ± -		CUSTOMER DRAWING	REV T	
4 PLC ± -				
ANGLES ± -				
FINISH				
MATERIAL - 2				

553395

B

A