

1 2 3 4 5 6

A

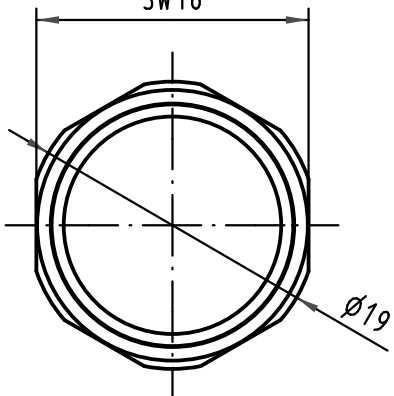
B

C

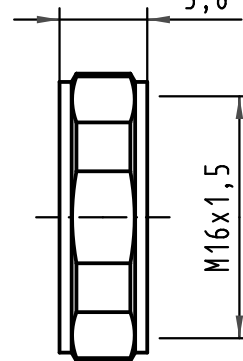
D

width across flats 18

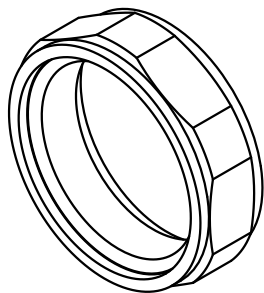
SW18



5,8



M16x1,5



| | | | | | | | | |
|---|----------|------|-----------------------------------|----------|------|---|--|-------------|
| All Dimensions in mm Original Size DIN A 4 | | | Techn. Character. | | | Nicht tolerierte Maßel Free size tolerances | | |
| | | | | Dat. | Name | Maßstab/Scale 2:1 | Kontermutter M16x1,5 - Metall locking nut M16x1,5 - metal | |
| | | | Detail. | 31.01.07 | DY | | | |
| | | | Insp. | | SR | | | |
| EC02324 | 09.09.10 | Bus. | Stand. | | | | | |
| 413052 | 16.07.07 | DY | HARTING Electronics GmbH & Co. KG | | | | TB 21 01 000 0018 | |
| 412682 | | | D-32339 ESPELKAMP | | | | | |
| Mod. | Dat. | Name | | | | | | |
| | | | | | | | Sub. | Blatt/ page |