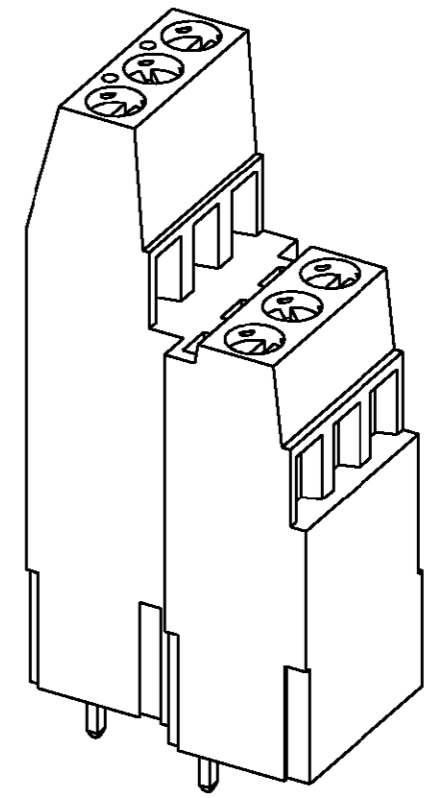
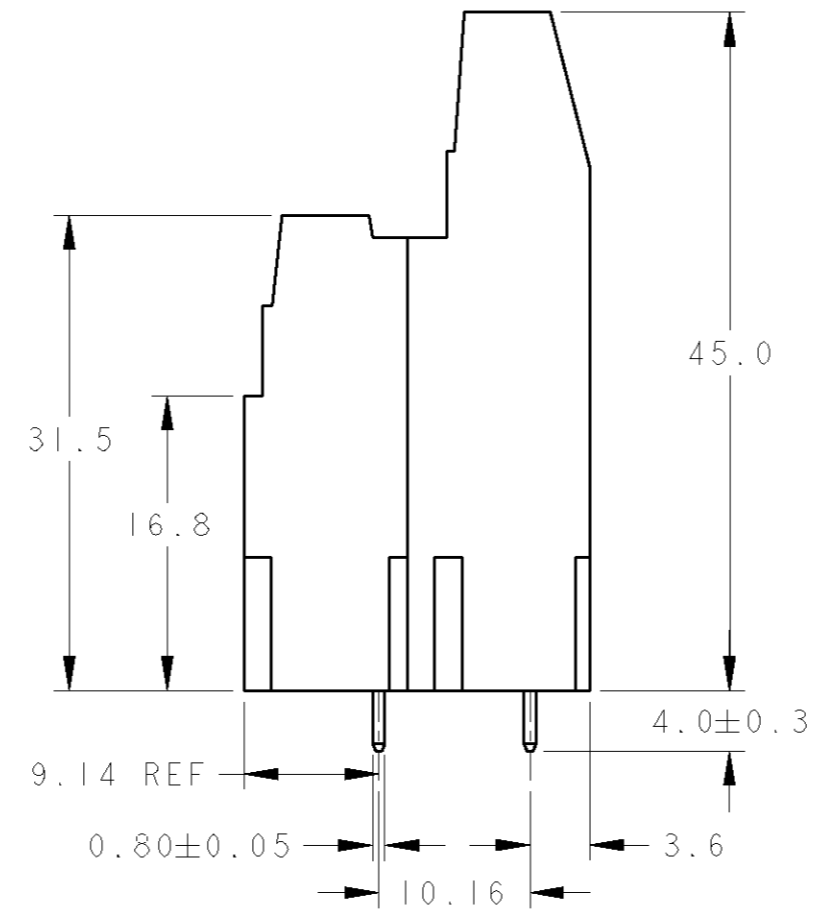
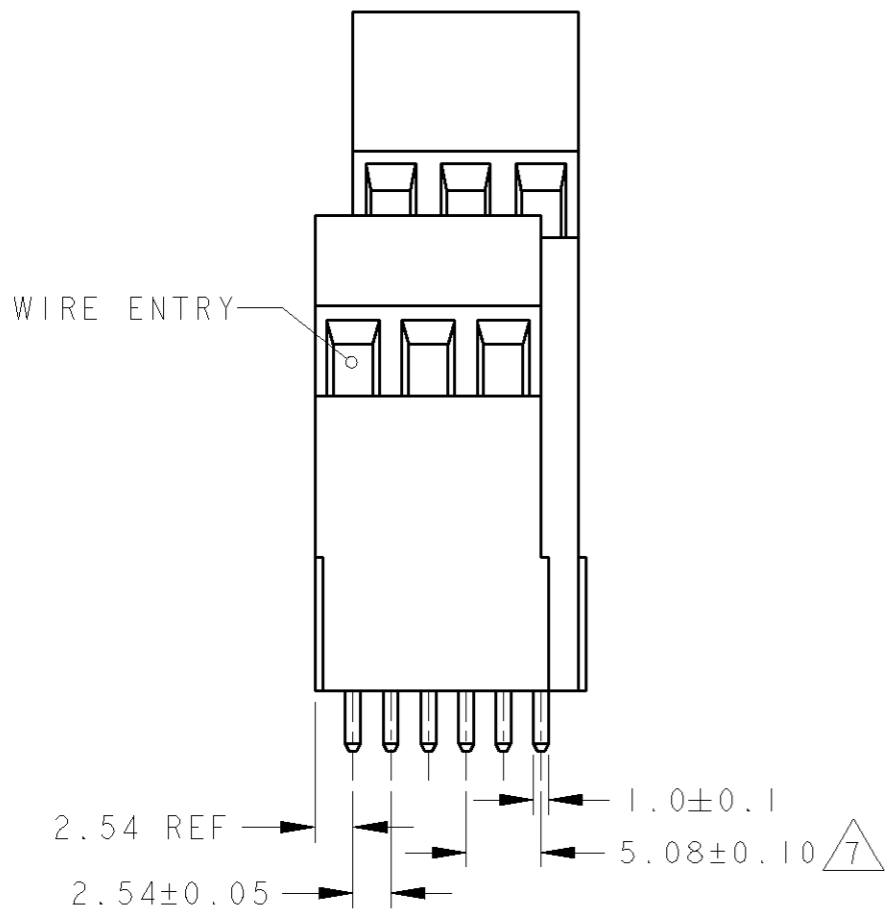
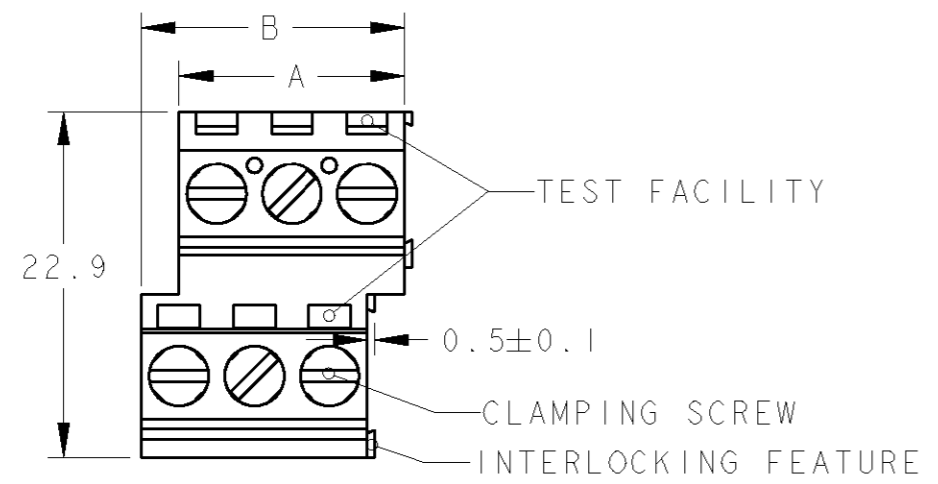


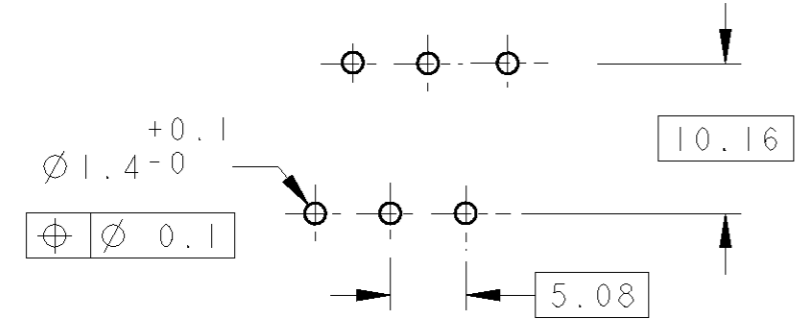
THIS DRAWING IS UNPUBLISHED. RELEASED FOR PUBLICATION 20  
 © COPYRIGHT 20 BY TYCO ELECTRONICS CORPORATION. ALL RIGHTS RESERVED.

LOC	DIST	REVISIONS				
P	LTR	DESCRIPTION	DATE	DWN	APVD	
		C	REVISED PER 0G3B-0119-01	20DEC2001	EZ	DB
		D	REVISED EC 0G3B-0199-02	04JUN2003	SW	CR



282913-3 AS SHOWN

RECOMMENDED PC BOARD LAYOUT



MATERIAL COLOR	B	A	NO OF POSN	PART NUMBER
GRAY	17.78	15.24	3	1-282913-3
GREEN	17.78	15.24	3	282913-3
GREEN	12.70	10.16	2	282913-2

THIS DRAWING IS A CONTROLLED DOCUMENT FOR TYCO ELECTRONICS CORPORATION IT IS SUBJECT TO CHANGE AND THE CONTROLLING ENGINEERING ORGANIZATION SHOULD BE CONTACTED FOR THE LATEST REVISION.

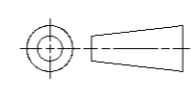
DIMENSIONS: mm	TOLERANCES UNLESS OTHERWISE SPECIFIED: 0 PLC ±.3 1 PLC ±.3 2 PLC ±.25 3 PLC ±. 4 PLC ±. ANGLES ±2	DWN 20DEC2001 E. ZANOLINI CHK 20DEC2001 D. BIEVENOUR APVD 20DEC2001 D. BIEVENOUR	<b>BUCHANAN</b> Tyco Electronics Harrisburg, PA 17105-3608 NAME TERMINAL BLOCK, PCB MOUNT 2ND AND 3RD LEVEL STACKING W/INTERLOCK, 5.08mm PITCH
MATERIAL	FINISH	PRODUCT SPEC 108-20166 APPLICATION SPEC 114-20079 WEIGHT -	

CUSTOMER DRAWING SCALE 2:1 SHEET 1 OF 2 REV D

THIS DRAWING IS UNPUBLISHED. RELEASED FOR PUBLICATION 20  
 © COPYRIGHT 20 BY TYCO ELECTRONICS CORPORATION. ALL RIGHTS RESERVED.

LOC	DIST	REVISIONS			
P	LTR	DESCRIPTION	DATE	DWN	APVD
		SEE SHEET 1	-	-	-

- 1 MATERIALS AND FINISH  
 HOUSING: PA 6-6, UL 94-V0, COLOR: SEE TABLE.  
 CLAMP: BRASS, NICKEL PLATED.  
 TERMINAL: BRASS, TIN PLATED.  
 CLAMPING SCREW: M3, BRASS, NICKEL PLATED.
  - 2 SUITABLE FOR 1,6-2,4mm PC BOARD THICKNESS.
  - 3 END-TO-END STACKABLE W/INTERLOCK WITHOUT LOSS OF CENTERLINE SPACING.
  - 4 WIRE SIZE RANGE  
 12 - 30 AWG
  - 5 RECOGNIZED UNDER THE COMPONENT PROGRAM OF UNDERWRITERS LABORATORIES INC. FILE N° E60677.
  - 6 IMQ CERTIFICATE WITH SURVEILLANCE IN CONFORMITY WITH IEC 998-1/998-2-1.
- 7 NOT CUMULATIVE TOLERANCE.

<small>THIS DRAWING IS A CONTROLLED DOCUMENT FOR TYCO ELECTRONICS CORPORATION          IT IS SUBJECT TO CHANGE AND THE CONTROLLING ENGINEERING ORGANIZATION          SHOULD BE CONTACTED FOR THE LATEST REVISION.</small>		DWN 20DEC2001 E. ZANOLINI		<b>BUCHANAN</b> Tyco Electronics Harrisburg, PA 17105-3608	
DIMENSIONS: mm		TOLERANCES UNLESS OTHERWISE SPECIFIED: 0 PLC ±- 1 PLC ±.3 2 PLC ±.25 3 PLC ±- 4 PLC ±- ANGLES ±2		CHR 20DEC2001 D. BIEVENOUR APVD 20DEC2001 D. BIEVENOUR	
		PRODUCT SPEC - APPLICATION SPEC - WEIGHT -		NAME TERMINAL BLOCK, PCB MOUNT 2ND AND 3RD LEVEL STACKING W/INTERLOCK, 5.08mm PITCH	
MATERIAL - FINISH -		CUSTOMER DRAWING		SIZE A3 CAGE CODE 00779 DRAWING NO C-282913 RESTRICTED TO - SCALE 3:1 SHEET 2 OF 2 REV D	