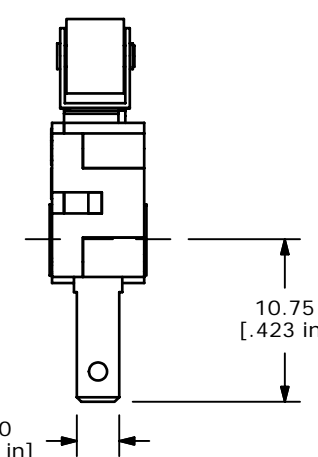
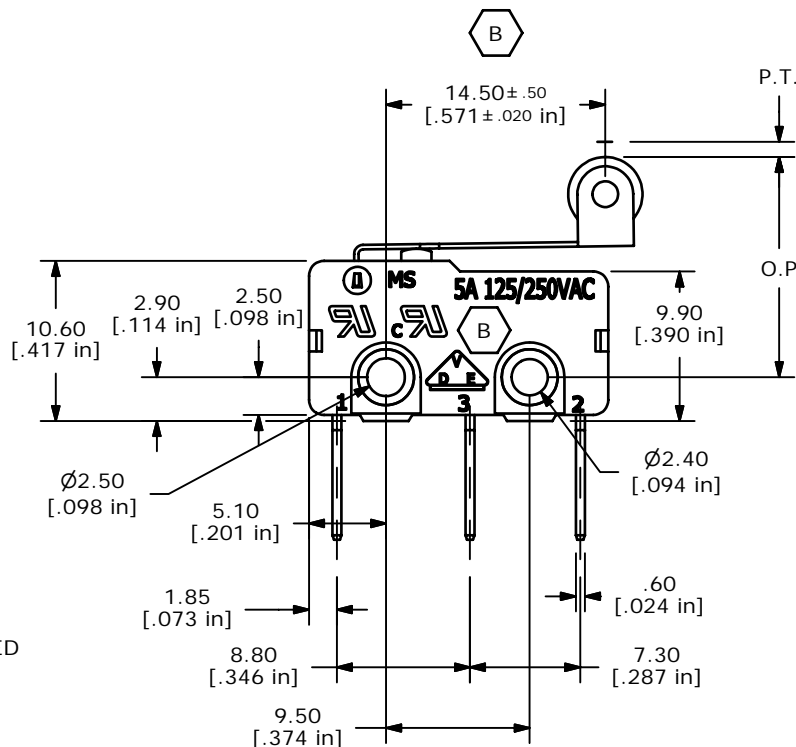
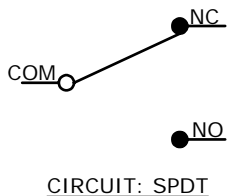


O.P. (MM)	P.T. (MM)
14.9±1.0	4.0 MAX

O.P. = OPERATING POINT  
P.T. = PRE-TRAVEL



NOTES:

- ALL DIMENSIONS IN MM [INCH]
- GENERAL TOLERANCE: X.X=±0.4  
X.XX=±0.25
- RATING: 5A @125/250VAC UL, CUL, VDE APPROVED
- ▲ OPERATING FORCE: 50±20 GRAMS
- OPERATING TEMP: -25°C TO 85°C
- ELECTRICAL LIFE: 50,000 CYCLES MIN.
- MECHANICAL LIFE: 1,000,000 CYCLES TYP.
- INSULATION RESISTANCE: 100 MEGA-OHMS
- DIELECTRIC STRENGTH: 1000VAC 1 MINUTE (INITIAL VALUE)
- CONTACT RESISTANCE: 100 MILLI-OHMS MAX.
- ▲ DENOTES CRITICAL PARAMETER.
- 2002/95/EC (ROHS) COMPLIANT

B	15665	CHANGES NOTED	1/5/06	PH
A	15229	RELEASED FOR PRODUCTION	8/31/2005	PH
REV	PCR NO	DESCRIPTION	DATE	BY

THE INFORMATION CONTAINED IN THIS DOCUMENT IS PROPRIETARY TO E-SWITCH AND IS NOT TO BE COPIED OR TRANSFERRED

<b>E-SWITCH®</b>				
TITLE MS0850505F050C1A				
SCALE	DATE	DR	DWG	REV
2:1	8/31/2005	PH	Q970032	B