

4

3

2

1

THIS DRAWING IS UNPUBLISHED.

RELEASED FOR PUBLICATION

- . - .

LOC

DIST

REVISIONS

© COPYRIGHT - By -

ALL RIGHTS RESERVED.

BD

35

P

LTR

DESCRIPTION

DATE

DWN

APVD

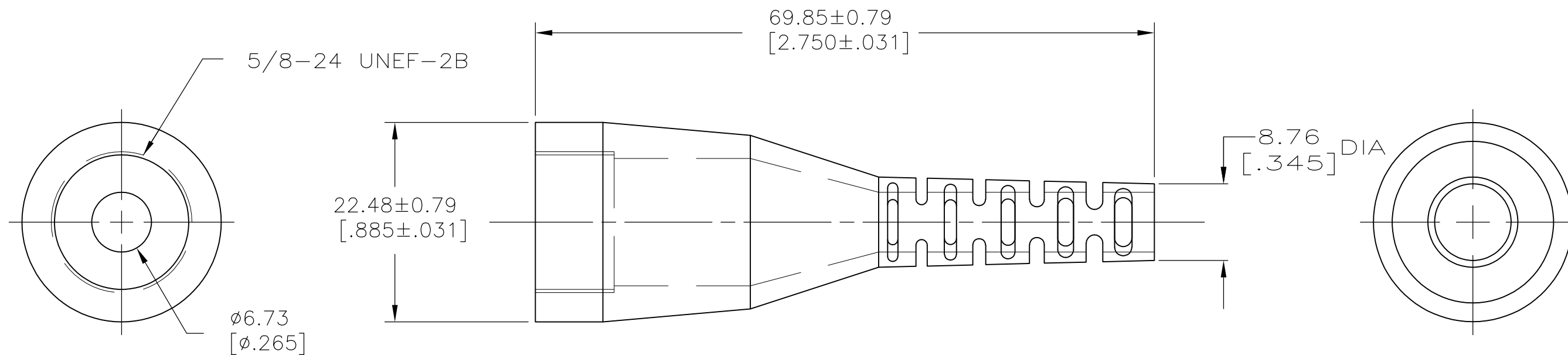
C1

REVISED PER ECO-11-005027

11MAR11

RK


HMR



1. CABLE RANGE IS 3.81 [.150] - 6.35 [.250] WHEN USED WITH CABLE GRIPPER P/N 207490-1.

207489-1

PART NO

THIS DRAWING IS A CONTROLLED DOCUMENT.		DWN M.BINNER 07/29/94	 TE Connectivity	
DIMENSIONS: mm [INCHES]		CHK R.STONE 8-8-94		
TOLERANCES UNLESS OTHERWISE SPECIFIED:		APVD A.FRANTUM 8-9-94	NAME CABLE BOOT, FLEXIBLE, SIZE II, CPC	
0 PLC ± - 1 PLC ± - 2 PLC ± 0.13 [.005] 3 PLC ± - 4 PLC ± - ANGLES ± -		PRODUCT SPEC -	RESTRICTED TO -	
MATERIAL THERMOPLASTIC COLOR: BLACK		FINISH -	APPLICATION SPEC -	SIZE A3
		WEIGHT -	CAGE CODE 00779	DRAWING NO C-207489
		CUSTOMER DRAWING	SCALE 2:1	SHEET 1 OF 1
			REV C1	