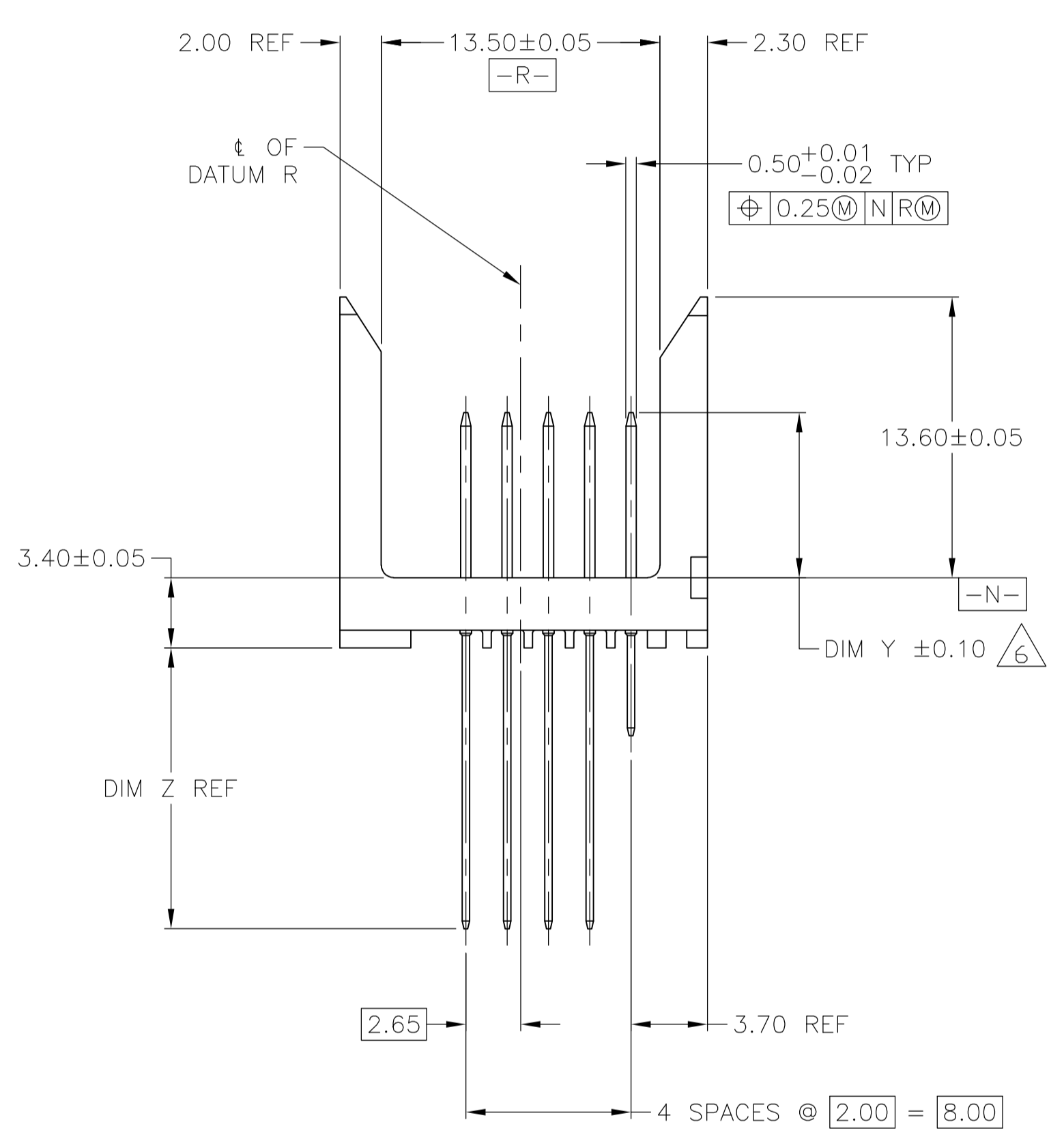
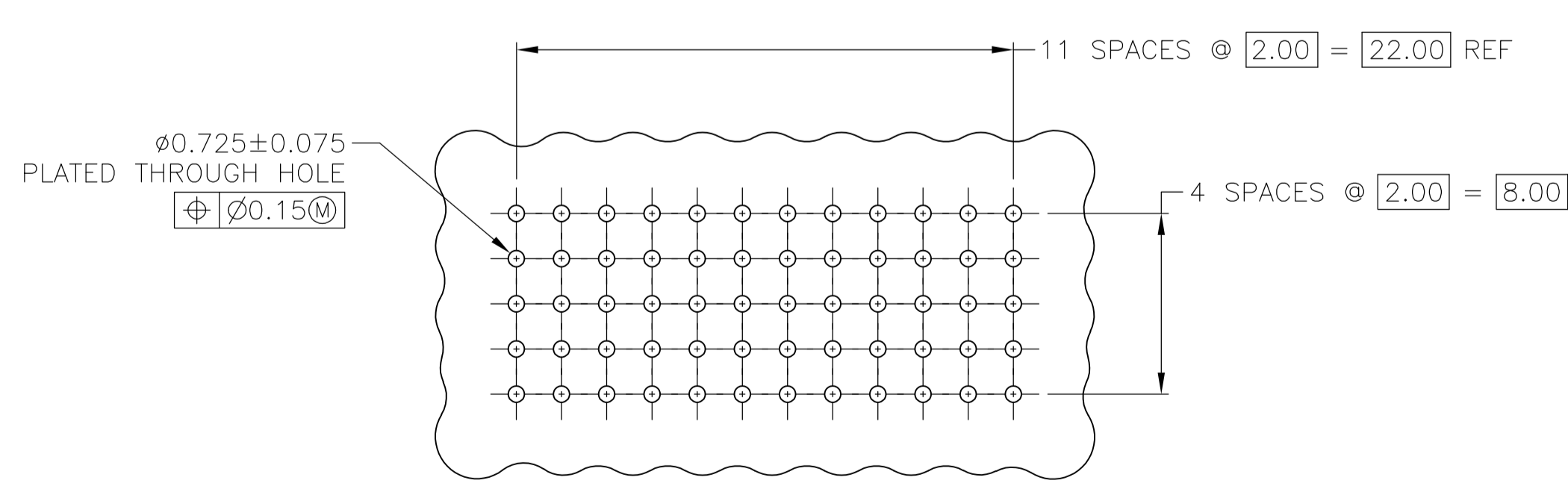


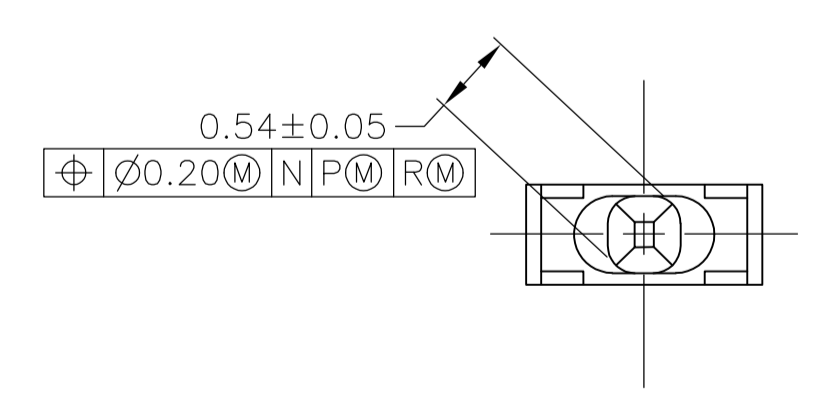
5223081-1 AS SHOWN



- 1 HOUSING MATERIAL: LIQUID CRYSTAL POLYMER, NATURAL.
- 2 CONTACT MATERIAL: PHOSPHOR BRONZE.
- 3 CONTACT FINISH:
 UNDERPLATE (ENTIRE CONTACT):
 0.00127 MIN NICKEL PER SAE-AMS-QQ-N-290
 ON MATING SURFACES:
 CONFORMS TO ALL TESTING SPECIFIED FOR TELCORDIA
 UNCONTROLLED ENVIRONMENT.
 ON LEADS:
 0.0006 MIN MATTE TIN PER ASTM B 545 OVER UNDERPLATE.
 LUBRICATION (MIN MATING SURFACES):
 SURFACE CONDITIONER AFTER PLATING.
- 4 PART MARKING, LOCATED APPROXIMATELY AS SHOWN.
- 5. SEE SHEET 2 FOR SEQUENCING CHARTS.
- 6 DIMENSION APPLIES WHEN SEATED ON PRINTED CIRCUIT BOARD.
- 7 SEE RESTRICTED CUSTOMER DRAWING.



RECOMMENDED CIRCUIT PATTERN
(COMPONENT SIDE)



VIEW Z-Z
SCALE 20:1

| | |
|---------------------------|-------------|
| | 6-5223081-0 |
| OBSOLETE | 5-5223081-9 |
| | 5-5223081-7 |
| OBSOLETE | 5-5223081-6 |
| OBSOLETE | 5-5223081-0 |
| OBSOLETE | 4-5223081-9 |
| | 4-5223081-8 |
| OBSOLETE | 4-5223081-6 |
| SUPERCEDED BY 4-1705989-3 | 4-5223081-3 |
| | 3-5223081-5 |
| OBSOLETE | 3-5223081-2 |
| | 3-5223081-1 |
| OBSOLETE | 3-5223081-0 |
| OBSOLETE | 2-5223081-9 |
| OBSOLETE | 2-5223081-8 |
| OBSOLETE | 2-5223081-6 |
| | 2-5223081-4 |
| OBSOLETE | 1-5223081-2 |
| OBSOLETE | 1-5223081-1 |
| OBSOLETE | 1-5223081-0 |
| OBSOLETE | 5223081-9 |
| | 5223081-8 |
| OBSOLETE | 5223081-7 |
| OBSOLETE | 5223081-6 |
| OBSOLETE | 5223081-5 |
| OBSOLETE | 5223081-4 |
| | 5223081-3 |
| | 5223081-2 |
| OBSOLETE | 5223081-1 |
| | PART NUMBER |

| | | | | |
|--|--------|-------------------------|--|------------|
| THIS DRAWING IS A CONTROLLED DOCUMENT. | | DIN B MCMMASTER 130EC04 | Tyco Electronics Corporation | |
| DIMENSIONS: mm | | CHK R WERTZ 130EC04 | Shanghai, P.R.China, 200233 | |
| TOLERANCES UNLESS OTHERWISE SPECIFIED: | | APVD R WERTZ 130EC04 | NAME | |
| 0 PLC | ± - | PRODUCT SPEC | PIN ASSEMBLY, Z-PACK 2mm FB, SIGNAL, VERTICAL, 5 ROW, 60 POSITION, PRESS FIT LEADS, W/SEQUENCING | |
| 1 PLC | ± - | APPLICATION SPEC | SIZE | CAGE CODE |
| 2 PLC | ± 0.13 | | A1 | 00779 |
| 3 PLC | ± - | | SCALE | DRAWING NO |
| 4 PLC | ± - | | 4:1 | 5223081 |
| ANGLES | ± - | RESTRICTED TO | | |
| MATERIAL | FINISH | WEIGHT | | |
| | | | | |
| CUSTOMER DRAWING | | SHEET | 1 OF 2 | REV |
| | | SCALE | 4:1 | REV |

