



LAYOUT SHOWN AS EXAMPLE

Keying Shown as example

**CHARACTERISTICS**

- Standard : Based on MIL-DTL-38999 Series III
- Shell Material : Aluminium
- Shell Plating : Nickel
- Insulator : Thermoplastic
- Contacts : Copper Alloy
- Seals & Grommet : Silicon Elastomer
- Contact Plating : Gold over copper Alloy 0.8µm minimum
- Durability : 500 Mating cycles
- Delivered with Souriau contacts and Accessories
- Temperature Range : -65°C to +200°C
- Salt Spray : 48 hours
- Mass : 64.63 g ± 10%

Connector dimension	
Dim	Nominal
A	58.7±0.3
B	42.85+0.1/-0.15
R	32.5Max
S	55.6±0.4
W	3+0.9/-0.1
VV THREAD	M37x1-6g

SOURIAU shall not be liable for any non-conformity or damage due to a use of the Products which does not comply with the Specifications issued by either of the Parties or by a third party (professional recommendation, technical notice.)

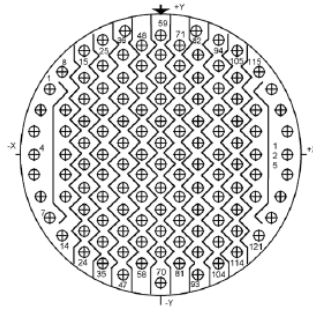
Country	Jurisdiction & Control List
FR	Not Listed

**PN: 8D725F35PA**

A	03-10-2016	First Release	
ISS	DATE	Latest modification - by	MOD N°
Designed By:		Date:	<b>CUSTOMER DRAWING</b>
<b>TITLE</b>	<b>Aluminium Receptacle 8D series</b>		
SCALE		General linear Tolerances:	NPRDS / PROJECT
NA		±--	<b>859</b>
<b>SOURIAU</b>	<b>WWW.SOURIAU.COM</b>		This document is the property of SOURIAU it must not be reproduced or communicated without permission
FORMAT	<b>SOURIAU DRG N° 8D725F35PA-C</b>		SHEET
<b>A3</b>			<b>1/2</b>

BASIC SERIES:	8D	7	-	25	F	35	P	A	ORIENTATION : A
SHELL TYPE :	Jam nut Receptacle								CONTACT TYPE : PIN(500 Matings)
CONTACT TYPE :	Standard Crimp Contact								CONTACT LAYOUT : 25-35
SHELL SIZE :	25								
PLATING :	F = Nickel								

Contact Layout



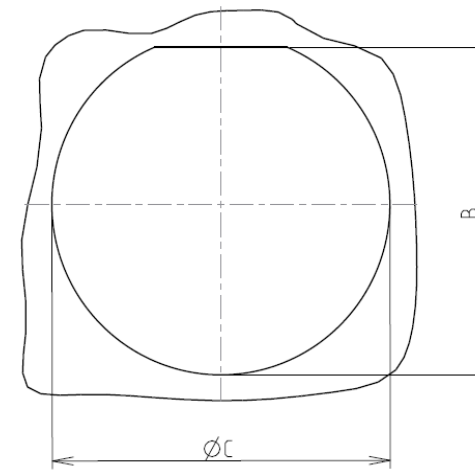
Contacts (Insert arrangement 25-35)					
Contact position ID	Location		Contact position ID	Location	
	X-axis (mm)	Y-axis (mm)		X-axis (mm)	Y-axis (mm)
1	-479 (12.17)	+279 (7.09)	65	+000 (0.00)	-.047 (1.19)
2	-520 (13.21)	+190 (4.83)	66	+000 (0.00)	-.142 (3.61)
3	-.546 (13.87)	+095 (2.41)	67	+000 (0.00)	-.237 (6.02)
4	-.555 (14.10)	+000 (0.00)	68	+000 (0.00)	-.332 (8.43)
5	-.546 (13.87)	-.095 (2.41)	69	+000 (0.00)	-.427 (10.85)
6	-.520 (13.21)	-.190 (4.83)	70	+000 (0.00)	-.555 (14.10)
7	-.479 (12.17)	-.279 (7.09)	71	+083 (2.11)	+475 (12.07)
8	-.424 (10.77)	+357 (9.07)	72	+083 (2.11)	+380 (9.65)
9	-.415 (10.54)	+190 (4.83)	73	+083 (2.11)	+285 (7.24)
10	-.415 (10.54)	+095 (2.41)	74	+083 (2.11)	+190 (4.83)
11	-.415 (10.54)	000 (0.00)	75	+083 (2.11)	+095 (2.41)
12	-.415 (10.54)	-.095 (2.41)	76	+083 (2.11)	+000 (0.00)
13	-.415 (10.54)	-.190 (4.83)	77	+083 (2.11)	-.095 (2.41)
14	-.424 (10.77)	-.357 (9.07)	78	+083 (2.11)	-.190 (4.83)
15	-.332 (8.43)	+444 (11.28)	79	+083 (2.11)	-.285 (7.24)
16	-.332 (8.43)	+332 (8.43)	80	+083 (2.11)	-.380 (9.65)
17	-.332 (8.43)	+237 (6.02)	81	+083 (2.11)	-.475 (12.07)
18	-.332 (8.43)	+142 (3.61)	82	+160 (4.06)	+531 (13.49)
19	-.332 (8.43)	+047 (1.19)	83	+166 (4.22)	+427 (10.85)
20	-.332 (8.43)	-.047 (1.19)	84	+166 (4.22)	+332 (8.43)
21	-.332 (8.43)	-.142 (3.61)	85	+166 (4.22)	+237 (6.02)
22	-.332 (8.43)	-.237 (6.02)	86	+166 (4.22)	+142 (3.61)
23	-.332 (8.43)	-.332 (8.43)	87	+166 (4.22)	+047 (1.19)
24	-.332 (8.43)	-.427 (10.85)	88	+166 (4.22)	-.047 (1.19)
25	-.249 (6.32)	+496 (12.60)	89	+166 (4.22)	-.142 (3.61)
26	-.249 (6.32)	+380 (9.65)	90	+166 (4.22)	-.237 (6.02)
27	-.249 (6.32)	+285 (7.24)	91	+166 (4.22)	-.332 (8.43)
28	-.249 (6.32)	+190 (4.83)	92	+166 (4.22)	-.427 (10.85)
29	-.249 (6.32)	+095 (2.41)	93	+166 (4.22)	-.522 (13.26)
30	-.249 (6.32)	+000 (0.00)	94	+249 (6.32)	+496 (12.60)
31	-.249 (6.32)	-.095 (2.41)	95	+249 (6.32)	+380 (9.65)
32	-.249 (6.32)	-.190 (4.83)	96	+249 (6.32)	+285 (7.24)
33	-.249 (6.32)	-.285 (7.24)	97	+249 (6.32)	+190 (4.83)
34	-.249 (6.32)	-.380 (9.65)	98	+249 (6.32)	+095 (2.41)
35	-.249 (6.32)	-.475 (12.07)	99	+249 (6.32)	+000 (0.00)
36	-.166 (4.22)	+531 (13.49)	100	+249 (6.32)	-.095 (2.41)
37	-.166 (4.22)	+427 (10.85)	101	+249 (6.32)	-.190 (4.83)
38	-.166 (4.22)	+332 (8.43)	102	+249 (6.32)	-.285 (7.24)
39	-.166 (4.22)	+237 (6.02)	103	+249 (6.32)	-.380 (9.65)
40	-.166 (4.22)	+142 (3.61)	104	+249 (6.32)	-.475 (12.07)
41	-.166 (4.22)	+047 (1.19)	105	+332 (8.43)	+444 (11.28)
42	-.166 (4.22)	-.047 (1.19)	106	+332 (8.43)	+332 (8.43)
43	-.166 (4.22)	-.142 (3.61)	107	+332 (8.43)	+237 (6.02)
44	-.166 (4.22)	-.237 (6.02)	108	+332 (8.43)	+142 (3.61)
45	-.166 (4.22)	-.332 (8.43)	109	+332 (8.43)	+047 (1.19)
46	-.166 (4.22)	-.427 (10.85)	110	+332 (8.43)	-.047 (1.19)
47	-.166 (4.22)	-.522 (13.26)	111	+332 (8.43)	-.142 (3.61)
48	-.083 (2.11)	+475 (12.07)	112	+332 (8.43)	-.237 (6.02)
49	-.083 (2.11)	+380 (9.65)	113	+332 (8.43)	-.332 (8.43)
50	-.083 (2.11)	+285 (7.24)	114	+332 (8.43)	-.427 (10.85)
51	-.083 (2.11)	+190 (4.83)	115	+424 (10.77)	+357 (9.07)
52	-.083 (2.11)	+095 (2.41)	116	+415 (10.54)	+190 (4.83)
53	-.083 (2.11)	+000 (0.00)	117	+415 (10.54)	+095 (2.41)
54	-.083 (2.11)	-.095 (2.41)	118	+415 (10.54)	+000 (0.00)
55	-.083 (2.11)	-.190 (4.83)	119	+415 (10.54)	-.095 (2.41)
56	-.083 (2.11)	-.285 (7.24)	120	+415 (10.54)	-.190 (4.83)
57	-.083 (2.11)	-.380 (9.65)	121	+424 (10.77)	-.357 (9.07)
58	-.083 (2.11)	-.475 (12.07)	122	+479 (12.17)	+279 (7.09)
59	+000 (0.00)	+522 (13.26)	123	+520 (13.21)	+190 (4.83)
60	+000 (0.00)	+427 (10.85)	124	+546 (13.87)	+095 (2.41)
61	+000 (0.00)	+332 (8.43)	125	+555 (14.10)	+000 (0.00)
62	+000 (0.00)	+237 (6.02)	126	+546 (13.87)	-.095 (2.41)
63	+000 (0.00)	+142 (3.61)	127	+520 (13.21)	-.190 (4.83)
64	+000 (0.00)	+047 (1.19)	128	+479 (12.17)	-.279 (7.09)

(Applicable to MIL-DTL-38999 only)

Shell size	Arrangement no.	Number of contacts	Size contacts	Service rating	Contact location	Supersedes
25	-35	128	22D	M	All	MS27533-35

Panel cutout

JAM NUT RECEPTACLE (TYPE 7)



Dim	Nominal
B	43.43+0/-0.25
ØC	44.7+0.25/-0

SOURIAU shall not be liable for any non-conformity or damage due to a use of the Products which does not comply with the Specifications issued by either of the Parties or by a third party (professional recommendation, technical notice.)

Country	Jurisdiction & Control List
FR	Not Listed

PN: 8D725F35PA

A	03-10-2016	First Release	
ISS	DATE	Latest modification - by	MOD N°
Designed By:		Date:	CUSTOMER DRAWING
<b>TITLE</b>		Aluminium Receptacle 8D series	
SCALE		General linear Tolerances: ±--	NPRDS / PROJECT <b>859</b>
<b>SOURIAU</b>		WWW.SOURIAU.COM	
FORMAT		SOURIAU DRG N° 8D725F35PA-C	
A3		SHEET 2/2	
This document is the property of SOURIAU it must not be reproduced or communicated without permission			