

SUMMARY



Image is for illustrative purpose only

Wires

Low	0
High	0
Coax	1
Triax	0
Quad	0
Fiber	0
Fluidic	0

Download

[Request a quote](#)

[Catalog](#)

Series	00
Termination type	Female solder
IP rating	68
Cable Ø	0.00 - 0.00 mm
Matching parts	
Status	
Alternative part	

TECHNICAL DETAILS

Mechanics

Shell Style/Model	EWF*: Fixed receptacle, nut fixing, vacuum-tight (back panel mounting)
Keying	Circular (can rotate)
Housing Material	Brass (chrome plated) shell and collet nut, nickel plated brass latch sleeve and mid pieces
Cable Fixing	∅ 0 - 0 mm
Variant	PV : Watertight / Vacuum-tested

Performance

Configuration	0.25 : 1 Coax (50 Ohm)
Insulator	T: PTFE
Rated Current	4 Amps

Specifications

Contact Type:	Coaxial 50 Ohm (Solder)
Max. Matings:	5000
Contact Dia.:	0.7 mm (0.028in)
Bucket Dia.:	0.6 mm (0.024in)
Test voltage:	2.1 kV (rms)
R (max):	6.1 mOhm

Vtest: 2100 V (AC), 3000 V (DC)

□

Impedance: 50 Ohm

VSWR: $1.09 + 0.11 * f/\text{GHz}$

Others

Endurance (Shell): 5000 mating cycles

F ret (min): 100 N

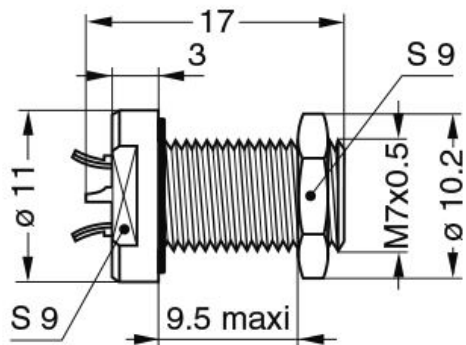
R leak (He) (max): 0.0000001 mbar*l/s (if vacuum-tested)

Pressure: 60 bars

IP Rating: 68

DRAWINGS

Draws



Dimensions

	A	L	Weight
mm.	10.3	17	4.2
in.	0,41	0,67	0,17

RECOMMENDED BY LEMO

Tools

None

Cables