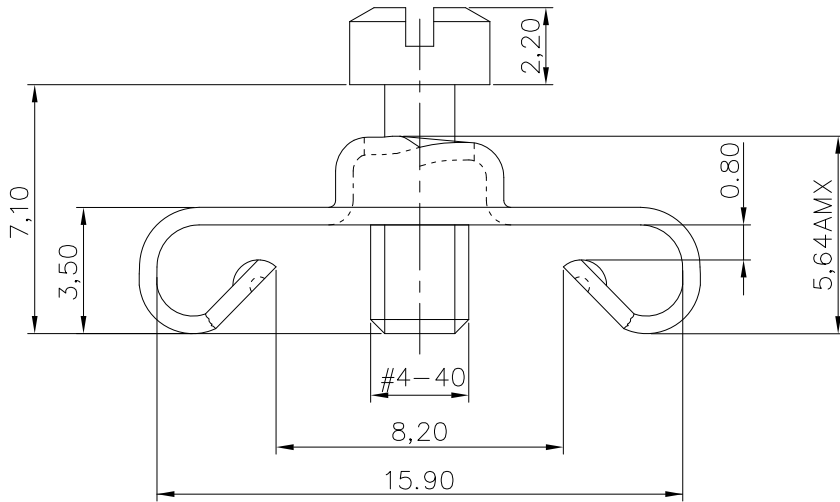
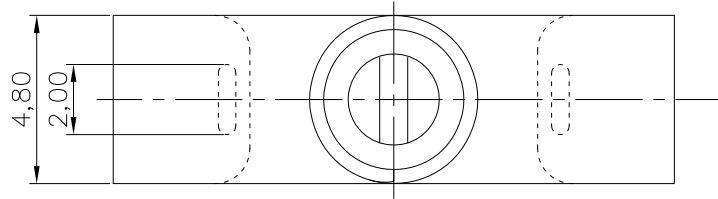


This document is the property of Amphenol Corporation and is delivered on the express condition that it is not to be disclosed, reproduced or used, in whole or in part, for manufacture or sale by anyone other than Amphenol Corporation without its prior consent, & that no right is granted to disclose or to use any information in this document.



Customer Drawing

REVISIONS				
SYM	ECN	DESCRIPTION	DATE	APPROVED
A		Original revision	12/12/07	IP
1		Revision change	07/07/10	IP
2		Clear information on revision change 1.Customer drawing revision 1, 2... WAS A,B... 2.Dim.s correction:8.20 WAS 6.50, 15.90 WAS 13.30 , 3.50 WAS 3.60	10/08/10	IP

D-SUB TECHNICAL DATA

MATERIAL : Steel 100u" min tin over 50u" min nickel

PACKAGE : Delivered separately

1 P/N : 10 sets

MARKING : Amphenol...(Series No.)

Commercial reference

Manufacturing date

PRODUCT CODE

L 17D20420EX

L: RoHS Compliance

X=10 lockings

UNLESS OTHERWISE SPECIFIED TOLERANCES		APPROVAL		DATE	Amphenol	
	U.S.	METRIC	DRAWN	Mary Ma		10/08/10
.X +/-	0.50		CHECKED	Mk.wang		10/08/10
.XX +/-	0.30		CHECKED			
.XXX +/-	0.20		DRAWING FILE :			TITLE
FRACTIONS +/-			ANGLE OF PROJECTION			Lock Accessory for D shell
ANGLES +/-	2°		REMOVE SHARP EDGES			SIZE DRAWING NO.
FOR MATERIALS AND FINISHES SEE NOTES			DIMENSIONS			A4
DIMENSIONS			U.S. INCHES			C L17D20420EX
U.S. INCHES			METRIC MM			SCALE NONE
METRIC MM			ANGLE OF PROJECTION			SHEET 1 OF 1
ANGLE OF PROJECTION			REV.			2