

Customer Information Sheet

DRAWING No.: M22-530XX05X

SHEET 3 OF 4

IF IN DOUBT - ASK

©

NOT TO SCALE

THIRD ANGLE PROJECTION

ALL DIMENSIONS IN mm

NOTES:

- FOR TAPE AND REEL DETAILS, SEE SHEET 4.
- ALL TOLERANCES ARE $\pm 0.15\text{mm}$, UNLESS OTHERWISE STATED.

ORDER CODE:

M22-530XX05X

No. OF CONTACTS PER ROW: _____
02, 03, 04, 05, 06, 10

PACKING: _____
BLANK = TUBE
R = TAPE AND REEL (SHEET 2)

SPECIFICATIONS:

MATERIAL:

MOULD = GLASS FILLED NYLON PA6T, UL94V-0
CONTACTS = PHOSPHOR BRONZE

FINISH:

0.02-0.025 μ GOLD OVER
0.76-1.27 μ NICKEL ALL OVER

ELECTRICAL:

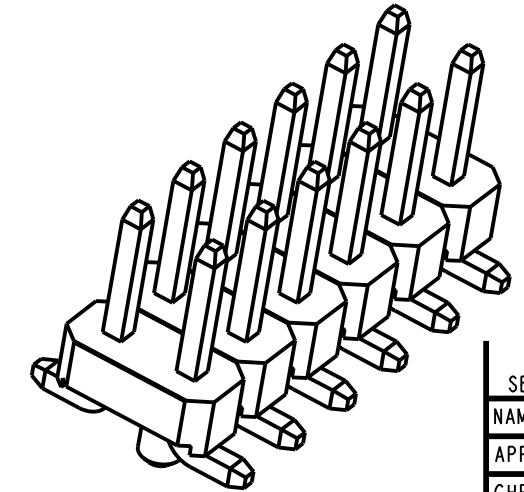
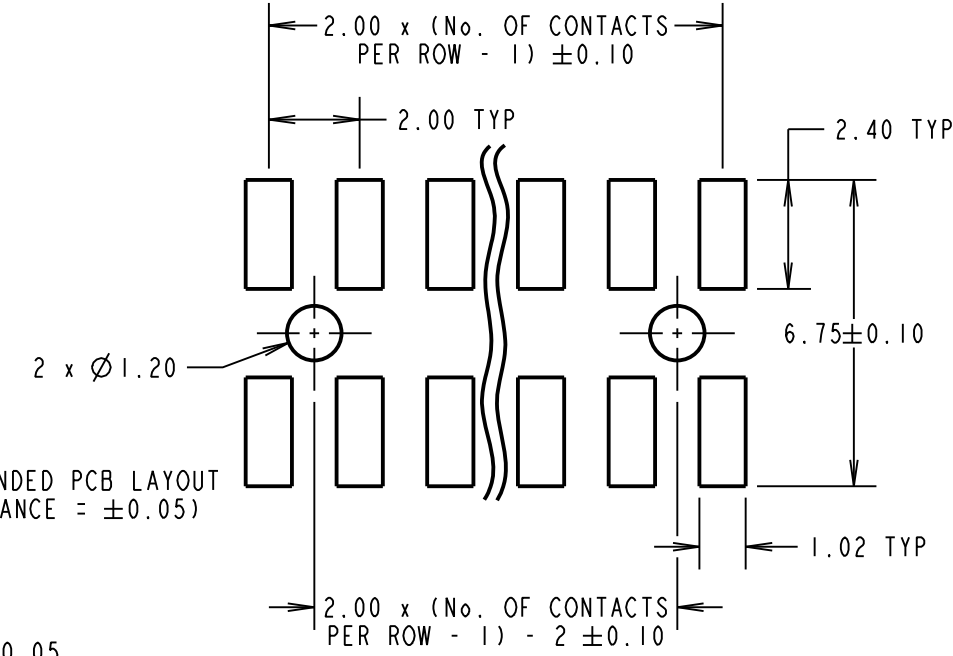
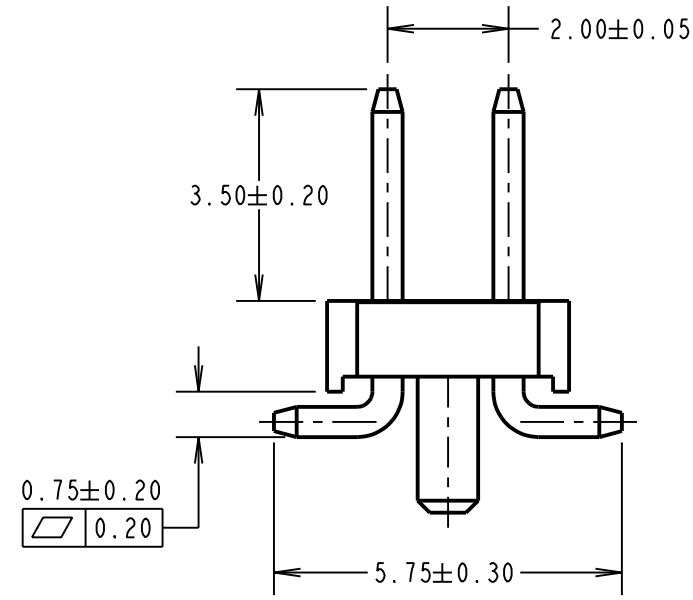
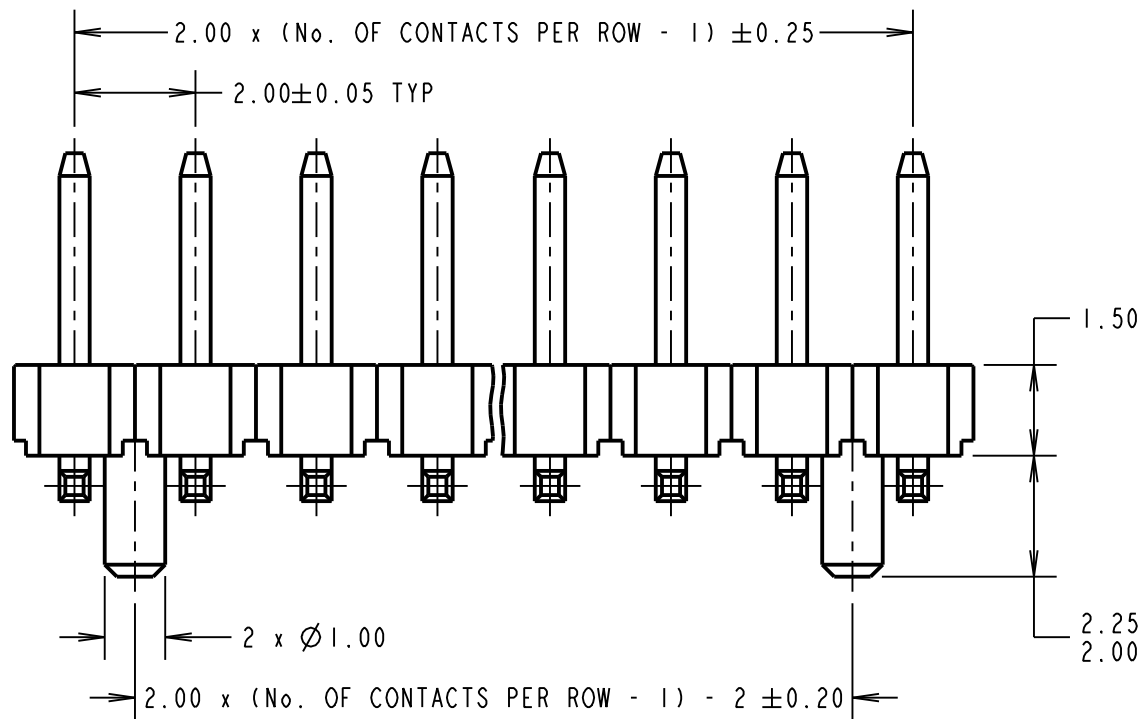
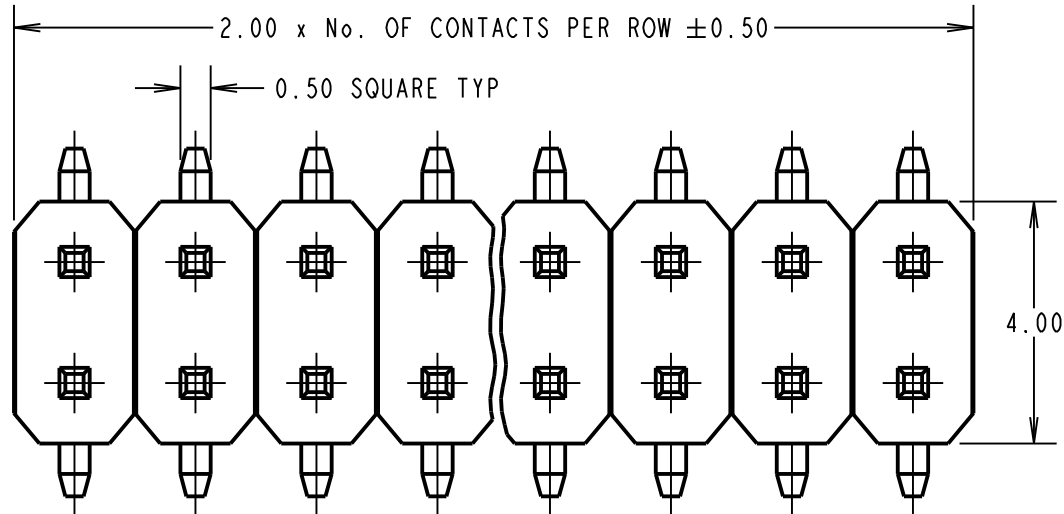
CURRENT RATING = 2A
CONTACT RESISTANCE = 20m Ω MAX
INSULATION RESISTANCE = 1000M Ω MIN
VOLTAGE PROOF = 500V AC FOR ONE MINUTE

MECHANICAL:

DURABILITY = 300 CYCLES

ENVIRONMENTAL:

OPERATING TEMPERATURE = -40°C TO +105°C



SB	1	09.05.16	-----
NAME	ISS.	DATE	C/NOTE
APPROVED:		S. BENNETT	
CHECKED:		M. PLESTED	
DRAWN:		S. BENNETT	
CUSTOMER REF.:			
ASSEMBLY DRG:			

HARWIN
www.harwin.com
technical@harwin.com

THIS DRAWING AND ANY INFORMATION OR DESCRIPTIVE MATTER SET OUT HEREON ARE CONFIDENTIAL AND COPYRIGHT PROPERTY OF THE HARWIN GROUP AND MUST NOT BE DISCLOSED, LOANED, COPIED OR USED FOR MANUFACTURING, TENDERING OR FOR ANY OTHER PURPOSE WITHOUT THEIR WRITTEN PERMISSION.

TOLERANCES

X	= $\pm 1\text{mm}$
X.X	= $\pm 0.50\text{mm}$
X.XX	= $\pm 0.10\text{mm}$
X.XXX	= $\pm 0.01\text{mm}$
ANGLES = $\pm 5^\circ$	
UNLESS STATED	

MATERIAL:	SEE ABOVE
FINISH:	SEE ABOVE
S/AREA:	mm ²

TITLE:	2.00mm PITCH DIL SMT PIN HEADER WITH PEGS
DRAWING NUMBER:	M22-530XX05X
SHT	3 OF 4

Customer Information Sheet

DRAWING No.: M22-530XX05X

SHEET 4 OF 4

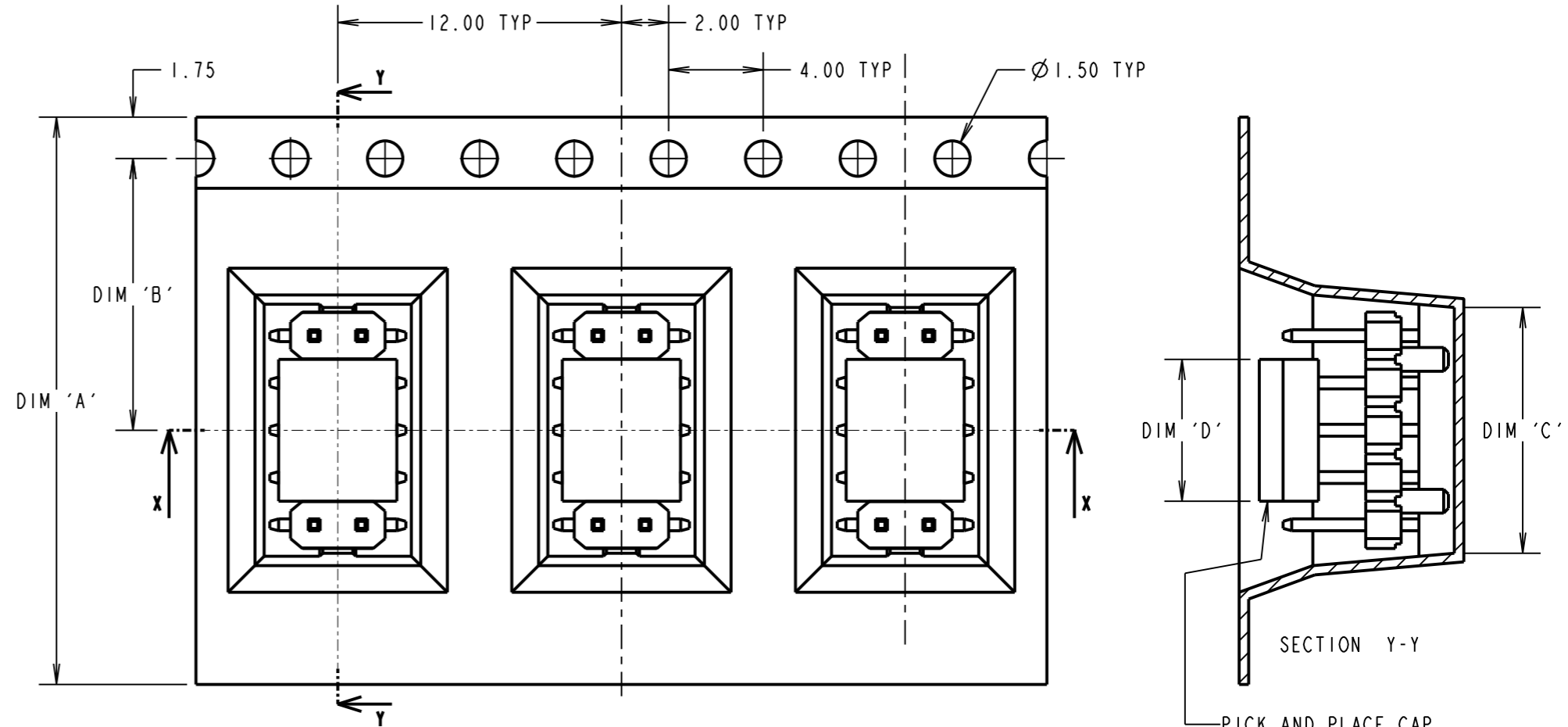
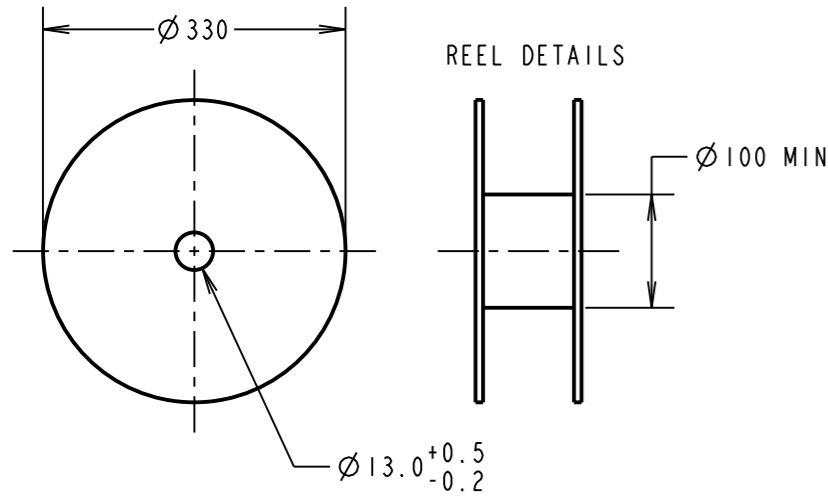
IF IN DOUBT - ASK

©

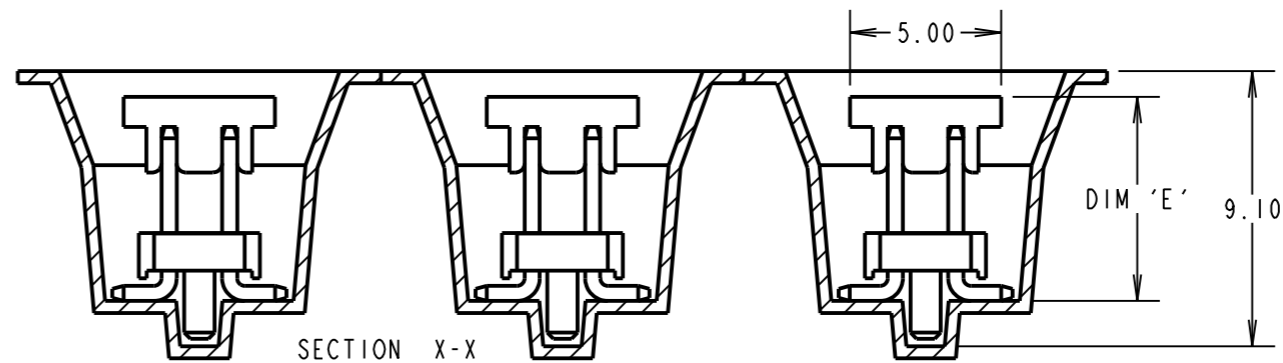
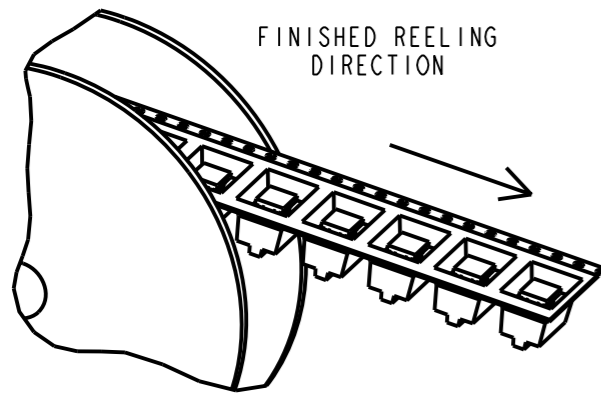
NOT TO SCALE

THIRD ANGLE PROJECTION

ALL DIMENSIONS IN mm



PICK AND PLACE CAP LOCATED CENTRALLY ON THE CONNECTOR



PART No.	DIMENSION					REEL QUANTITY
	DIM 'A'	DIM 'B'	DIM 'C'	DIM 'D'	DIM 'E'	
M22-5300205R	16.00±0.30	7.50±0.15	4.47	4.50	7.30	500
M22-5300305R	24.00±0.30	11.50±0.15	6.40			
M22-5300505R			10.40	6.00	6.75	

ORDER CODE:

M22-530XX05X

No. OF CONTACTS PER ROW:
02, 03, 05

PACKING:
BLANK = TUBE (SHEET 1)
R = TAPE AND REEL

SB	1	09.05.16	-----
NAME	ISS.	DATE	C/NOTE
APPROVED:		S.BENNETT	
CHECKED:		M.PLESTED	
DRAWN:		S.BENNETT	
CUSTOMER REF.:			
ASSEMBLY DRG:			

- NOTES:
- FOR CONNECTOR DETAILS AND SPECIFICATIONS, SEE SHEET 3.
 - PRODUCT IS TAPE AND REELED IN GENERAL ACCORDANCE WITH EIA-481 (ELECTRAL INDUSTRIES ASSOCIATION).

HARWIN

www.harwin.com
technical@harwin.com

THIS DRAWING AND ANY INFORMATION OR DESCRIPTIVE MATTER SET OUT HEREON ARE CONFIDENTIAL AND COPYRIGHT PROPERTY OF THE HARWIN GROUP AND MUST NOT BE DISCLOSED, LOANED, COPIED OR USED FOR MANUFACTURING, TENDERING OR FOR ANY OTHER PURPOSE WITHOUT THEIR WRITTEN PERMISSION.

TOLERANCES

X. = ±1mm
X.X = ±0.50mm
X.XX = ±0.10mm
X.XXX = ±0.01mm
ANGLES = ±5°
UNLESS STATED

MATERIAL:

SEE ABOVE

FINISH: SEE ABOVE

S/AREA:

mm²

TITLE:

2.00mm PITCH DIL
SMT PIN HEADER WITH PEGS

DRAWING NUMBER:

M22-530XX05X

SHT
4
OF
4