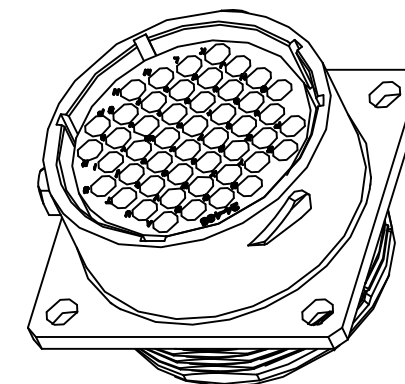
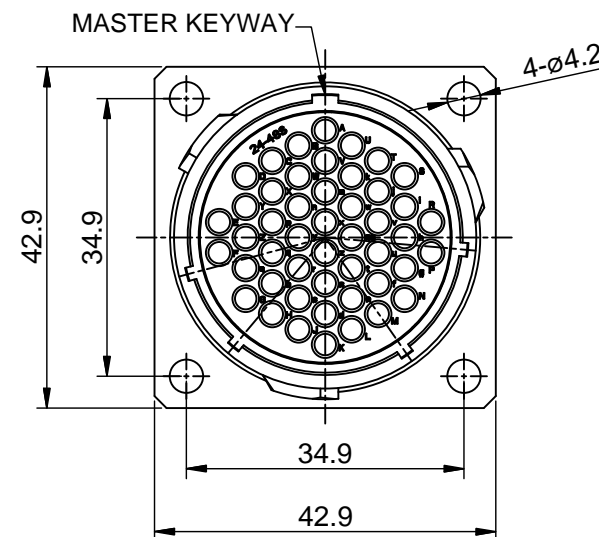
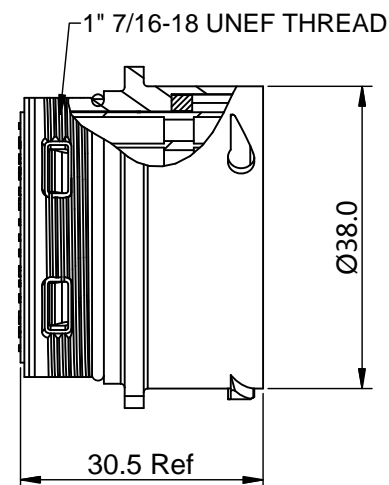
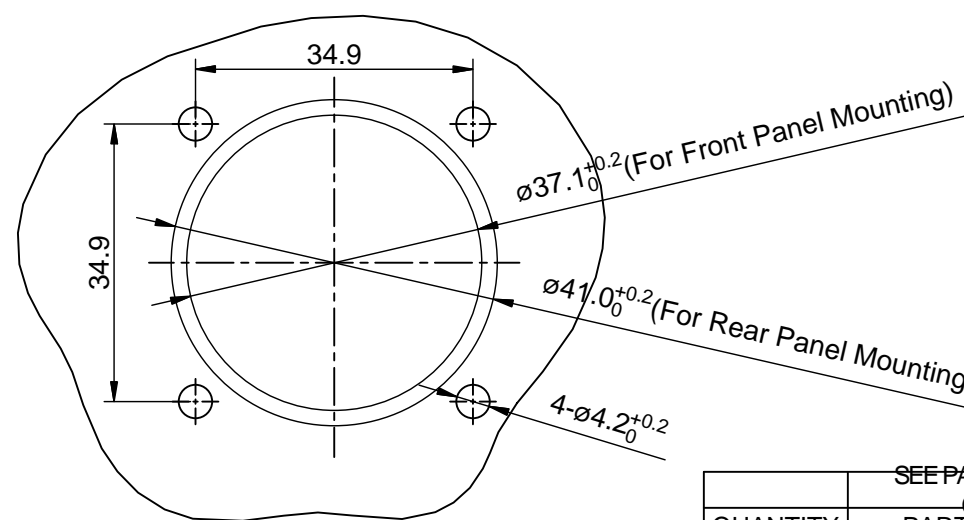


| REVISIONS |     |                  |             |     |       |
|-----------|-----|------------------|-------------|-----|-------|
| REV       | ECO | DESCRIPTION      | DATE        | BY  | APPR  |
| B1        | -   | RELEASED DRAWING | AUG-14-2014 | BEN | TOMMY |



NOTES : (UNLESS OTHERWISE SPECIFIED)

- MATERIAL :  
SHELL : ZINC ALLOY , NICKEL PLATED.  
INSERT : THERMOPLASTIC , UL94 V-0.  
O-RING : NBR.  
SEAL GASKET : NBR.
- SPECIFICATIONS :  
2.1 RATED CURRENT : 13A (MAX).  
2.2 RATED VOLTAGE : 300V ( AC/DC ) .  
2.3 OPERATING TEMPERATURE : -40°C ~ +105°C.  
2.4 DIELECTRIC WITHSTANDING VOLTAGE : LESS THAN 2 MILLIAMPS CURRENT LEAKAGE@2000 VOLTS AC.  
2.5 INSULATION RESISTANCE : 5000 MEGOHMS MIN.  
2.6 IP--CLASS : IP67.  
2.7 MATING CYCLES DURABILITY : 500 CYCLES MIN.  
2.8 ROHS COMPLIANT.
- SUITABLE CONTACTS : 16# CONTACTS.
- ALL DIMENSIONS ARE FOR REFERENCE USE ONLY.



PANEL CUT OUT REFERENCE

| KEY POS | PART NUMBER |
|---------|-------------|
| N       | RT002448SNH |
| W       | RT002448SWH |
| X       | RT002448SXH |
| Y       | RT002448SYH |
| Z       | RT002448SZH |

| QUANTITY   | SEE PART NUMBER<br>PART NUMBER | DESCRIPTION   | ITEM   |      |      |         |          |   |    |             |    |
|--|--------------------------------|---|--|------|------|---------|----------|---|----|-------------|----|
| <b>MATERIALS LIST</b>  |                                |   |  |      |      |         |          |   |    |             |    |
| UNLESS OTHERWISE SPECIFIED<br>1) All dimensions are in metric (mm).<br>2) Tolerances are as follows:<br>1 PL DEC ±0.30<br>2 PL DEC ±0.15<br>3 PL DEC ±0.08<br>Fractions ±1/64<br>Angles ±1°<br>3) Note reference = $\triangle$ X |                                | SIGNATURES<br>DRAWN: BEN<br>CHECKED:<br>ENGINEER:<br>APPROVAL:  | DATE<br>AUG-14-2014  |      |      |         |          |   |    |             |    |
| MATERIAL SPECIFICATIONS:   |                                | <p style="text-align: center;"><b>Amphenol</b></p> <p>Sine Systems - www.amphenol-sine.com<br/>44724 Morley Drive<br/>Clinton Township, MI 48036</p> <p style="text-align: center;"><b>ECO-MATE, RECEPTACLE,<br/>SIZE 24, 48 POS, SOCKET.</b></p>                                 |  |      |      |         |          |   |    |             |    |
| PROCESS SPECIFICATIONS:  |                                |   |  |      |      |         |          |   |    |             |    |
| NEXT ASSY:   |                                | CUSTOMER:<br>THIS DRAWING IS SUPPLIED FOR INFORMATION ONLY. DESIGN FEATURES, SPECIFICATIONS AND PERFORMANCE DATA SHOWN HEREON ARE THE PROPERTY OF THE AMPHENOL CORPORATION. NO RIGHTS OF REPRODUCTION ARE IMPLIED. ALL DIMENSIONS ARE SUBJECT TO NORMAL MANUFACTURING VARIATIONS. | <table border="1"> <tr> <td>SIZE</td> <td>TYPE</td> <td>DWG NO.</td> <td>REVISION</td> </tr> <tr> <td>B</td> <td>C-</td> <td>RT002448S*H</td> <td>B1</td> </tr> </table> | SIZE | TYPE | DWG NO. | REVISION | B | C- | RT002448S*H | B1 |
| SIZE   | TYPE                           | DWG NO.   | REVISION   |      |      |         |          |   |    |             |    |
| B  | C-                             | RT002448S*H   | B1   |      |      |         |          |   |    |             |    |
| SCALE: NONE  |                                | SHEET 1 OF 1  |  |      |      |         |          |   |    |             |    |

TITLE: ECO-MATE, RECEPTACLE, SIZE 24, 48 POS, SOCKET. DWG NO: RT002448S\*H REV: B1 SH: 1 OF: 1