

VIEW ON MATING SIDE

Ⓞ	A	A	A	A	A	A	A	A	A	A	A	A	A	A	A	A	A	A
◄	A	A	A	A	A	A	A	A	A	A	A	A	A	A	A	A	A	A
	1	2	3	4	5	6	7	8	9	10	11	12	13	14	15	16	17	18

A = 32 CONTACTS L=4,5

Marking	Standard
Performance level	G2/0 = Contact area level2 / Termination tin
Flux proof	no
Fixing clip	no
Dimensions	SDA-85040-0002 sht.1
Technical Data	PS-85042-0001

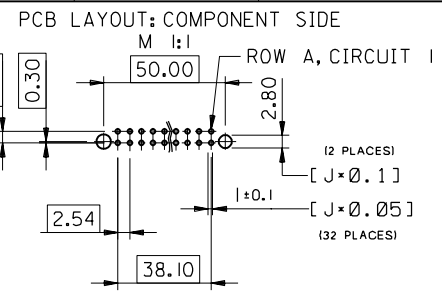
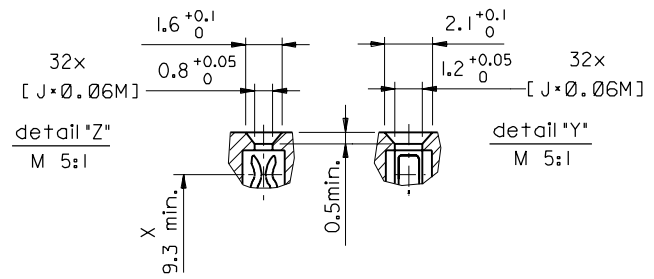
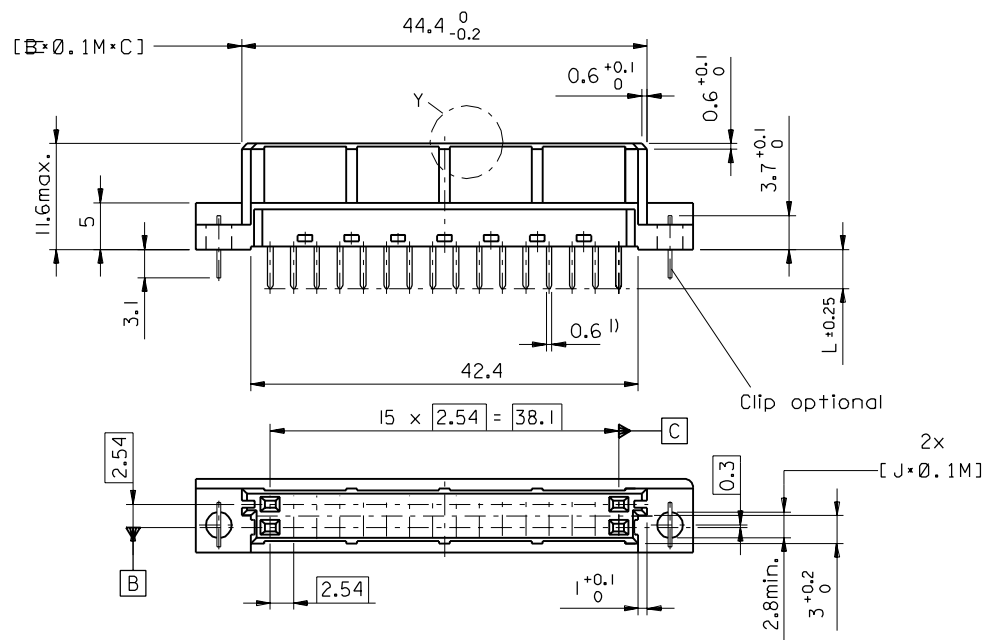
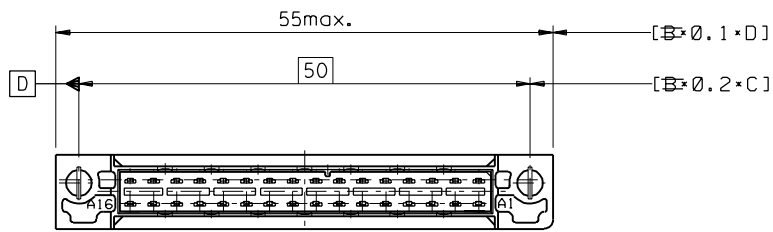
A	G2/0	a1-16	b1-16
Contact symbol	Perform. level	Contact position number	

A1	ECN 2264 Produkt spec. 96-10-18 KN	FOR PREVIOUS REVISIONS SEE MRI LIST
LTR	REVISIONS	

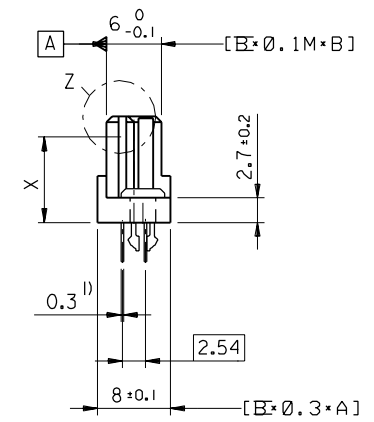
UNLESS OTHERWISE SPECIFIED TOLERANCES: ANGULAR ± 2°	DRWG BY	SIGN
INCH	Cc	
3 PLACE ± .	CHK'D BY	SIGN
2 PLACE ± .	KN	
1 PLACE ± .	APP'D BY	SIGN
DRAFT WHERE APPLICABLE MUST REMAIN WITHIN DIMENSIONS	SCALE	
DESIGN DIMENSION <input type="checkbox"/> MM <input type="checkbox"/> IN.	EQUIVALENT DIMENSION <input type="checkbox"/> MM <input type="checkbox"/> IN.	
IF TWO DIMENSIONS ARE SHOWN, THE UPPER IS THE DESIGN DIMENSION, LOWER IS SECONDARY		

REVISE ONLY ON CAD SYSTEM	SH. REV.
CAD/CAM PROJECT NAME	THIS DRAWING CONTAINS INFORMATION THAT IS PROPRIETARY TO MOLEX INC. & SHOULD NOT BE USED WITHOUT WRITTEN PERMISSION
s8504000	SO1
TITLE	
32 pos. female connector	
acc. DIN 41612 style B/2	
contacts arrangement	
MOLEX	MOLEX EUROPE
SHEET NO.	DATE
1 OF 1	96/05/15
PART NO.	DWG NO.
85040-0000	SDA-85040-0000
	SIZE
	A

PART NO.
DWG. NO.



1) tails to fit in PC-board layout



REVISIONS		FIRST ANGLE PROJECTION		REVISIONS	
ECN MG1998-2727	new fixing clip	UNLESS OTHERWISE SPECIFIED TOLERANCES: ANGULAR ±2°	DRWG BY	KN	SIGN
98-04-14	Ca	INCH	CHK'D BY	Ca	SIGN
		METRIC	APP'D BY	FB	SIGN
			SCALE	2:1	

REVISIONS		REVISIONS		REVISIONS	
3 PLACE	±	±	CAECAM PROJECT NAME	85040000	821
2 PLACE	±	±	THIS DRAWING CONTAINS INFORMATION THAT IS PROPRIETARY TO MOLEX INC. & SHOULD NOT BE USED WITHOUT WRITTEN PERMISSION		
1 PLACE	±	±	TITLE		
DRAFT WHERE APPLICABLE MUST REMAIN WITHIN DIMENSIONS			32pos. Female connector		
DESIGN DIMENSION <input checked="" type="checkbox"/> MM			DIN 41612 style B/2,		
EQUIVALENT DIMENSION <input type="checkbox"/> MM			with clip, Dimensions		
SCALE			MOLEX MOLEX EUROPE		
IF TWO DIMENSIONS ARE SHOWN THE UPPER IS THE DESIGN DIMENSION, LOWER IS SECONDARY			SHEET NO. DATE		
			1 OF 1 96/04/23		
			PART NO. DWG NO.		
			SDA-85040-0002		
			SIZE		
			B		