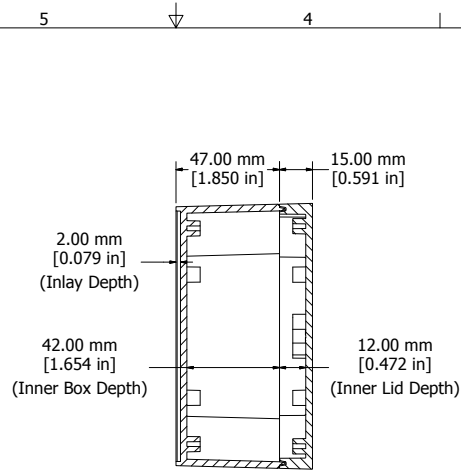
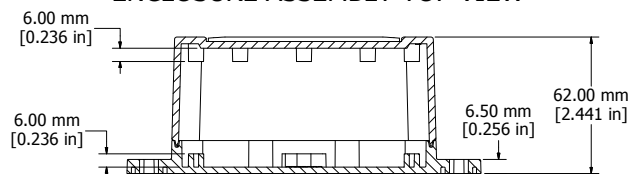


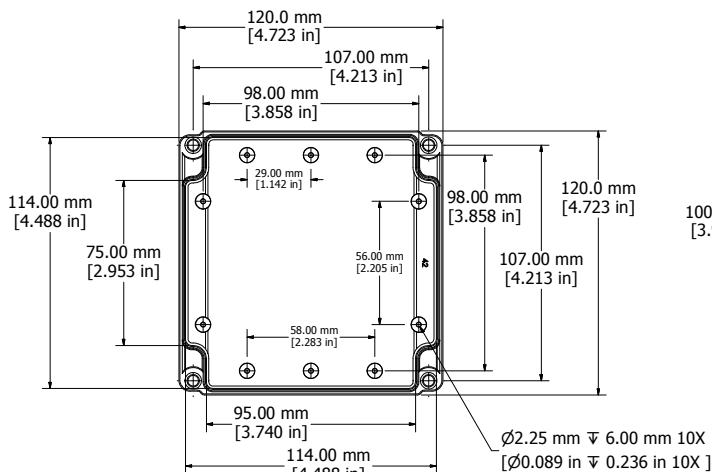
ENCLOSURE ASSEMBLY TOP VIEW



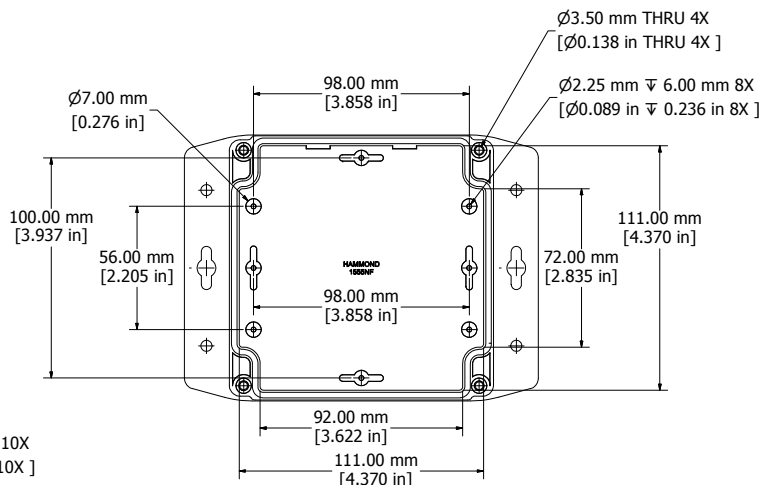
SECTION A-A
END VIEW OF ASSEMBLY



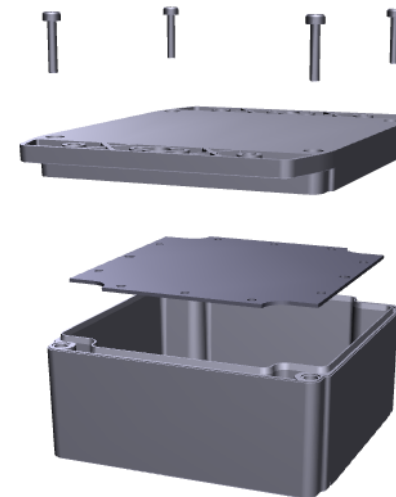
SECTION B-B (SIDE VIEW OF ASSEMBLY)



BOX INSIDE VIEW



FLANGED LID INSIDE VIEW



Enclosures can be Factory Modified (Milling, Drilling, Printing etc.)
Solid models of this enclosure available in STEP or IGES.
Contact Factory mjm@hammondmfg.com

NOTE	
Purchased assembly includes box, lid, 4 cover screws & preformed silicone gasket. Steel panel not supplied.	
Cover screws should be torqued to 2.5 lb-in (30 cN-m)	

1555NF42	
1555NF42 Regular Enclosure	
General Purpose ABS RAL-7035 UL94 - HB	1555NF42GY
Poycarbonate RAL-7035 - V0 / 5VA @ 3mm	1555N2F42GY
ACCESSORIES	
Heavy Duty 16 Gauge Galvanized Steel Panels	1555NFPL
Steel Panel / P.C. Board Self Tapping Screw (#4 X 1/4" (6.4mm) Nickel Plated)	1555TS100
Cover Screws (Pkg 4)	SC1554
[M4 X 20mm Stainless Steel]	

 **HAMMOND MANUFACTURING™**
1555NF42
www.hammondmfg.com