

Thermocouple measuring transducer - MCR-TE-JK-U-E - 2810515


Please be informed that the data shown in this PDF Document is generated from our Online Catalog. Please find the complete data in the user's documentation. Our General Terms of Use for Downloads are valid (<http://phoenixcontact.com/download>)



MCR temperature measuring transducer, for thermocouples type J, K input: 0 - 400°C, 0 - 800°C, 0 - 1000°C, 0 - 1200°C, input electrically isolated, output signal 0..10 V



Key commercial data

Packing unit	1 pc
GTIN	 4 017918 126711
Weight per Piece (excluding packing)	139.0 GRM
Custom tariff number	85437090
Country of origin	Germany

Technical data

Note

Utilization restriction	EMC: class A product, see manufacturer's declaration in the download area
-------------------------	---

Dimensions

Width	17.5 mm
Height	99 mm
Depth	114.5 mm

Ambient conditions

Ambient temperature (operation)	-20 °C ... 65 °C
---------------------------------	------------------

Input data

Configurable/programmable	Yes
Sensor types that can be used (TC)	J, K

Thermocouple measuring transducer - MCR-TE-JK-U-E - 2810515

Technical data

Input data

Temperature measuring range	0 °C ... 400 °C
	0 °C ... 800 °C
	0 °C ... 1000 °C
	0 °C ... 1200 °C

Output data

Output name	Voltage output
Configurable/programmable	Yes
Voltage output signal	0 V ... 10 V
Max. output voltage	15 V
Output voltage with wire break	> 11 V
Load/output load voltage output	≥ 10 kΩ

Power supply

Supply voltage range	18 V DC ... 30 V DC
Max. current consumption	20 mA

Connection data

Connection method	Pluggable screw connection
Conductor cross section solid min.	0.2 mm ²
Conductor cross section solid max.	2.5 mm ²
Conductor cross section AWG/kcmil min.	24
Conductor cross section AWG/kcmil max	14
Conductor cross section stranded min.	0.2 mm ²
Conductor cross section stranded max.	2.5 mm ²
Stripping length	8 mm
Screw thread	M3

General

Maximum transmission error	≤ 1.2 % (of end value, for type K)
	< 2 % (of end value, for type J, 0 °C ... 400°C and 0 °C ... 800°C)
	< 2.5 % (of end value, for type J, 0 °C ... 1000°C and 0 °C ... 1200°C)
Maximum temperature coefficient	< 0.02 %/K
Cold point error, max.	± 4 K
Typical cold point errors	± 2.5 K
Limit frequency (3 dB)	30 Hz
Alignment zero	± 60 K
Alignment span	± 5 % (of final value)
Step response (10-90%)	approx. 11 ms

Thermocouple measuring transducer - MCR-TE-JK-U-E - 2810515

Technical data

General

Test voltage input/output	1.5 kV (50 Hz, 1 min.)
Test voltage input/power supply	1.5 kV (50 Hz, 1 min.)
Color	green
Housing material	Polyamide PA non-reinforced
Mounting position	any
Conformance	CE-compliant
UL, USA / Canada	cULus

Classifications

eCl@ss

eCl@ss 4.0	27200206
eCl@ss 4.1	27200206
eCl@ss 5.0	27200206
eCl@ss 5.1	27200206
eCl@ss 6.0	27200206
eCl@ss 7.0	27200206

ETIM

ETIM 2.0	EC001446
ETIM 3.0	EC001446
ETIM 4.0	EC001446
ETIM 5.0	EC001446

UNSPSC

UNSPSC 6.01	30211506
UNSPSC 7.0901	39121008
UNSPSC 11	39121008
UNSPSC 12.01	39121008
UNSPSC 13.2	39121008

Approvals

Approvals

Approvals

UL Recognized / cUL Recognized / GOST / cULus Recognized

Thermocouple measuring transducer - MCR-TE-JK-U-E - 2810515

Approvals

Ex Approvals

Approvals submitted

Approval details

UL Recognized

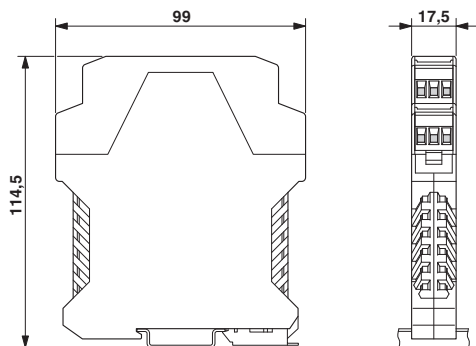
cUL Recognized

GOST

cULus Recognized

Drawings

Dimensioned drawing



Circuit diagram

