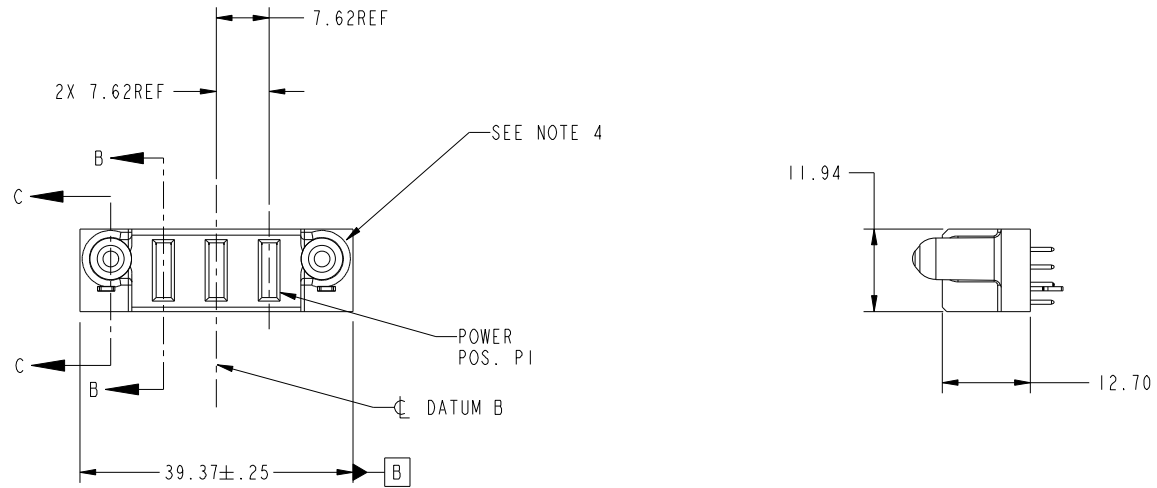


Tous droits strictement reserves. Reproduction ou communication a des tiers interdite sous quelque forme que ce soit sans autorisation écrite du propriétaire. Propriete de c FCI. Droits de reproduction FCI.



All rights strictly reserved. Reproduction or issue to third parties in any form whatever is not permitted without written authority from the proprietor. Property of FCI. Copyright FCI.

PRODUCT NO.	POWER				
	E2	P3	P2	P1	E1
51940-039 -- NOTE 3					



CODE	DIM "M" MATING LENGTH	CONTACT TYPE
PD	.092 [2.34]	POWER
HA	N/A [N/A]	HOLD-DOWN
PA	.042 [1.07]	POWER

mat'l code				SEE NOTE 2	tolerances unless otherwise specified		CUSTOMER				
ltr	ecn no.	dr	date		linear	0.X ± 0.3	COPY		www.fciconnect.com		
A	V03-0391	MEM	4/7/03			0.XX ± 0.10	projection		title		
B	D608-0196	SH	07/30/08		angles	0.XXX ± 0.050			3ACP VERTICAL SOLDER RECEPT		
					dr	0° + 2°			product family		
					enrg	M. MOSTOLLER 4/7/03	scale		PwrBlade		
					chr	M. MOSTOLLER 4/7/03	1:1		code		
					appd	H. BREWBAKER 4/7/03			213		
						M. MOSTOLLER 4/7/03			sheet		
sheet index		revision sheet		B	B	B	B	size		1 of 4	
		1 2		3	4			dwg no		51940-039	
								cage code		22526	

Pro/E

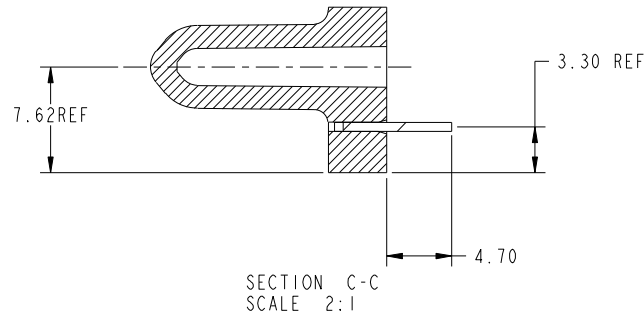
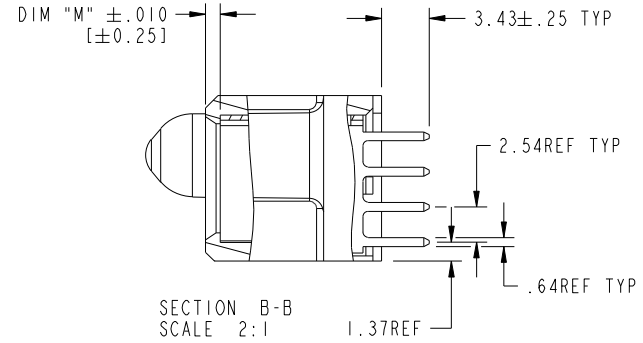
cage code 22526

Tous droits strictement reserves. Reproduction ou communication a des tiers interdite sous quelque forme que ce soit sans autorisation ecrite du proprietaire. Propriete de c FCI. Droits de reproduction FCI.



All rights strictly reserved. Reproduction or issue to third parties in any form whatever is not permitted without written authority from the proprietor. Property of FCI. Copyright FCI.

PRODUCT NUMBER  
51940-039--  
NOTE: 3



mat'l code				SEE NOTE 2	tolerances unless otherwise specified		CUSTOMER	FCI	
ltr	ecn no.	dr	date	linear	0.X ±0.3	COPY	www.fciconnect.com		
B					0.XX ±0.10	projection	title		
				angles	0.XXX ±0.050		3ACP VERTICAL SOLDER RECEPT		
				dr	0° ±2°		product family	PwrBlade	code
				enr	M. MOSTOLLER 4/7/03	scale	size	dwg no	213
				chr	M. MOSTOLLER 4/7/03	1:1	A	51940-039	sheet
				appd	H. BREWBAKER 4/7/03				2 of 4
					M. MOSTOLLER 4/7/03				
sheet index	revision sheet								

Pro/E

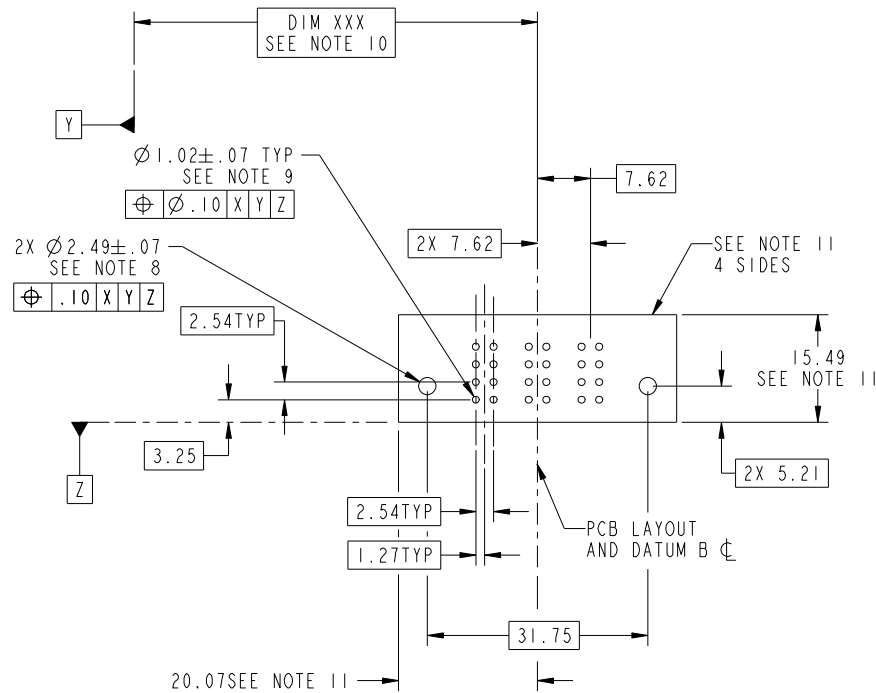
cage code 22526

Tous droits strictement reserves. Reproduction ou communication a des tiers interdite sous quelque forme que ce soit sans autorisation ecrite du proprietaire. Propriete de c FCI. Droits de reproduction FCI.



All rights strictly reserved. Reproduction or issue to third parties in any form whatever is not permitted without written authority from the proprietor. Property of FCI. Copyright FCI.

PRODUCT NUMBER  
51940-039--  
NOTE: 3



RECOMMENDED PCB LAYOUT

mat'l code		SEE NOTE 2		tolerances unless otherwise specified		CUSTOMER		FCI		www.fciconnect.com					
ltr	ecn no.	dr	date	linear	0.X ± 0.3	COPY		title 3ACP VERTICAL SOLDER RECEPT							
B					0.XX ± 0.10	projection						product family		code	
				angles	0.XXX ± 0.050	MIM						PwrBlade		213	
				dr	M. MOSTOLLER 4/7/03	scale		size		sheet					
				enrg	M. MOSTOLLER 4/7/03	1:1		dwg no		3 of 4					
				chr	H. BREWBAKER 4/7/03			51940-039							
				appd	M. MOSTOLLER 4/7/03										
sheet index	revision sheet														

cage code 22526

Pro/E

Tous droits strictement réservés. Reproduction ou communication a des tiers interdite sous quelque forme que ce soit sans autorisation écrite du propriétaire. Propriete de c FCI. Droits de reproduction FCI.



All rights strictly reserved. Reproduction or issue to third parties in any form whatever is not permitted without written authority from the proprietor. Property of FCI. Copyright FCI.

PRODUCT NUMBER  
51940-039--  
NOTE:3

NOTES:

1. DIMENSIONS AND TOLERANCES ARE IN ACCORDANCE WITH ASME Y14.5M, 1994 UNLESS OTHERWISE SPECIFIED.

CONNECTOR NOTES:

- 2 HOUSING MATERIAL: UL 94 V-0 GLASS FILLED  
HIGH-TEMP THERMOPLASTIC  
POWER CONTACT MATERIAL: COPPER ALLOY  
SIGNAL PIN MATERIAL: COPPER ALLOY
- 3. PLATING:  
B 51940-039,51940-039LF, PLATING SPEC. SEE PRINT:10064183
- 4 MANUFACTURER'S NAME, P/N, AND DATE CODE TO APPEAR ON THIS SURFACE.
- 5. PRODUCT SPECIFICATION GS-12-149.  
APPLICATION SPECIFICATION BUS-20-067.
- 6. PACKAGED IN TRAYS.
- PCB NOTES:
- 7. ALL HOLE DIAMETERS ARE FINISHED HOLE SIZE.
- 8 MOUNTING HOLES, WHERE APPLICABLE, ARE UNPLATED.
- 9  $\varnothing .0453 \pm .0010$  [1.151 $\pm$ 0.025] DRILLED HOLES PLATED WITH .0003 [0.008] MIN SnPb OVER .001 [0.03] TO .003 [0.08] Cu PLATING TO ACHIEVE  $\varnothing .040 \pm .003$  [1.02 $\pm$ .07] HOLE.
- 10 "DIM XXX" TO BE DETERMINED BY THE CUSTOMER.
- 11 CONNECTOR KEEP-OUT ZONE.

12: A B SYMBOL WILL BE NEXT TO ANY DIMENSION, VIEW, OR NOTE WHICH HAS BEEN MODIFIED WITH CURRENT DRAWING REVISION.

mat'l code				SEE NOTE 2		tolerances unless otherwise specified		CUSTOMER		FCI		
ltr	ecn no.	dr	date	linear	0.X ± 0.3	projection	COPY		www.fciconnect.com			
B					0.XX ± 0.10		title		3ACP			
				angles	0.XXX ± 0.050		VERTICAL SOLDER RECEIPT					
					0° ± 2°		product family		PwrBlade	code	213	
				dr	M. MOSTOLLER 4/7/03		size	dwg no	51940-039		sheet	4 of 4
				enrg	M. MOSTOLLER 4/7/03		scale	A				
				chr	H. BREWBAKER 4/7/03		1:1					
				appd	M. MOSTOLLER 4/7/03							
sheet index	revision sheet											

cage code 22526

Pro/E