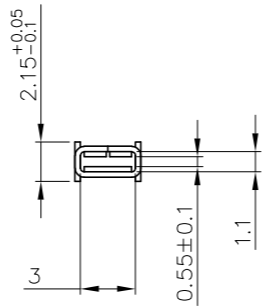
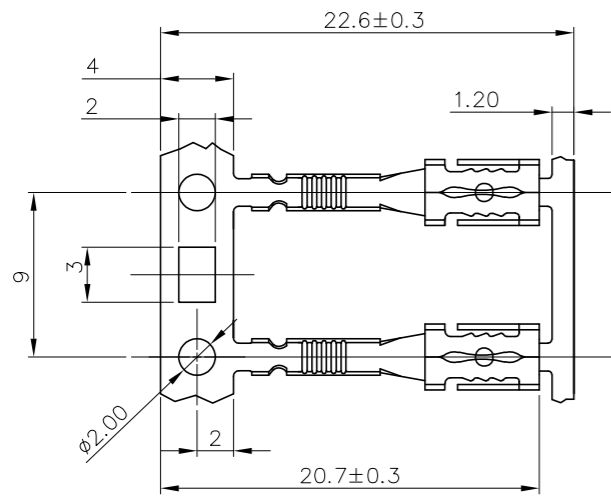
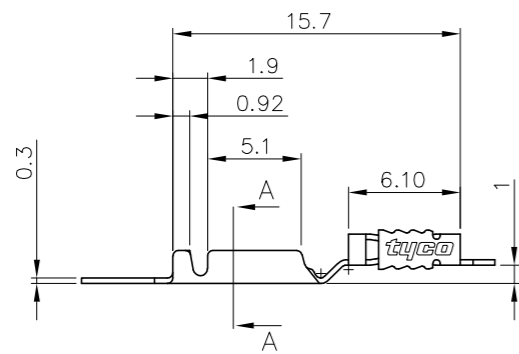


THIS DRAWING IS UNPUBLISHED. RELEASED FOR PUBLICATION  
 © COPYRIGHT - BY TYCO ELECTRONICS CORPORATION. ALL RIGHTS RESERVED.

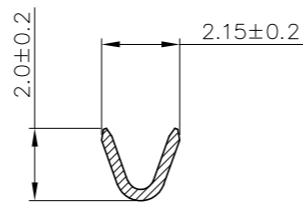
LOC	DIST	REVISIONS					
		P	LTR	DESCRIPTION	DATE	DWN	APVD
ES	00		C1	ECR-09-003508	02/16/09	SL	JZ



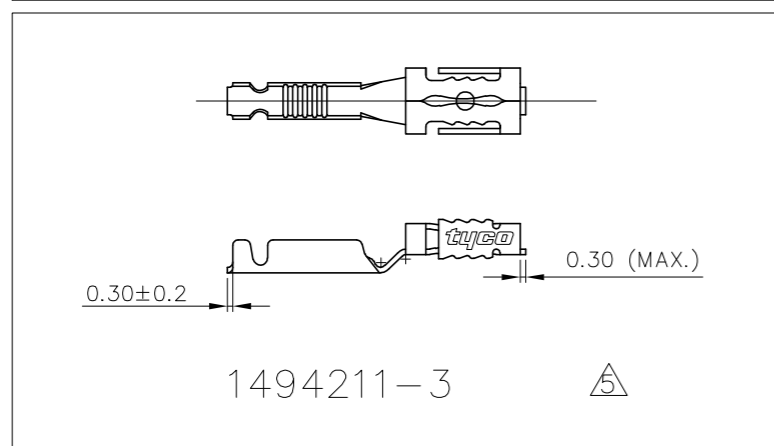
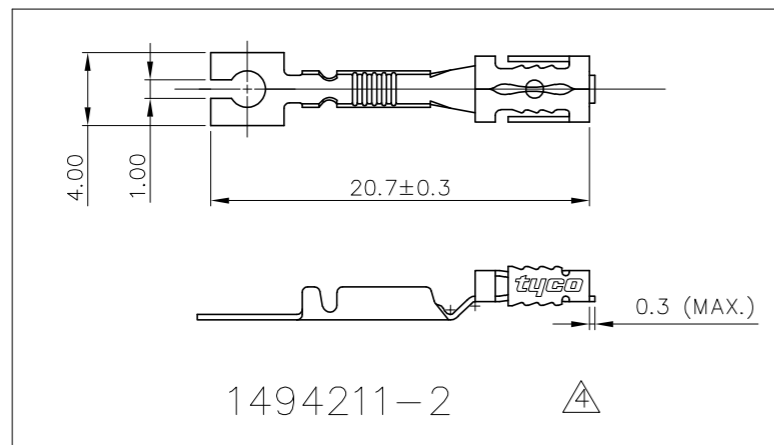
VIEW A  
2:1



VIEW A

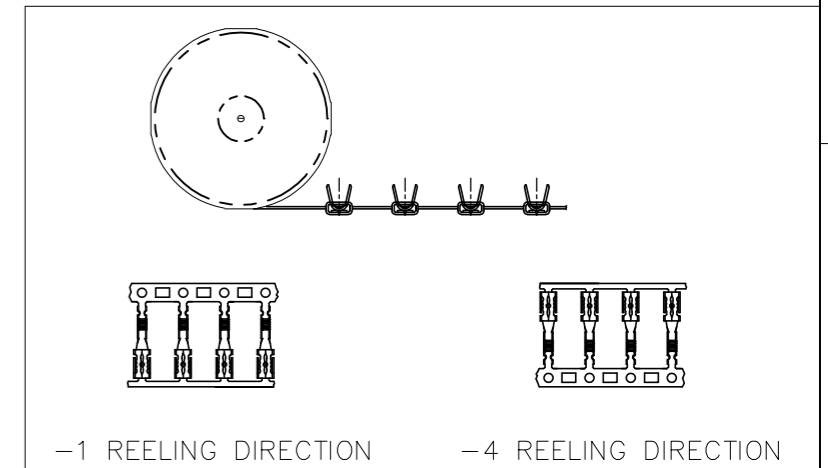


SECTION A-A  
2:1



NOTES:

- 1. MATERIAL: COPPER ALLOY.
- 2. APPLICATION DATA:  
ENAMEL WIRE:  $\phi$  0.45~0.75 mm
- 3. REVISED REEL OF 1494211-1.
- 4. CUT TO LOOSE PIECE.
- 5. CRIMP WIDTH: 1.575mm, F TYPE,  
CRIMP HEIGHT( $\pm 0.05$ mm)= $0.7522+0.374*(\text{ENAMEL WIRE DIA.})^2$   
THE ENAMEL WIRE DIA INCLUDE INSULATION FILM THICKNESS.



CONTINUOUS STRIP ON REELS	3	BARE	1	1494211-4
LOOSE PIECE	5	BARE	1494211-1	1494211-3
LOOSE PIECE	4	BARE	1494211-1	1494211-2
CONTINUOUS STRIP ON REELS		BARE	1	1494211-1
PACKING OR REELING		FINISH	MATERIAL	P/N

THIS DRAWING IS A CONTROLLED DOCUMENT.		DWN 25.OCT.2002 BORIS WONG	Tyco Electronics Corporation Shanghai, China	
		CHK 04.NOV.2002 BORIS WONG		
		APVD 04.NOV.2002 S.F.SHUM	NAME	
DIMENSIONS: mm		PRODUCT SPEC		SIZE
TOLERANCES UNLESS OTHERWISE SPECIFIED:		108-58502		
0 PLC ± - 1 PLC ± 0.2 2 PLC ± 0.1 3 PLC ± - 4 PLC ± - ANGLES ± -		APPLICATION SPEC		CAGE CODE
MATERIAL		114-58502		
SEE TABLE		WEIGHT -		DRAWING NO
		CUSTOMER DRAWING		RESTRICTED TO
		SCALE 1:1		SHEET 1 OF 1
				REV C1