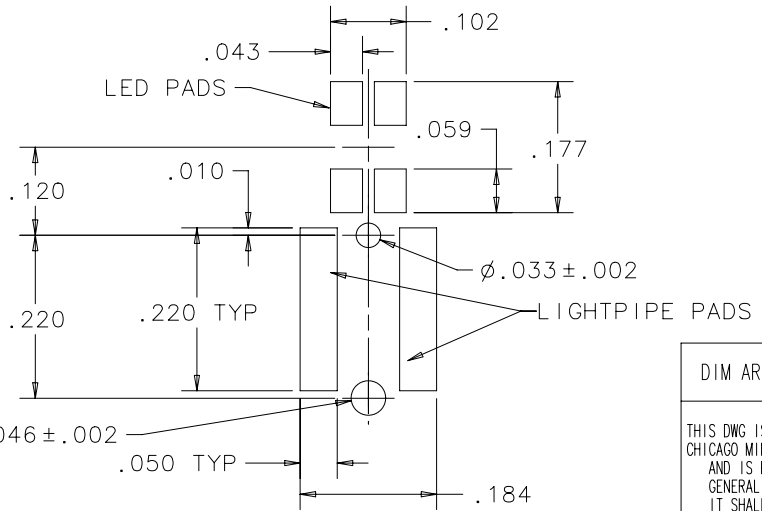
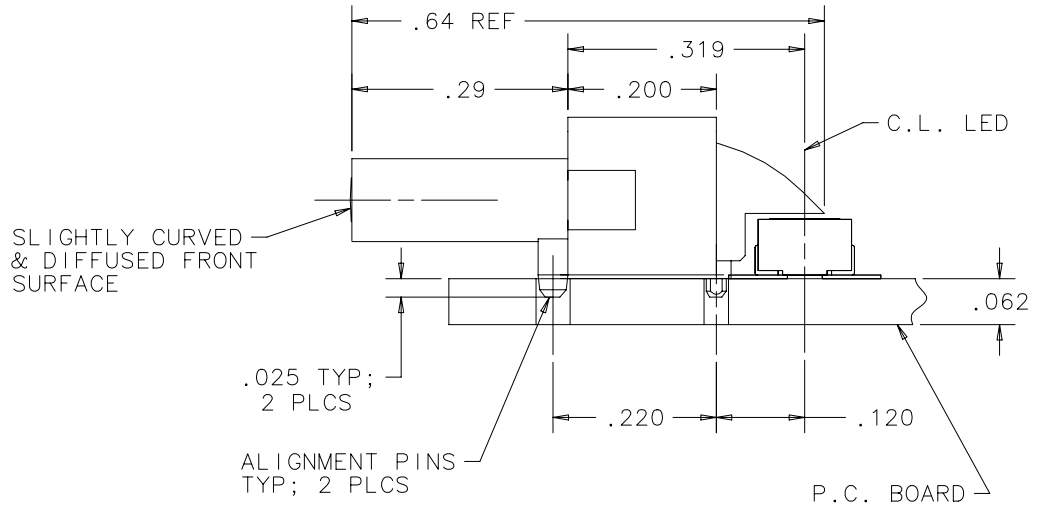
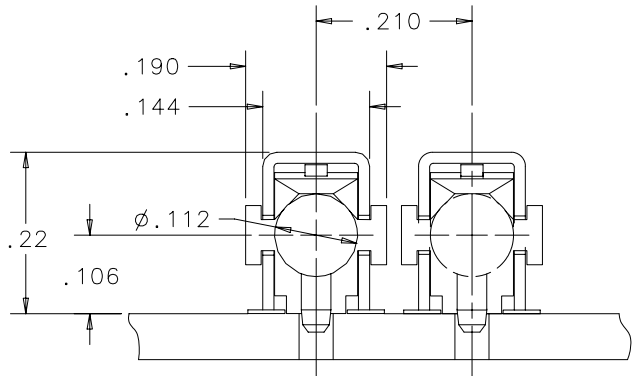


NOTES:

1. SMT LIGHTPIPE COMPONENT DESIGNED TO WITHSTAND STANDARD IR REFLOW SOLDERING PROFILE. **SEE SHEET THREE**
2. LED LIGHTSOURCE TO BE A SEPERATE COMPONENT.
3. LIGHTSOURCE: SMT LED (CML #CMD67-21/22 SERIES).
4. SMT LIGHTPIPE IS UL94 HB COMPLIANT WITH A POLYMER MASS OF 0.112 GRAMS.

REVISIONS			
REV	ECR NO	DESCRIPTION	DATE



PRELIMINARY SOLDER PAD LAYOUT (BICOLOR LED PADS SHOWN)

SDRC FILE NAME: 7520A10.mf1

CML MODEL NO.	PACKAGING OPTION
7520A10	100-PCS PER BAG
7520A10-TR	SUPPLIED ON TAPE & REEL 700-PCS PER REEL (SEE SHEET 2 OF 2)

**Patent Pending**

DIM ARE IN INCHES		<input type="checkbox"/> FOR INSPECTION USE ONLY <input checked="" type="checkbox"/> SPC DOCUMENTATION REQ. (X R CHARTS)	
DRAWN BY	DATE	PART NO	SEE CHART
M.C.	6-4-03	MODEL NO	
CHECKED BY	DATE	MOLD NO	MATERIAL
ENG. APPRV.	DATE	FINISH	
UNLESS OTHERWISE SPECIFIED		TOLERANCES ON:	
.XX	+/- .02	.XXX	
.XXX	+/- .010	ANGLE	
	+/- 1 DEG.		

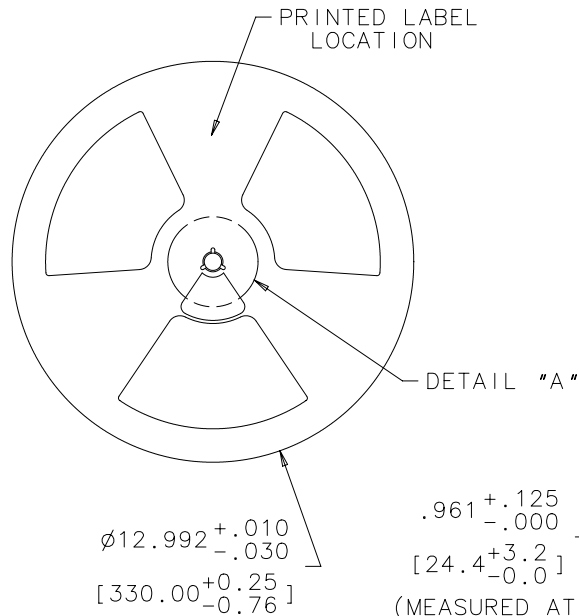
THIS DWG IS THE PROPERTY OF CHICAGO MINIATURE LAMP, INC AND IS PROPRIETARY IN GENERAL AND IN DETAIL. IT SHALL NOT BE COPIED OR ITS CONTENTS REVEALED TO OUTSIDE PARTIES WITHOUT THE WRITTEN CONSENT OF CHICAGO MINIATURE LAMP, INC.

**CHICAGO MINIATURE LAMP, INC.**  
147 CENTRAL AVE. HACKENSACK, NJ 07601

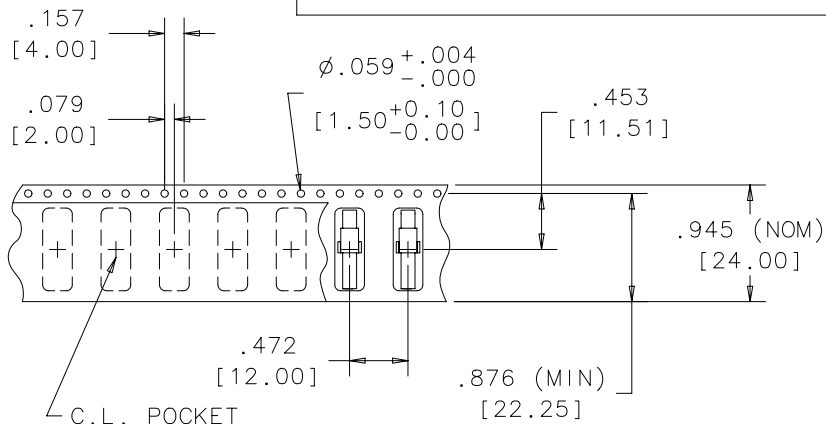
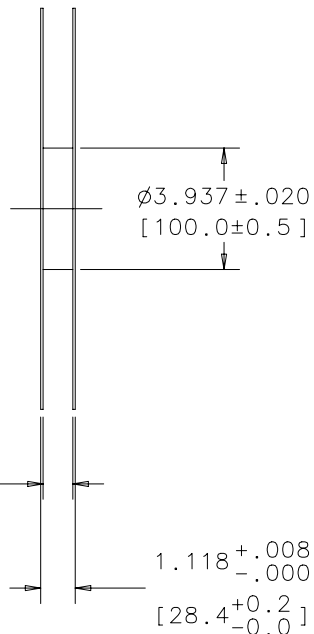
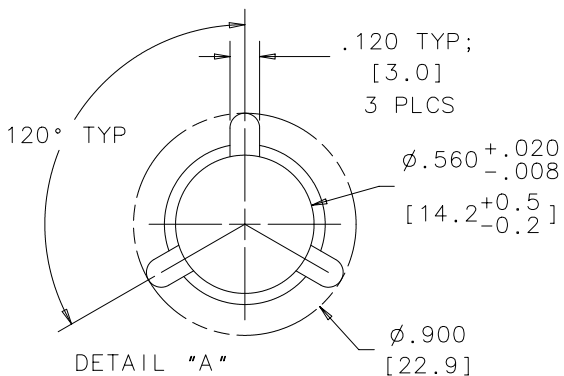
TITLE: SMT LIGHTPIPE

DIST. S	DWG NO B17792	REV
SCALE 6:1	SHEET 1 OF 2	

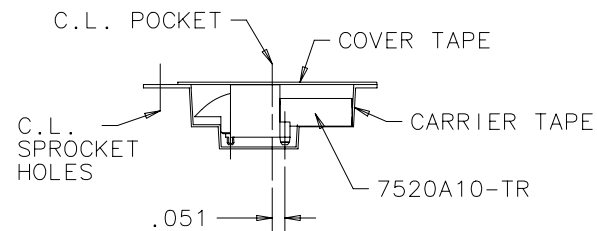
REVISIONS	
SEE SHEET 1	



REEL DETAILS



CARRIER TAPE DETAILS



7520A10-TR  
CONFIGURATION  
IN CARRIER TAPE

SDRC FILE NAME: 7520A10.mf1

DIM ARE IN INCHES	<input type="checkbox"/> FOR INSPECTION USE ONLY <input checked="" type="checkbox"/> SPC DOCUMENTATION REQ. (X R CHARTS)		
THIS DWG IS THE PROPERTY OF CHICAGO MINIATURE LAMP, INC AND IS PROPRIETARY IN GENERAL AND IN DETAIL. IT SHALL NOT BE COPIED OR ITS CONTENTS REVEALED TO OUTSIDE PARTIES WITHOUT THE WRITTEN CONSENT OF CHICAGO MINIATURE LAMP, INC.	DRAWN BY M.C.	DATE 8-25-03	PART NO
	CHECKED BY	DATE	MODEL NO SEE CHART (SHEET 1)
	ENG. APPRV.	DATE	MOLD NO
	UNLESS OTHERWISE SPECIFIED TOLERANCES ON:		MATERIAL
	.XX +/- .02	FINISH	
	.XXX +/- .010		
	ANGLE +/- 1 DEG.		
<b>CHICAGO MINIATURE LAMP, INC.</b> 147 CENTRAL AVE. HACKENSACK, NJ 07601			TITLE SMT LIGHTPIPE
DIST. S	DWG NO B17792	REV	
SCALE 1:4	SHEET 2 OF 2		

**Chicago Miniature Lamp  
P/N 7520A10 series**

**SMD Light Pipe solder profile**

Melting point for 63/37 Tin-Lead solder paste: 183 Degrees C.

Maximum Reflow Temperature for 7520A10 is 221 Degrees C.

