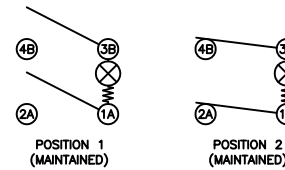


SCHEMATIC



SPECIFICATIONS

FUNCTION:
2P1T OFF-ON

RATINGS:
ANSI/UL 1054 and CAN/CSA C22.2 No. 55 (E194579):
16A 125VAC [cURus]
16A 250VAC [cURus]

CAN/CSA C22.2 No. 55 (233821):
16A 125VAC [CSA]
16A 250VAC [CSA]

DIN 61058-1/VDE 0630-1:2008-09 and EN 61058-1:2002+A2:2008 (40011301):
16(4)A 250~ 1E4 T125/55 [VDE]

ILLUMINATION VOLTAGE:
125V

CONTACT RESISTANCE:
Initial: 20mΩ Max.

INSULATION RESISTANCE:
100MΩ Min. at 500VDC

DIELECTRIC STRENGTH:
1,000VAC For 1 Minute

ELECTRICAL LIFE:
6,000 Cycles [cURus, CSA]
10,000 Cycles [VDE]

TEMPERATURE:
Operating: -20°C to 65°C [cURus, CSA]
Operating: -20°C to 125°C [VDE]

APPROVALS:



COLORS AND MARKINGS

BODY:
Black

RUBBER BODY:
Black

ACTUATOR:
Transparent Red

MARKINGS:
None

MARKING COLOR:
None

MATERIALS

UPPER BODY:
Polyamide 6/6 (PA66), UL94 V-2

LOWER BODY:
Polybutylene Terephthalate (PBT), UL94 V-2

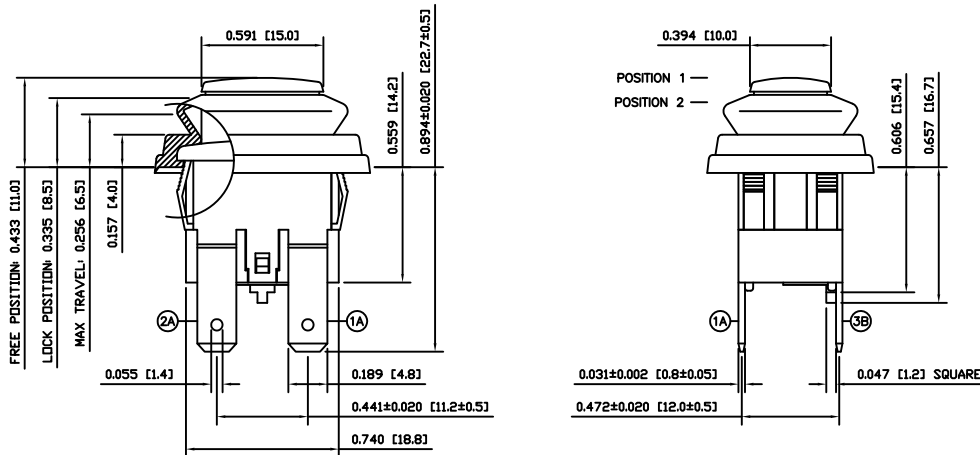
RUBBER BODY:
Rubber

ACTUATOR:
Polycarbonate (PC), UL94 V-2

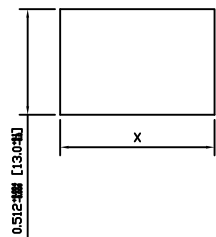
LAMP:
Neon Bulb

CONTACTS:
Silver Alloy

TERMINALS:
Silver Plated Copper



SUGGESTED PANEL CUTOUT



PANEL THICKNESS	X
0.020~0.050 [0.50~1.20]	0.748 [19.0]
0.050~0.080 [1.20~2.00]	0.760 [19.3]
0.080~0.120 [2.00~3.00]	0.772 [19.6]

BODY	A	09/07/16	CAB
COLORS	A	09/07/20	CAB
MATERIALS	A	09/07/20	CAB
SPECIFICATIONS	A	09/07/20	CAB
REFERENCE	REV.	DATE	BY

THE INFORMATION CONTAINED IN THIS DOCUMENT IS PROPRIETARY TO E-SWITCH AND IS NOT TO BE COPIED OR TRANSFERRED

B	CORRECTED DRAWING TITLE AND DRAWING NUMBER	PCRD0137	09/09/20	CAB
A	INITIAL RELEASE	PCRD0051	09/08/05	CAB
REV.	DESCRIPTION	PCR	DATE	DRAWN BY

DIMENSIONS	
INCHES [MILLIMETERS]	
GENERAL TOLERANCES	
±0.008 [±0.2] / ±1'	
SCALE	PROJECTION
DRAWING NOT TO SCALE	1st Angle

PA4R12C1000-116		
DRAWING NUMBER	DATE	REVISION
14-PA4R12C1000116	SEPTEMBER 29, 2009	B