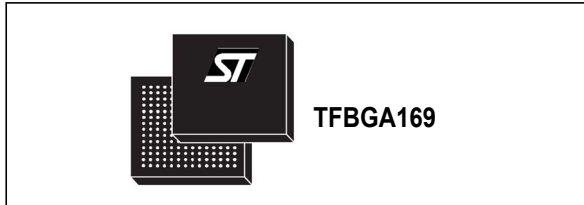

Automotive GPS/Galileo/GLONASS/BeiDou/QZSS receiver with high performance processing capability

Datasheet - production data

**Features**

- AEC-Q100 qualified
 - STMicroelectronics® positioning receiver with 48 tracking channels and 2 fast acquisition channels supporting GPS, Galileo, GLONASS, BeiDou and QZSS systems
 - ST-DRAW (ST Dead Reckoning Automotive Way) supported (STA8090EXGAD only)
 - Single die standalone receiver embedding RF Front-End and low noise amplifier
 - -162 dBm indoor sensitivity (tracking mode)
 - Fast TTFF < 1 s in Hot start and 30 s in Cold Start
 - High performance ARM946 MCU (up to 196 MHz)
 - 256 Kbyte embedded SRAM
 - FSMC external memory interface (NOR and SRAM)
 - External SQI Flash interface
 - 8 free running timers/ counters (32 bit)
 - Real Time Clock (RTC) circuit
 - 32-bit Watch-dog timer
 - 3 UARTs
 - 1 I²C master interface
 - 1 Synchronous Serial Port (SSP, Motorola-SPI supported)
 - USB2.0 full speed (12 MHz) with integrated physical layer transceiver
 - 2 Controller Area Network (CAN)
- 8 channels ADC (10 bits)
 - 1 Secure-Digital Multimedia Memory Card Interfaces (SDMMC)
 - 1 Multichannel Serial Port (MSP)
 - Power Management Unit (PMU) embedding switching regulator
 - Operating condition:
 - Main voltage regulator (V_{INL}): 1.6 V to 4.3 V
 - Backup voltage (V_{INB}): 1.6 V to 4.3 V
 - Digital voltage (V_{DD}): 1.1 V to 1.32 V
 - RF core voltage (V_{CC}): 1.2 V \pm 10%
 - IO Ring Voltage (V_{ddIO}): 1.8 V \pm 5% or 3.3 V \pm 10%
 - Package:
 - TFBGA169 9 x 9 x 1.2 mm 0.65 pitch
 - Ambient temperature range: -40/ +85 °C

Description

STA8090EXGA belongs to Teseo III family products.

STA8090EXGA is a highly integrated System-On-Chip GNSS receiver designed for high-flexible and cost effective solution addressing, trackers, hand-held, in-dash navigation and Telematics applications.

STA8090EXGA embeds the new ST GNSS positioning engine capable of receiving signals from multiple satellite navigation systems, including GPS, Galileo, GLONASS, BeiDou QZSS.

The STA8090EXGA combines a high performance ARM946 microprocessor with I/O capabilities and enhanced peripherals. It embeds innovative power management unit for power consumption optimization.

STA8090EXGAD can run also TESEO-DRAW the STMicroelectronics dead reckoning firmware.

Contents

- 1 Overview 6**
- 2 Pin description 7**
 - 2.1 Block diagram 7
 - 2.2 TFBG_A169 ball out 8
 - 2.3 Power supply pins 9
 - 2.4 Main function pins 10
 - 2.5 Test / emulated dedicated pins 10
 - 2.6 FSMC external memory interface pins 11
 - 2.7 SQI pins 13
 - 2.8 Communication interface pins 14
 - 2.9 Multimedia card pins 17
 - 2.10 General purpose pins 18
 - 2.11 RF front-end pins 19
- 3 General description 20**
 - 3.1 RF front end 20
 - 3.2 GPS/Galileo/GLONASS/BeiDou Base Band (G3BB+) processor 20
 - 3.3 MCU Subsystem 20
 - 3.3.1 AHB slaves 21
 - 3.4 APB peripherals 22
 - 3.4.1 CAN 22
 - 3.4.2 EFT 22
 - 3.4.3 SSP 23
 - 3.4.4 UART 24
 - 3.4.5 I2C 24
 - 3.4.6 SDMMC 25
 - 3.4.7 MTU 25
 - 3.4.8 WDT 25
 - 3.4.9 GPIO 25
 - 3.4.10 ADC 25
 - 3.4.11 RTC 25
 - 3.4.12 MSP 26

4	Electrical characteristics	27
4.1	Parameter conditions	27
4.2	Minimum and maximum values	27
4.3	Typical values	27
4.4	Typical curves	27
4.5	Absolute maximum ratings	27
4.6	Recommended DC operating conditions	29
4.7	DC characteristics	30
4.8	AC characteristics	32
	4.8.1 RF electrical specifications	32
	4.8.2 Oscillator electrical specifications	33
	4.8.3 OSCI oscillator specifications	35
	4.8.4 ADC specifications	35
5	Package and packing information	37
5.1	ECOPACK® packages	37
5.2	TFBGA169 9 x 9 x 1.2 mm package information	37
6	Ordering information	39
7	Revision history	40

List of tables

Table 1.	TFBGA169 ball out Automotive Grade	8
Table 2.	Power supply pins	9
Table 3.	Main function pins	10
Table 4.	Test/emulated dedicated pins	10
Table 5.	FSMC external memory interface pins	11
Table 6.	SQI pins	13
Table 7.	Communication interface pins	14
Table 8.	Multimedia card pins	17
Table 9.	General purpose pins	18
Table 10.	RF front-end pins	19
Table 11.	TCM Configuration	21
Table 12.	Voltage characteristics	27
Table 13.	Thermal characteristics	28
Table 14.	Frequency limits	28
Table 15.	Power consumption	29
Table 16.	Recommended DC operating conditions	29
Table 17.	SMPS DC characteristics	30
Table 18.	LDO1 DC characteristics	30
Table 19.	LDO2 DC characteristics	31
Table 20.	Low voltage detection thresholds	31
Table 21.	I/O buffers DC characteristics	31
Table 22.	1.0 V I/O buffers DC characteristics	32
Table 23.	RFCHAIN – GALGPS filter and VGA	32
Table 24.	RFCHAIN – GLONASS/BeiDou filter and VGA	33
Table 25.	Synthesizer	33
Table 26.	Crystal recommended specifications	34
Table 27.	Oscillator amplifier specifications	34
Table 28.	Characteristics of external slow clock input	35
Table 29.	SARADC specifications	36
Table 30.	TFBGA169 9 x 9 x 1.2 mm mechanical data	37
Table 31.	Document revision history	40

List of figures

Figure 1. STA8090EXGA system block diagram 7
Figure 2. 32.768 kHz crystal connection 35
Figure 3. SARADC connections. 36
Figure 4. TFBGA169 9 x 9 x 1.2 mm package dimension 38
Figure 5. Ordering information scheme 39

1 Overview

STA8090EXGA is one of the part number of Teseo III STA8090x series.

STA8090EXGA is a highly integrated System-On-Chip GNSS receiver designed for high-flexible and cost effective solution addressing hand-held, in-dash navigation and Telematics applications.

STA8090EXGA embeds the new ST GNSS positioning engine capable of receiving signals from multiple satellite navigation systems, including the US GPS, European Galileo, Russia's GLONASS, Chinese BeiDou and Japan's QZSS.

The STA8090EXGA ability of tracking simultaneously the signals from multiple satellites regardless of their constellation, make this chip capable of delivering exceptional accuracy in urban canyons and in the environments where buildings and other obstructions make satellite visibility challenging.

STA8090EXGAD can be offered also bundled with STMicroelectronics dead reckoning firmware called TESEO-DRAW; TESEO-DRAW firmware is a multi-sensors data fusion hub for Teseo family IC's.

STA8090EXGA embeds innovative power management unit with switching regulator for power consumption optimization.

The extended voltage supply range from 1.6 V to 4.3 V, the 1.8 V and 3.3 V I/O compliance support make the STA8090EXGA the suitable solution for different user applications.

The STA8090EXGA combines a high performance ARM946 microprocessor with I/O capabilities and enhanced peripherals. It embeds FSMC for interfacing external memories (NOR and SRAM).

It supports USB2.0 standard at full speed (12 Mbps) with on-chip PHY.

The chip embeds backup logic with real time clock.

The STA8090EXGA, using STMicroelectronics CMOSRF Technology, is housed in a FBGA169 (9 x 9 x 1.2 mm) 0.65mm pitch package.

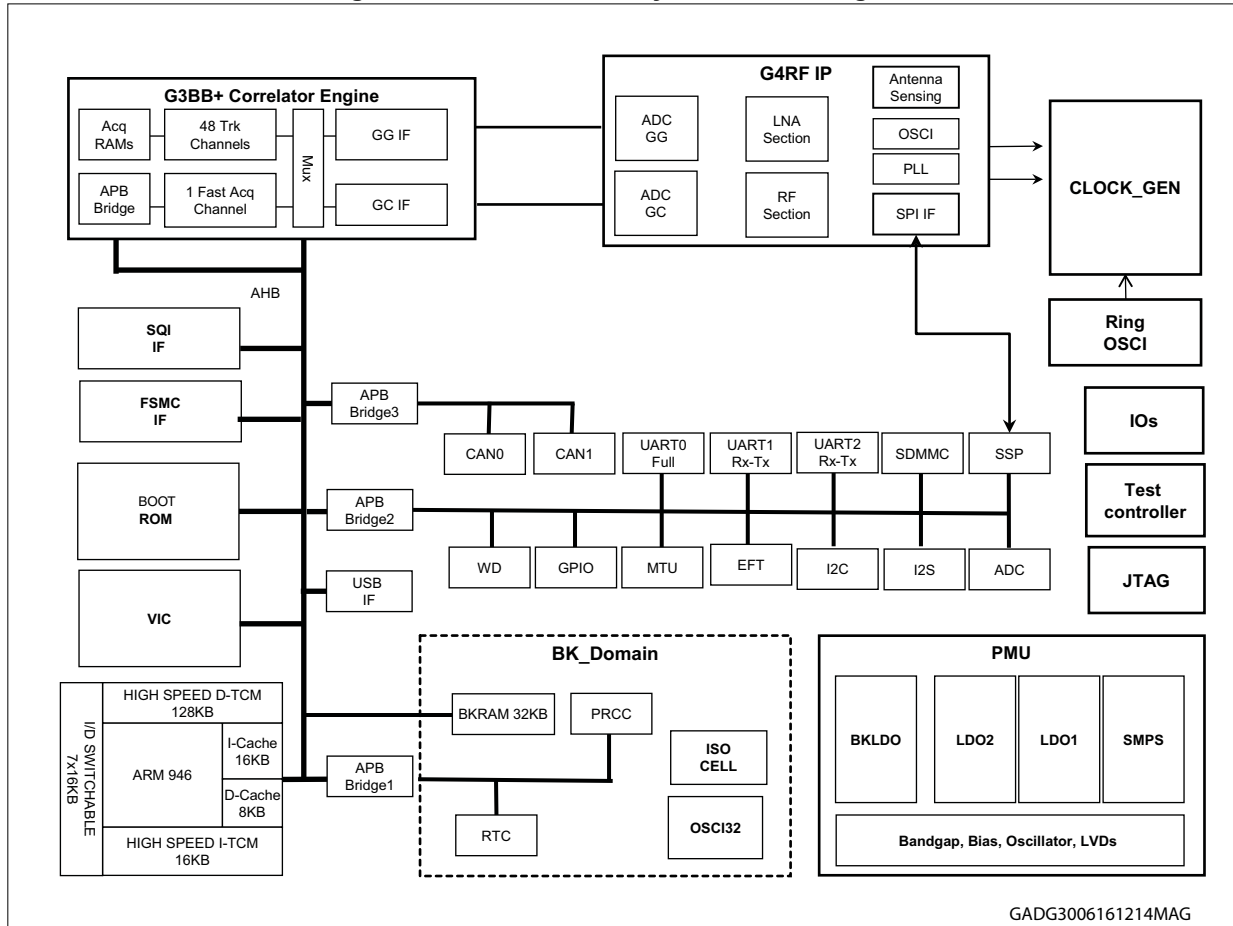
STA8090EXGA is compliant with ST Automotive Grade qualification which includes in addition to AEC-Q100 requirements a set of production flow methodologies targeting zero defect per million.

The device, fulfilling the high quality and service level requirements of the automotive market, is the ideal solution for in-dash navigation and OEM telematics applications.

2 Pin description

2.1 Block diagram

Figure 1. STA8090EXGA system block diagram





2.2 TFBG_A169 ball out

Table 1. TFBGA169 ball out Automotive Grade

	1	2	3	4	5	6	7	8	9	10	11	12	13	
A	VINM	VINM	FMSC_DATA8	FMSC_DATA5	FMSC_DATA3	FMSC_DATA1	UART0_DSR	UART0_CTS	VINL1	VOL1	GND	VINB	VOB	A
B	VLX	VLX	FMSC_DATA13	FMSC_DATA11	FMSC_DATA9	FMSC_DATA0	UART0_RX	UART0_RTS	SPI_DO	SPI_DI	SPI_CLK	SPI_CSN	GND	B
C	GND	GND	FMSC_DATA12	FMSC_DATA4	FMSC_DATA6	UART0_DCD	UART0_TX	UART2_RX	ADC_IN5	ADC_IN6	ADC_IN2	ADC_IN1	ADC_IN4	C
D	VOM	FMSC_DATA15	FMSC_DATA2	FMSC_DATA7	GND	UART0_DTR	UART2_TX	GND	ADC_IN8	VDD_ADC	ADC_IN3	ADC_IN7	Reserved	D
E	VDD_ANA	GND	FMSC_CS1	FMSC_DATA10	FMSC_DATA14	VDDIO_R1	VDDIO_FSMC	GPIO1	GPIO0	RTC_XTI	RTC_XTO	CAN0_RX	I2C_SD	E
F	GND	FMSC_BLN1	FMSC_CS0	FMSC_BLN0	FMSC_WEN	GND	GND	VDDD	GND	WAKEUP1	WAKEUP0	CAN0_TX	I2C_CLK	F
G	FMSC_ADD16	FMSC_ADV	FMSC_CLK	FMSC_CS2	GND	GND	GND	VDDD	RSTn	VDD_SQI	SQI_SIO0/SI	SQI_SIO1/SO	SQI_SIO2	G
H	FMSC_ADD13	FMSC_OUTEN	FMSC_WTN	NC	TDO ⁽¹⁾	VDDD	VDDD	VDDD	STDBYn	PMU_CFG	SQI_SIO3	SQI_CLK	SQI_CEN	H
J	FMSC_ADD14	FMSC_ADD10	FMSC_ADD3	FMSC_ADD15	TDI ⁽¹⁾	TCK ⁽¹⁾	TRSTn ⁽²⁾	GPIO19	GPIO11	STDBY_OUT	GPIO3	GPIO2	VCC_PLL	J
K	FMSC_ADD11	FMSC_ADD9	FMSC_ADD5	FMSC_ADD6	FMSC_ADD12	TMS ⁽¹⁾	MMC_D1	MMC_D3	GPIO13	GND	GND	XTAL_IN	XTAL_OUT	K
L	USB_DP	FMSC_ADD7	FMSC_ADD21	FMSC_ADD1	FMSC_ADD8	FMSC_ADD17	MMC_CLK	GPIO12	GPIO10	GND	GND	ANT_SENSE2	VCC_CHAIN	L
M	USB_DM	FMSC_ADD0	FMSC_ADD2	FMSC_ADD4	FMSC_ADD20	FMSC_ADD22	MMC_D2	TP_IF_P	GND_LNA	GND_LNA	GND_LNA	GND	ANT_SENSE1	M
N	GND	VDDIO_R2	FMSC_ADD19	FMSC_ADD18	FMSC_ADD23	MMC_D0	MMC_CMD	TP_IF_N	VCC_RF	LNA_IN	VOL2	VINL2	GND	N
	1	2	3	4	5	6	7	8	9	10	11	12	13	

1. NC for STA8090EXGAJ and STA8090EXGAJD
2. GND for STA8090EXGAJ and STA8090EXGAJD

2.3 Power supply pins

Table 2. Power supply pins

Symbol	I/O voltage	I/O	Description	STA8090EXGA
VCC_CHAIN	1.2 V	PWR	Analog supply voltage for RF chain (1.2 V)	L13
VCC_PLL	1.2 V	PWR	Analog supply voltage for PLL RF (1.2 V)	J13
VCC_RF	1.2 V	PWR	Analog supply voltage for RF (1.2 V)	N9
VDD_ADC	1.8 V	PWR	Digital supply voltage for ADC (1.8 V)	D10
VDD_SQI	1.8 V or 3.3 V	PWR	Digital supply voltage for SQI	G10
VDDD	1.2 V	PWR	Digital supply voltage	F8, G8, H6, H7, H8
VDDIO_FSMC	1.8 V or 3.3 V	PWR	Digital supply voltage for I/O ring FSMC (1.8 V or 3.3V)	E7
VDDIO_R1	1.8 V or 3.3 V	PWR	Digital supply voltage for I/O ring 1 (1.8 V or 3.3V)	E6
VDDIO_R2	3.3 V	PWR	Digital supply voltage for I/O ring 2 (3.3 V)	N2
VINB	1.6 V - 4.3 V	PWR	Backup LDO input supply voltage (1.6 V to 4.3 V)	A12
VINL1	1.6 V - 4.3 V	PWR	LDO1 input supply voltage (1.6 V to 4.3 V)	A9
VINL2	1.6 V - 4.3 V	PWR	LDO2 input supply voltage (1.6 V to 4.3 V)	N12
VINM	1.6 V - 4.3 V	PWR	SMPS coil input supply (1.6 V to 4.3 V)	A1, A2
VDD_ANA	1.6 V - 4.3 V	PWR	SMPS input supply (1.6 V to 4.3 V)	E1
VLX	0 V - 4.3 V	PWR	SMPS coil output	B1, B2
VOB	1.0 V	PWR	LDO backup output voltage (1.0 V)	A13
VOL1	1.2 V or 1.8 V	PWR	LDO1 output voltage: PMU_CFG = high -> 1.2 V PMU_CFG = low -> 1.8 V	A10
VOL2	1.2 V	PWR	LDO2 output voltage (1.2 V)	N11
VOM	1.2 V or 1.8 V	PWR	SMPS output voltage PMU_CFG = high -> 1.8 V PMU_CFG = low -> 1.2 V	D1
GND	GND	GND	Ground	A11, B13, C1, C2, D5, D8, E2, F1, F6, F7, F9, G5, G6, G7, K10, K11, L10, L11, M12, N1, N13
GND_LNA	GND	GND	Ground	M9, M10, M11

2.4 Main function pins

Table 3. Main function pins

Symbol	I/O voltage	I/O	Description	STA8090EXG A
ADC_IN1	1.4 V – 0 V typ range	I	ADC Analog input [1]	C12
ADC_IN2	1.4 V – 0 V typ range	I	ADC Analog input [2]	C11
ADC_IN3	1.4 V – 0 V typ range	I	ADC Analog input [3]	D11
ADC_IN4	1.4 V – 0 V typ range	I	ADC Analog input [4]	C13
ADC_IN5	1.4 V – 0 V typ range	I	ADC Analog input [5]	C9
ADC_IN6	1.4 V – 0 V typ range	I	ADC Analog input [6]	C10
ADC_IN7	1.4 V – 0 V typ range	I	ADC Analog input [7]	D12
ADC_IN8	1.4 V – 0 V typ range	I	ADC Analog input [8]	D9
PMU_CFG	1.0 V	I	Power management unit config pin High -> VOL1 = 1.1 V, VOM = 1.8 V Low -> VOL1 = 1.8 V, VOM = 1.1 V	H10
RSTn	1.0 V	I	Reset Input with Schmitt-Trigger characteristics and noise filter.	G9
RTC_XTI	1.0 V (max)	I	Input of the 32 KHz oscillator amplifier circuit and input of the internal real time clock circuit.	E10
RTC_XTO	1.0 V (max)	O	Output of the oscillator amplifier circuit.	E11
STDBY_OUT	1.0 V	O	When low, indicates the chip is in Standby mode	J10
STDBYn	1.0 V	I	When low, the chip is forced in Standby Mode - All pins in high impedance except the ones powered by Backup supply	H9
WAKEUP0	1.0 V	I	WAKEUP from STANDBY mode	F11
WAKEUP1	1.0 V	I	WAKEUP from STANDBY mode	F10

2.5 Test / emulated dedicated pins

Table 4. Test/emulated dedicated pins

Symbol	I/O voltage	I/O	Description	STA8090EXGA
TCK ⁽¹⁾	VDDIO_R2	I	JTAG Test Clock	J6
TDI ⁽¹⁾	VDDIO_R2	I	JTAG Test Data In	J5
TDO ⁽¹⁾	VDDIO_R2	O	JTAG Test Data Out	H5
TMS ⁽¹⁾	VDDIO_R2	I	JTAG Test Mode Select	K6
TRSTn ⁽¹⁾	VDDIO_R2	I	JTAG Test Circuit Reset	J7
TP_IF_N	1.2 V	O	Diff. Test Point for IF — Neg.	N8
TP_IF_P	1.2 V	O	Diff. Test Point for IF — Pos.	M8

1. Not available for STA8090EXGAJ and STA8090EXGAJD

2.6 FSMC external memory interface pins

Table 5. FSMC external memory interface pins

Symbol	I/O voltage	I/O	Alternative function	Function	Description	STA8090EXGA
FSMC_ADD0	VDDIO_FSMC	O	AF0 (default)	FSMC_ADD0	FSMC EMI address bus	M2
		I/O	AF1, AF2, AF3	GPIO32	General purpose I/O #32	
FSMC_ADD1	VDDIO_FSMC	O	AF0 (default)	FSMC_ADD1	FSMC EMI address bus	L4
		I/O	AF1, AF2, AF3	GPIO33	General purpose I/O #33	
FSMC_ADD2	VDDIO_FSMC	O	AF0 (default)	FSMC_ADD2	FSMC EMI address bus	M3
		I/O	AF1, AF2, AF3	GPIO34	General purpose I/O #34	
FSMC_ADD3	VDDIO_FSMC	O	AF0 (default)	FSMC_ADD3	FSMC EMI address bus	J3
		I/O	AF1, AF2, AF3	GPIO35	General purpose I/O #35	
FSMC_ADD4	VDDIO_FSMC	O	AF0 (default)	FSMC_ADD4	FSMC EMI address bus	M4
		I/O	AF1, AF2, AF3	GPIO36	General purpose I/O #36	
FSMC_ADD5	VDDIO_FSMC	O	AF0 (default)	FSMC_ADD5	FSMC EMI address bus	K3
		I/O	AF1, AF2, AF3	GPIO37	General purpose I/O #37	
FSMC_ADD6	VDDIO_FSMC	O	AF0 (default)	FSMC_ADD6	FSMC EMI address bus	K4
		I/O	AF1, AF2, AF3	GPIO38	General purpose I/O #38	
FSMC_ADD7	VDDIO_FSMC	O	AF0 (default)	FSMC_ADD7	FSMC EMI address bus	L2
		I/O	AF1, AF2, AF3	GPIO39	General purpose I/O #39	
FSMC_ADD8	VDDIO_FSMC	O	AF0 (default)	FSMC_ADD8	FSMC EMI address bus	L5
		I/O	AF1, AF2, AF3	GPIO40	General purpose I/O #40	
FSMC_ADD9	VDDIO_FSMC	O	AF0 (default)	FSMC_ADD9	FSMC EMI address bus	K2
		I/O	AF1, AF2, AF3	GPIO41	General purpose I/O #41	
FSMC_ADD10	VDDIO_FSMC	O	AF0 (default)	FSMC_ADD10	FSMC EMI address bus	J2
		I/O	AF1, AF2, AF3	GPIO42	General purpose I/O #42	

Table 5. FSMC external memory interface pins (continued)

Symbol	I/O voltage	I/O	Alternative function	Function	Description	STA8090EXGA
FSMC_ADD11	VDDIO_FSMC	O	AF0 (default)	FSMC_ADD11	FSMC EMI address bus	K1
		I/O	AF1, AF2, AF3	GPIO43	General purpose I/O #43	
FSMC_ADD12	VDDIO_FSMC	O	AF0 (default)	FSMC_ADD12	FSMC EMI address bus	K5
		I/O	AF1, AF2, AF3	GPIO44	General purpose I/O #44	
FSMC_ADD13	VDDIO_FSMC	O	AF0 (default)	FSMC_ADD13	FSMC EMI address bus.	H1
		I/O	AF1, AF2, AF3	GPIO45	General purpose I/O #45	
FSMC_ADD14	VDDIO_FSMC	O	AF0 (default)	FSMC_ADD14	FSMC EMI address bus	J1
		I/O	AF1, AF2, AF3	GPIO46	General purpose I/O #46	
FSMC_ADD15	VDDIO_FSMC	O	AF0 (default)	FSMC_ADD15	FSMC EMI address bus	J4
		I/O	AF1, AF2, AF3	GPIO47	General purpose I/O #47	
FSMC_ADD16	VDDIO_FSMC	O	—	FSMC_ADD16	FSMC EMI address bus	G1
FSMC_ADD17	VDDIO_FSMC	O	—	FSMC_ADD17	FSMC EMI address bus	L6
FSMC_ADD18	VDDIO_FSMC	O	—	FSMC_ADD18	FSMC EMI address bus	N4
FSMC_ADD19	VDDIO_FSMC	O	—	FSMC_ADD19	FSMC EMI address bus	N3
FSMC_ADD20	VDDIO_FSMC	O	—	FSMC_ADD20	FSMC EMI address bus	M5
FSMC_ADD21	VDDIO_FSMC	O	—	FSMC_ADD21	FSMC EMI address bus	L3
FSMC_ADD22	VDDIO_FSMC	O	—	FSMC_ADD22	FSMC EMI address bus	M6
FSMC_ADD23	VDDIO_FSMC	O	—	FSMC_ADD23	FSMC EMI address bus	N5
FSMC_ADV	VDDIO_FSMC	O	—	FSMC_ADV	FSMC EMI Address Valid	G2
FSMC_BLN0	VDDIO_FSMC	O	—	FSMC_BLN0	FSMC EMI Byte Lane	F4
FSMC_BLN1	VDDIO_FSMC	O	—	FSMC_BLN1	FSMC EMI Byte Lane	F2
FSMC_CLK	VDDIO_FSMC	O	—	FSMC_CLK	FSMC EMI Clk	G3
FSMC_CS0	VDDIO_FSMC	O	—	FSMC_CS0	FSMC EMI Chip Select for External Memory Bank 0	F3
FSMC_CS1	VDDIO_FSMC	O	—	FSMC_CS1	FSMC EMI Chip Select for External Memory Bank 1	E3
FSMC_CS2	VDDIO_FSMC	O	—	FSMC_CS2	FSMC EMI Chip Select for External Memory Bank 2 / IO_Power Sel Ring FSMC	G4
FSMC_DATA0	VDDIO_FSMC	I/O	—	FSMC_DATA0	FSMC EMI data bus	B6

Table 5. FSMC external memory interface pins (continued)

Symbol	I/O voltage	I/O	Alternative function	Function	Description	STA8090EXGA
FSMC_DATA1	VDDIO_FSMC	I/O	—	FSMC_DATA1	FSMC EMI data bus	A6
FSMC_DATA2	VDDIO_FSMC	I/O	—	FSMC_DATA2	FSMC EMI data bus	D3
FSMC_DATA3	VDDIO_FSMC	I/O	—	FSMC_DATA3	FSMC EMI data bus	A5
FSMC_DATA4	VDDIO_FSMC	I/O	—	FSMC_DATA4	FSMC EMI data bus	C4
FSMC_DATA5	VDDIO_FSMC	I/O	—	FSMC_DATA5	FSMC EMI data bus	A4
FSMC_DATA6	VDDIO_FSMC	I/O	—	FSMC_DATA6	FSMC EMI data bus	C5
FSMC_DATA7	VDDIO_FSMC	I/O	—	FSMC_DATA7	FSMC EMI data bus	D4
FSMC_DATA8	VDDIO_FSMC	I/O	—	FSMC_DATA8	FSMC EMI data bus	A3
FSMC_DATA9	VDDIO_FSMC	I/O	—	FSMC_DATA9	FSMC EMI data bus	B5
FSMC_DATA10	VDDIO_FSMC	I/O	—	FSMC_DATA10	FSMC EMI data bus	E4
FSMC_DATA11	VDDIO_FSMC	I/O	—	FSMC_DATA11	FSMC EMI data bus	B4
FSMC_DATA12	VDDIO_FSMC	I/O	—	FSMC_DATA12	FSMC EMI data bus	C3
FSMC_DATA13	VDDIO_FSMC	I/O	—	FSMC_DATA13	FSMC EMI data bus	B3
FSMC_DATA14	VDDIO_FSMC	I/O	—	FSMC_DATA14	FSMC EMI data bus	E5
FSMC_DATA15	VDDIO_FSMC	I/O	—	FSMC_DATA15	FSMC EMI data bus	D2
FSMC_OUTEN	VDDIO_FSMC	O	—	FSMC_OUTEN	FSMC EMI Output Enable	H2
FSMC_WEN	VDDIO_FSMC	O	—	FSMC_WEN	FSMC EMI Write Enable	F5
FSMC_WTN	VDDIO_FSMC	I	—	FSMC_WTN	FSMC EMI Wait (SNOR, CRAM)	H3

2.7 SQI pins

Table 6. SQI pins

Symbol	I/O voltage	I/O	Description	STA8090EXGA
SQI_CEN	VDD_SQI	O	SQI Flash chip enable / IO_Power Sel Ring SQI	H13
SQI_CLK	VDD_SQI	O	SQI Flash clock	H12
SQI_SIO0/SI	VDD_SQI	I/O	SQI Flash data IO 0 / ser. I	G11
SQI_SIO1/SO	VDD_SQI	I/O	SQI Flash data IO 1 / ser. O	G12
SQI_SIO2	VDD_SQI	I/O	SQI Flash data IO 2	G13
SQI_SIO3	VDD_SQI	I/O	SQI Flash data IO 3	H11

2.8 Communication interface pins

Table 7. Communication interface pins

Symbol	I/O voltage	I/O	Alternative function	Function	Description	STA8090EXGA
CAN0_RX	VDDIO_R2	I	AF0 (default)	CAN0_RX	CAN0 receive data input	E12
		I	AF1	UART0_RX	UART0_Rx data	
		I/O	AF2	Tsense	External temperature capture port	
		I/O	AF3	I2C_SD	I2C serial data	
CAN0_TX	VDDIO_R2	O	AF0 (default)	CAN0_TX	CAN0 transmit data output	F12
		O	AF1	UART0_TX	UART0 Tx data	
		I/O	AF2	GPIO7	General purpose I/O #7	
		O	AF3	I2C_CLK	I2C clock	
I2C_CLK	VDDIO_R2	O	AF0 (default)	I2C_CLK	I2C clock	F13
		I/O	AF1	GPIO8	General purpose I/O #8	
		O	AF2	CAN1_TX	CAN1 transmit data output	
		O	AF3	SPI_CLK	SPI clock	
I2C_SD	VDDIO_R2	I/O	AF0 (default)	I2C_SD	I2C serial data	E13
		I/O	AF1	GPIO9	General purpose I/O #9	
		I	AF2	CAN1_RX	CAN1 receive data input	
		I/O	AF3	SPI_CSN	SPI chip select active low	
SPI_CLK	VDDIO_R1	O	AF0 (default)	SPI_CLK	SPI clock	B11
		I/O	AF1	GPIO25	General purpose I/O #25	
		O	AF2	SQI_CLK	SQI Flash clock	
		O	AF3	MMC_CLK	Multimedia Clock line	
SPI_CSN	VDDIO_R1	O	AF0 (default)	SPI_CSN	SPI chip select active low / IO_Power Sel Ring 1	B12
		I/O	AF1	GPIO24	General purpose I/O #24	
		I/O	AF2	SQI_CEN	SQI Flash chip enable	
		I/O	AF3	MMC_CMD	Multimedia card command line	
SPI_DI	VDDIO_R1	I	AF0 (default)	SPI_DI	SPI serial data input / BOOT2	B10
		I/O	AF1	Tsense	External temperature capture port	
		I/O	AF2	SQI_SIO1/SO	SQI Flash data IO 1 / ser. 0	
		I/O	AF3	MMC_D0	Multimedia card data 0	

Table 7. Communication interface pins (continued)

Symbol	I/O voltage	I/O	Alternative function	Function	Description	STA8090EXGA
SPI_DO	VDDIO_R1	O	AF0 (default)	SPI_DO	SPI serial data output	B9
		I/O	AF1	GPIO27	General purpose I/O #27	
		I/O	AF2	SQI_SIO0/SI	SQI Flash data IO 0 / ser. 1	
		I/O	AF3	MMC_D1	Multimedia card data 1	
UART0_CTS	VDDIO_R1	I	AF0 (default)	UART0_CTS	UART0 clear to send	A8
		I/O	AF1	GPIO15	General purpose I/O #15	
		O	AF2	i2s_out_sclk	MSP serial clock output	
		O	AF3	Clock GNSS	GNSS clock out	
UART0_DCD	VDDIO_R1	I	AF0 (default)	UART0_DCD	UART0 data carrier detect	C6
		I/O	AF1	GPIO17	General purpose I/O #17	
		O	AF2	i2s_out_sdata	MSP serial data output	
		O	AF3	Clock GNSS	GNSS clock out	
UART0_DSR	VDDIO_R1	I	AF0 (default)	UART0_DSR	UART0 data set ready	A7
		I/O	AF1	GPIO16	General purpose I/O #16	
		O	AF2	i2s_out_lrclk	MSP left/right clock output	
		O	AF3	Sign GC	GLONASS and BeiDou 3-bit coding output (Sign)	
UART0_DTR	VDDIO_R1	O	AF0 (default)	UART0_DTR	UART0 data terminal read	D6
		I/O	AF1	GPIO18	General purpose I/O #18	
		I	AF2	Timer_ICAPA	Extended Function Timer - Input Capture A	
		O	AF3	Mag_1 GG	GPS and Galileo 3-bit coding Output (MAG1)	
UART0_RTS	VDDIO_R1	O	AF0 (default)	UART0_RTS	UART0 request to send	B8
		I/O	AF1	GPIO14	General purpose I/O #14	
		O	AF2	TCXO_OUT	TCXO out clock	
		O	AF3	Sign GG	GPS and Galileo 3-bit coding output (Sign)	
UART0_RX	VDDIO_R1	I	AF0 (default)	UART0_RX	UART0 Rx data	B7
		O	AF1	SPI_DO	SPI serial data output	
		I/O	AF2	SQI_SIO2	SQI Flash data IO 2	
		I	AF3	Timer_ICAPA	Extended Function Timer - Input Capture A	

Table 7. Communication interface pins (continued)

Symbol	I/O voltage	I/O	Alternative function	Function	Description	STA8090EXGA
UART0_TX	VDDIO_R1	O	AF0 (default)	UART0_TX	UART0 Tx data / BOOT1	C7
		I	AF1	SPI_DI	SPI serial data input	
		I/O	AF2	SQI_SIO3	SQI Flash data IO 3	
		O	AF3	Timer_OCMPA	Extended Function Timer – Output Compare A	
UART2_RX	VDDIO_R1	I	AF0 (default)	UART2_RX	UART2 Rx data	C8
		I/O	AF1	GPIO28	General purpose I/O #28	
		I/O	AF2	I2C_SD	I2C serial data	
		I/O	AF3	MMC_D2	Multimedia card data 2	
UART2_TX	VDDIO_R1	O	AF0 (default)	UART2_TX	UART2 Tx data / BOOT0	D7
		I/O	AF1	GPIO29	General purpose I/O #29	
		O	AF2	I2C_CLK	I2C clock	
		I/O	AF3	MMC_D3	Multimedia card data 2	
USB_DM	VDDIO_R2	USB	AF0	USB_DM	USB D- signal	M1
		I	AF1 (default)	UART1_RX	UART1 Rx data	
		I	AF2	CAN1_RX	CAN1 receive data input	
		I/O	AF3	I2C_SD	I2C serial data	
USB_DP	VDDIO_R2	USB	AF0	USB_DP	USB D+ signal	L1
		O	AF1 (default)	UART1_TX	UART1 Tx data	
		O	AF2	CAN1_TX	CAN1 transmit data output	
		O	AF3	I2C_CLK	I2C clock	

2.9 Multimedia card pins

Table 8. Multimedia card pins

Symbol	I/O voltage	I/O	Alternative function	Function	Description	STA8090EXGA
MMC_CLK	VDDIO_R2	O	AF0 (default)	MMC_CLK	Multimedia Clock line	L7
		O	AF1	i2s_out_lrclk	MSP left/right clock output	
		I	AF2	Timer_ICAPA	Extended Function Timer - Input Capture A	
		I/O	AF3	GPIO4	General purpose I/O #4	
MMC_CMD	VDDIO_R2	I/O	AF0 (default)	MMC_CMD	Multimedia card command line	N7
		O	AF1	i2s_out_sdata	MSP serial data output	
		O	AF2	CAN0_TX ⁽¹⁾	CAN0 transmit data output	
		I/O	AF3	GPIO5	General purpose I/O #5	
MMC_D0	VDDIO_R2	I/O	AF0 (default)	MMC_D0	Multimedia card data 0	N6
		O	AF1	i2s_out_sclk	MSP serial clock output	
		I/O	AF2	I2C_SD	I2C serial data	
		I/O	AF3	GPIO20	General purpose I/O #20	
MMC_D1	VDDIO_R2	I/O	AF0 (default)	MMC_D1	Multimedia card data 1	K7
		I	AF1	i2s_in_sdata	MSP serial data input	
		O	AF2	Sign GC	GLONASS and BeiDou 3-bit coding output (Sign)	
		I/O	AF3	GPIO21	General purpose I/O #21	
MMC_D2	VDDIO_R2	I/O	AF0 (default)	MMC_D2	Multimedia card data 2	M7
		I/O	AF1	Reserved	Reserved	
		I	AF2	CAN0_RX ⁽¹⁾	CAN0 receive data input	
		I/O	AF3	Tsense	External temperature capture port	
MMC_D3	VDDIO_R2	I/O	AF0 (default)	MMC_D3	Multimedia card data 3	K8
		I/O	AF1	Reserved	Reserved	
		O	AF2	Sign GG	GPS 3-bit coding output (Sign)	
		I/O	AF3	GPIO23	General purpose I/O #23	

1. Only for STA8090EXGAA and STA8090EXGAB.

2.10 General purpose pins

Table 9. General purpose pins

Symbol	I/O voltage	I/O	Alternative function	Function	Description	STA8090EXGA
GPIO0	VDDIO_R1	I/O	AF0 (default)	GPIO0	General purpose I/O #0	E9
		I	AF1	PPS_IN	Pulse per second input	
		O	AF2	Timer_OCMPB	Extended Function Timer – Output Compare B	
		O	AF3	Mag_0 GC	GLONASS and BeiDou 3-bit coding Output (MAG0)	
GPIO1	VDDIO_R1	I/O	AF0 (default)	GPIO1	General purpose I/O #1 / BOOT3	E8
		I	AF1	i2s_in_sdata	MSP serial data input	
		O	AF2	PPS_OUT	Pulse per second output	
		I/O	AF3	Tsense	External temperature capture port	
GPIO2	VDDIO_R2	I/O	AF0 (default)	GPIO2	General purpose I/O #2	J12
		I	AF1	Reserved	Reserved	
		I	AF2	Timer_ICAPB	Extended Function Timer - Input Capture B	
		O	AF3	Mag_1 GC	GLONASS and BeiDou 3-bit coding Output (MAG1)	
GPIO3	VDDIO_R2	I/O	AF0 (default)	GPIO3	General purpose I/O #3	J11
		I	AF1	Reserved	Reserved	
		O	AF2	Timer_OCMPA	Extended Function Timer – Output Compare A	
		O	AF3	Mag_0 GG	GPS and Galileo 3-bit coding Output (MAG0)	
GPIO10	VDDIO_R2	I/O	AF0 (default), AF1	GPIO10	General purpose I/O #10	L9
		I	AF2	Timer_ICAPA	Extended Function Timer - Input Capture A	
		O	AF3	Timer_OCMPB	Extended Function Timer – Output Compare B	
GPIO11	VDDIO_R2	I/O	AF0 (default), AF1	GPIO11	General purpose I/O #11	J9
		O	AF2	Timer_OCMPA	Extended Function Timer – Output Compare A	
		I	AF3	Timer_ICAPB	Extended Function Timer - Input Capture B	

Table 9. General purpose pins (continued)

Symbol	I/O voltage	I/O	Alternative function	Function	Description	STA8090EXGA
GPIO12	VDDIO_R2	I/O	AF0 (default), AF1, AF2, AF3	GPIO12	General purpose I/O #12	L8
GPIO13	VDDIO_R2	I/O	AF0 (default), AF1, AF2, AF3	GPIO13	General purpose I/O #13	K9
GPIO19	VDDIO_R2	I/O	AF0 (default), AF1, AF2, AF3	GPIO19	General purpose I/O #19	J8

2.11 RF front-end pins

Table 10. RF front-end pins

Symbol	I/O voltage	I/O	Description	STA8090EXGA
ANT_SENSE1	3.3 V	I	Antenna sensing input 1	M13
ANT_SENSE2	3.3 V	I	Antenna sensing input 2	L12
LNA_IN	1.2 V	I	Low Noise Amplifier Input	N10
XTAL_IN	1.2 V	I	Input Side of Crystal Oscillator or TCXO Input	K12
XTAL_OUT	1.2 V	O	Output Side of Crystal Oscillator	K13

3 General description

3.1 RF front end

The RF front-end is able to down-convert both the GPS-Galileo signal from 1575.42 MHz to 4.092 MHz (4 Fo, being F0 = 1.023 MHz), the GLONASS signal from 1601.718 MHz to 8.57 MHz and the BeiDou signal from 1561.098 MHz to 10.23 MHz.

It embeds high performance LNA minimizing external component count and a LDO to supply the internal core facilitating requirements for external power supply. A three bits ADC converts the IF signals to sign (SIGN) and magnitude (MAG0 and MAG1). They can be sampled or not by SPI. The magnitude bits are internally integrated in order to control the variable gain amplifiers. The VGA gain can be also set by the SPI interface.

The RF tuner accepts a wide range of reference clocks (10 to 52 MHz) and can generate 64 Fo sampling clock for the baseband and 192 Fo clock for MCU subsystem.

3.2 GPS/Galileo/GLONASS/BeiDou Base Band (G3BB+) processor

STA8090EXGA integrates G3BB+ proprietary IP, which is the ST last generation high-sensitivity Baseband processor fully compliant with GPS, Galileo, GLONASS and BeiDou systems.

The baseband receives, from the embedded RF Front-End, two separate IF signals coded in sign-magnitude digital format on 3 bits and the related clocks. The Galileo/GPS (GALGPS) and GLONASS/BeiDou (GNSCOM) signals at the base band inputs are centered on 4.092 MHz, 8.57 MHz and 10.23 MHz.

The baseband processes the two IF signals performing data codification, sample rate conversion and final frequency conversion to zero IF before acquisition and tracking correlations.

The baseband processor has the capability of acquire and track the Galileo, GPS, GLONASS and BeiDou signals in a simultaneous or single way, or a combination of three, being GLONASS and BeiDou mutually exclusive. The number of tracking channels to be used is programmable; the not used tracking channels can be powered down.

A complete multi-OS software library is provided by ST to handle GPS processing, managing satellite acquisition, tracking, pseudo-range calculation and positioning, generating the output in the standard NMEA message format or in a ST binary format. The library includes support of ST self-trained assisted GPS (ST-AGPS), a complete and scalable solution for assisting GPS start-up with autonomous and server-based ephemeris prediction and extension.

3.3 MCU Subsystem

The implemented sub-system includes an AHB Lite bus matrix.

An ARM946 core is embedded in the sub-system and masters the AHB bus. The totally available TCM SRAM is 256 KB. The amount of memory on ITCM and DTCM can be

configured by the ARM946 (see *Table 11: TCM Configuration*). ITCM can be configured as $N_i \times 16$ KB; DTCM can be configured as $128 + N_d \times 16$ KB, where $N_i + N_d = 8$, $N_i \geq 1$.

Table 11. TCM Configuration

TCMcfg [2]	TCMcfg [1]	TCMcfg [0]	ITCM	DTCM
0	0	0	16 KB	240 KB
0	0	1	32 KB	224 KB
0	1	0	48 KB	208 KB
0	1	1	64 KB	192 KB
1	0	0	80 KB	176 KB
1	0	1	96 KB	160 KB
1	1	0	112 KB	144 KB
1	1	1	128 KB	128 KB

3.3.1 AHB slaves

- G3 APB port that allows to interface with the G3BB acquisition memory and control registers.
- 512 Kbytes ROM
- Vectored Interrupt Controller (VIC).
- FSMC external memory interface
- SQI flash memory controller
- 3 x ARM946 APB peripheral bus (APB1, APB2, APB3).

Vectored Interrupt Controller (VIC)

This Vectored Interrupt Controller (VIC) allows the operative system interrupt handler to quickly dispatch interrupt service routines in response to peripheral interrupts. It provides a software interface to the interrupt system. There are up to 64 interrupt lines. The VIC uses a bit position for each different interrupt source.

The software can control each request line to generate software interrupts. Each interrupt line can be independently enabled and configured to trigger a non-vectored Normal Interrupt Request (IRQ) or Fast Interrupt Request (FIQ) to the ARM946 CPU. Sixteen interrupt lines can also be selected to trigger a vectored IRQ.

The VIC has two operation modes: the user mode and the privilege mode, in order to have the possibility to set (or not) one level of protection during execution.

FS USB device controller

Full speed USB device with transceiver. It is an AHB slave. When active requires a 48 MHz clock XTAL_IN.

FSMC external memory interface

16-bit non-muxed memory interface for burst NOR Flash, SRAM and NAND.

SQI Flash interface

STA8090EXGA includes a high-performance interface to Serial Quad Interface (SQI) NOR Flash chips, to support a low-cost simple implementation.

3.4 APB peripherals

3.4.1 CAN

The 2 CAN cores perform communication according to the CAN protocol version 2.0 part A and B. The bit rate can be programmed to values up to 1 MBit/s. For the connection to the physical layer, additional transceiver hardware is required.

CAN consists of the CAN core, message RAM, message handler, control registers and module. For communication on a CAN network, individual message objects are configured. The message objects and identifier masks for acceptance filtering of received messages are stored in the message RAM. All functions concerning the handling of messages are implemented in the message handler. These functions include acceptance filtering, the transfer of messages between the CAN core and the message RAM, and the handling of transmission requests as well as the generation of the module interrupt.

The register set of the CAN can be accessed directly by the CPU through the module interface. These registers are used to control/configure the CAN core and the message handler and to access the message RAM.

CAN features

- Supports CAN protocol version 2.0 part A and B
- 32 messages objects
- Each message object has its own identifier mask
- Maskable interrupt
- Disabled automatic re-transmission mode for time triggered CAN applications
- Programmable loop-back mode for self-test operation
- Two 16-bit module interfaces to the AMBA APB bus from ARM

3.4.2 EFT

The Extended Function Timer (EFT) consists of a 16-bit counter driven by a programmable prescaler.

It may be used for a variety of purposes, including pulse length measurement of up to two input signals (input capture), generation of up to two output waveforms (output compare) and one PWM generation. Pulse lengths and waveform periods can be modulated from a very wide range using the timer prescaler.

EFT features

- Programmable prescaler: f_{APB} divided from 1 to 256, prescaler register (0 to 255) value +1.
- Overflow status flag and maskable interrupts.
- Output compare functions with:
 - 2 dedicated 16-bit registers
 - 2 dedicated programmable signals
 - 2 dedicated status flags
 - 2 dedicated interrupt flags
- Input capture functions with:
 - 2 dedicated 16-bit registers
 - 2 dedicated active edge selection signals
 - 2 dedicated status flags
 - 2 dedicated interrupt flags
- Pulse Width Modulation mode (PWM).
- One Pulse Mode (OPM).
- PWM input mode.
- Timer global interrupt (5 internally ORed)
 - ICIA: timer input capture A interrupt
 - ICIB: timer input capture B interrupt
 - OCIA: timer output compare A interrupt
 - OCIB: timer output compare B interrupt
 - TOI: timer overflow interrupt

3.4.3 SSP

The SSP is a master interface for synchronous serial communication with peripheral devices that have Motorola SPI.

The SSP performs serial-to-parallel conversion on data received from a peripheral device on SPI_DI pin, and parallel-to-serial conversion on data written by CPU for transmission on SPI_DO pin. The transmit and receive paths are buffered with internal FIFO memories allowing up to 32 x 32-bit values to be stored independently in both transmit and receive modes. FIFOs may be burst-loaded or emptied by the system processor or DMA, from one to eight words per transfer. Each 32-bit word from the system fills one entry in FIFO.

The SSP includes a programmable bit rate clock divider and prescaler to generate the serial output clock SSPCLK from the on-chip clock. One combined interrupt is delivered, which is asserted from several internal maskable events.

SSP features

The SSP has the following features:

- Parallel-to-serial conversion on data written to an internal 32-bit wide, 32-location deep transmit FIFO
- Serial-to-parallel conversion on received data, buffering it in a 32-bit wide, 32-location deep receive FIFO
- Programmable data frame size from 4 to 32 bits
- Programmable clock bit rate and prescaler
- Programmable clock phase and polarity in SPI mode

3.4.4 UART

The UARTx (x = 0|1|2) performs serial-to-parallel conversion on data asynchronously received from a peripheral device on UARTx_RX pin, and parallel-to-serial conversion on data written by CPU for transmission on UARTx_TX pin. The transmit and receive paths are buffered with internal FIFO memories allowing up to 64 data byte for transmission, and 64 data byte with 4-bit status (break, frame, parity, and overrun) for receive.

UART features

The UARTx (x = 0|1|2) are Universal Asynchronous Receiver/Transmitter that support much of the functionality of the industry-standard 16C650 UART. The main features are:

- Programmable baud rates up to $UARTCLK / 16$ (1.5 Mbps with $UARTCLK$ at 24 MHz), or up to $UARTCLK / 8$ (3.0 Mbps with $UARTCLK$ at 24 MHz), with fractional baud-rate generator
- 5, 6, 7 or 8 bits of data
- Even, odd, stick or no-parity bit generation and detection
- 1 or 2 stop bit generation
- Support of the modem control functions CTS, RTS, DCD, DSR, RTS, DTS and RI (UART0 only)
- Support of software flow control using programmable Xon/Xoff characters
- False start bit detection
- Line break generation and detection
- Separate 8-bit wide, 64-deep transmit FIFO and 12-bit wide, 64-deep receive FIFO
- Programmable FIFO disabling for 1-byte depth data path

These UARTs vary from industry-standard 16C650 on some minor points which are:

- Receive FIFO trigger levels
- The internal register map address space, and the bit function of each register differ
- The deltas of the modem status signals are not available
- 1.5 stop bits is not supported
- Independent receive clock feature is not supported

3.4.5 I2C

STA8090EXGA includes an I2C interface configurable as master or slave.

3.4.6 SDMMC

STA8090EXGA features an SD/MMC host.

3.4.7 MTU

The 2 Multi Timer Units provide access to eight interrupt generating programmable 32-bit Free-Running decrementing Counters (FRCs). The FRCs have their own clock input, allowing the counters to run from a much slower clock than the system clock.

The FRC is the part of the timer that performs the counting. There are four instantiations of the FRC block in each MTU, allowing eight counts to be performed in parallel. The 32-bit counter in the FRC is split up into two 16-bit counters.

3.4.8 WDT

Watchdog Timer (WDT) provides a way of recovering from software crashes. The watchdog clock is used to generate a regular interrupt (WDOGINT), depending on a programmed value.

The watchdog monitors the interrupt and asserts a reset signal (WDOGRES) if the interrupt remains unserved for the entire programmed period. You can enable or disable the watchdog unit as required.

Note: Watchdog is stalled when the ARM processor is in Debug mode.

3.4.9 GPIO

The GPIO block provides thirty-seven (37) programmable inputs or outputs. Each input or output can be controlled in two modes:

- software mode through an APB bus interface
- alternate mode, where GPIO becomes a peripheral input or output line

Any GPIO input can be independently enabled or disabled (masked) for interrupt generation. User can select for each GPIO which edge (rising, falling, both) will trigger an interrupt.

3.4.10 ADC

10 bit SAR ADC operating at 1.8 V analog supply. It can convert up to 8 single ended channels with analog input multiplexer at 500KSPS

3.4.11 RTC

This is an always-on power domain dedicated to RTC logic (backup system) with 32 Kbyte SRAM and supplied with a dedicated voltage regulator.

The RTC provides a high resolution clock which can be used for GPS. It keeps the time when the system is inactive and can be used to wake the system up when a programmed alarm time is reached. It has a clock trimming feature to compensate for the accuracy of the 32.768 kHz crystal and a secured time update.

RTC features

- 47-bit counter clocked by 32.768 kHz clock
- 32-bit for the integer part (seconds) and 15-bit for the fractional part
- The integer part and the fractional part are readable independently
- The counter, once enabled, can be stopped
- Integer part load register (32-bit)
- Fractional part load register (15-bit)
- Load bit to transfer the content of the entire load register (integer+fractional part) to the 47-bit counter. Once set by the MCU this bit is cleared by the hardware to signal to the MCU that the RTC has been updated.

3.4.12 MSP

The STA8090EXGA provides one MSP transmitter block.

- Element (data) size from 8 to 32 bits, LSB or MSB first
- Programmable frequency shift clock for data transfer
- Direct interface to:
 - industry-standard codecs and serially connected A/D and D/A devices
 - IIS compliant devices
 - SPI compliant devices
- Transmit first-in, first-out memory buffers (FIFOs), 32 bit wide, 8 locations deep

4 Electrical characteristics

4.1 Parameter conditions

Unless otherwise specified, all voltages are referred to GND.

4.2 Minimum and maximum values

Unless otherwise specified the minimum and maximum values are guaranteed in the worst conditions of ambient temperature, supply voltage and frequencies by tests in production on 100%.

STA8090EXGA parts are tested at $t = -40^{\circ}\text{C}$ and $T = 85^{\circ}\text{C}$

4.3 Typical values

Unless otherwise specified, typical data are based on $T_A = 25^{\circ}\text{C}$, $V_{\text{ddio}} = 1.8\text{ V}$, $V_{\text{dd}} = 1.20\text{ V}$. They are given only as design guidelines and are not tested.

4.4 Typical curves

Unless otherwise specified, all typical curves are given only as design guidelines and are not tested.

4.5 Absolute maximum ratings

This product contains devices to protect the inputs against damage due to high static voltages, however it is advisable to take normal precautions to avoid application of any voltage higher than the specified maximum rated voltages.

Table 12 lists the absolute maximum rating for STA8090EXG.

Table 12. Voltage characteristics

Symbol	Parameter	Min.	Max.	Unit
$V_{\text{CC_CHAIN}}$	Analog supply voltage for RF chain (1.2 V)	-0.3	1.32	V
$V_{\text{CC_PLL}}$	Analog supply voltage for PLL RF (1.2 V)	-0.3	1.32	V
$V_{\text{CC_RF}}$	Analog supply voltage for RF (1.2 V)	-0.3	1.32	V
$V_{\text{DD_ADC}}$	Digital supply voltage for ADC (1.8 V)	-0.3	1.98	V
$V_{\text{DD_SQI}}$	Digital supply voltage for SQI	-0.3	3.63	V
V_{DDD}	Power supply pins for the core logic.	-0.3	1.32	V
$V_{\text{DDIO_FSMC}}$	Digital supply voltage for FSMC I/O ring (1.8 V or 3.3 V)	-0.3	3.63	V
$V_{\text{DDIO_R1}}$	Digital supply voltage for I/O ring 1 (1.8 V or 3.3 V)	-0.3	3.63	V
$V_{\text{DDIO_R2}}$	Digital supply voltage for I/O ring 2 (3.3 V)	-0.3	3.63	V

Table 12. Voltage characteristics (continued)

Symbol	Parameter	Min.	Max.	Unit
V _{INB}	Backup LDO input supply voltage (1.6 V to 4.3 V)	-0.3	4.8	V
V _{INL1}	LDO1 input supply voltage (1.6 V to 4.3 V)	-0.3	4.8	V
V _{INL2}	LDO2 input supply voltage (1.6 V to 4.3 V)	-0.3	4.8	V
V _{INM}	SMPS coil input supply (1.6 V to 4.3 V)	-0.3	4.8	V
V _{DD_ANA}	SMPS input supply (1.6 V to 4.3 V)	-0.3	4.8	V
V _{ESD-HBM}	Electrostatic discharge, human body model ⁽¹⁾	-2	2	kV
V _{ESD-CDM}	Electrostatic discharge, charge device model ⁽²⁾	-250	250	V

1. Balls sustaining only ±500 V are: A1, A2, A9, A10, A11, A12, A13, B1, B2, B13, C1, C2, D1, E1, E2, E10, E11, F1, N11, N12, N13.
2. Ball N10 (LNA_IN) sustains only ±100 V.

Note: Stresses above those listed under “Absolute Maximum Ratings” may cause permanent damage to the device. This is a stress rating only and functional operation of the device at these or any other conditions above those indicated in the operational sections of this specification is not implied. Exposure to absolute maximum rating conditions for extended periods may affect device reliability.

Table 13. Thermal characteristics

Symbol	Parameter	Min.	Max.	Unit
T _{oper}	Operative ambient temperature	-40	85	°C
T _j	Operative junction temperature	-40	125	°C
T _{st}	Storage temperature	-55	150	°C
R _{j-amb}	Thermal resistance junction to ambient ⁽¹⁾	—	41	°C/W

1. According to JEDEC specification on a 2 layers board.

Table 14. Frequency limits

Symbol	Parameter	Test condition	Min.	Typ.	Max.	Unit
F _{CLK}	Operating ARM9 CPU frequency	V _{DDD} = 1.2 V; T _C = 85 °C ⁽¹⁾	—	—	196	MHz
F _{AHB}	AHB frequency		—	—	49	MHz

1. Not tested in production.

Table 15. Power consumption

Symbol	Parameter	Test condition	Min.	Typ.	Max.	Unit
P _{RF}	RFIP power (total V _{INL2})	G2 = GPS/Galileo; T _{amb} = 25 °C; V _{INL2} = 1.8 V	—	25	—	mW
		G2 + GLONASS; T _{amb} = 25 °C; V _{INL2} = 1.8 V	—	35	—	mW
		G2 + BeiDou; T _{amb} = 25 °C; V _{INL2} = 1.8 V	—	35	—	mW
P _{MVR} ⁽¹⁾	Switchable area power; (total V _{INL1})	f _{ARM} = 196 MHz; f _{AHB} = 49 MHz; T _{amb} = 25 °C; V _{INL1} = 1.8 V; UART active; other peripherals inactive	—	90	—	mW
P _{LPVR} ⁽¹⁾	Always ON area power (total V _{INB})	f _{ARM} = 196 MHz; f _{AHB} = 49 MHz; T _{amb} = 25 °C; V _{INB} = 3.3 V	—	1	—	mW
P _{IO} ⁽¹⁾	IO rings power (total V _{DDIO_R1} + V _{DDIO_R2})	f _{ARM} = 196 MHz; f _{AHB} = 49 MHz; T _{amb} = 25 °C; V _{INL1} = 1.8 V; UART active; other peripherals inactive	—	4	—	mW
I _{DStandby}	StandBy mode supply current	RTC running = 32.768 KHz; T _{amb} = 25 °C; V _{INB} = 1.8 V	—	29	—	µA
I _{DDeepStandby}	Deep StandBy mode supply current ⁽²⁾		—	7	—	µA

1. Not tested in production.
2. STDBY_OUT pin not supported in deep standby.

4.6 Recommended DC operating conditions

Table 16 lists the functional recommended operating DC parameters for STA8090EXG.

Table 16. Recommended DC operating conditions

Symbol	Parameter	Min.	Typ.	Max.	Unit
V _{CC_CHAIN}	Analog supply voltage for RF chain (1.2 V)	1.08	1.20	1.32	V
V _{CC_PLL}	Analog supply voltage for PLL RF (1.2 V)	1.08	1.20	1.32	V
V _{CC_RF}	Analog supply voltage for RF (1.2 V)	1.08	1.20	1.32	V
V _{DD_ADC}	Digital supply voltage for ADC (1.8 V)	1.71	1.80	1.89	V
V _{DD_SQI}	Digital supply voltage for SQI I/O ring (1.8 V)	1.71	1.80	1.89	V
	Digital supply voltage for SQI I/O ring (3.3 V)	3.00	3.30	3.60	V
V _{DDD}	Power supply pins for the core logic.	1.00	1.10	1.32	V
V _{DDIO_FSMC}	Digital supply voltage for FSMC I/O ring (1.8 V)	1.71	1.80	1.89	V
	Digital supply voltage for FSMC I/O ring (3.3 V)	3.00	3.30	3.60	V

Table 16. Recommended DC operating conditions (continued)

Symbol	Parameter	Min.	Typ.	Max.	Unit
V _{DDIO_R1}	Digital supply voltage for I/O ring 1 (1.8 V)	1.71	1.80	1.89	V
	Digital supply voltage for I/O ring 1 (3.3 V)	3.00	3.30	3.60	V
V _{DDIO_R2}	Digital supply voltage for I/O ring 2 (3.3 V)	3.00	3.30	3.60	V
V _{INB}	Backup LDO input supply voltage (1.6 V to 4.3 V)	1.60	—	4.30	V
V _{INL1}	LDO1 input supply voltage to generate 1.2 V	1.60	—	4.30	V
	LDO1 input supply voltage to generate 1.8 V	2.10	—	4.30	V
V _{INL2}	LDO2 input supply voltage to generate 1.2 V	1.60	—	4.30	V
V _{INM}	SMPS coil input supply voltage to generate 1.2 V	1.60	—	4.30	V
	SMPS coil input supply voltage to generate 1.8 V	2.10	—	4.30	V
V _{DD_ANA}	SMPS input supply (1.6 V to 4.3 V)	1.60	—	4.30	V
T _C	Operating case temperature	-40	—	85	°C

4.7 DC characteristics

Table 17 specifies the SMPS voltage regulator characteristics.

Table 17. SMPS DC characteristics

Symbol	Parameter	Test condition	Min.	Typ.	Max.	Unit
V _{OM}	Output voltage (1.2 V)	$1.6\text{ V} \leq V_{INM} \leq 4.3\text{ V};$ $I_{OM} \leq 100\text{ mA}$	1.1	1.20	1.32	V
	Output voltage (1.8 V)	$2.1\text{ V} \leq V_{INM} \leq 4.3\text{ V};$ $I_{OM} \leq 100\text{ mA}$	1.71	1.80	1.89	V
I _{OM}	Output current		0	—	100	mA

Table 18 specifies the LDO1 voltage regulator characteristics.

Table 18. LDO1 DC characteristics

Symbol	Parameter	Test condition	Min.	Typ.	Max.	Unit
V _{OL1}	Output voltage (1.2V)	$1.6\text{ V} \leq V_{INL1} \leq 4.3\text{ V};$ $I_{OL1} \leq 70\text{ mA}$	1.1	1.20	1.32	V
	Output voltage (1.8V)	$2.1\text{ V} \leq V_{INL1} \leq 4.3\text{ V};$ $I_{OL1} \leq 70\text{ mA}$	1.71	1.80	1.89	V
I _{OL1}	Output current		0	—	70	mA

Table 19 specifies the LDO2 voltage regulator characteristics.

Table 19. LDO2 DC characteristics

Symbol	Parameter	Test condition	Min.	Typ.	Max.	Unit
V _{OL2}	Output voltage	1.6 V ≤ V _{INL2} ≤ 4.3 V; I _{OL2} ≤ 30 mA	1.08	1.20	1.32	V
I _{OL2}	Output current	—	0	—	30	mA

Table 20 specifies the low voltage detection thresholds

Table 20. Low voltage detection thresholds

Parameter		Min.	Typ.	Max.	Unit
Input LVD always on and main VRs ⁽¹⁾	Upper voltage threshold	—	1.680	—	V
	Lower voltage threshold	—	1.650	—	V
Output LVD always on VR ⁽¹⁾	Upper voltage threshold	—	0.995	—	V
	Lower voltage threshold	—	0.935	—	V
Output LVD main VR (1.1 V) ⁽¹⁾	Upper voltage threshold @ V _{OL1/M} = 1.2 V	—	1.142	—	V
	Lower voltage threshold @ V _{OL1/M} = 1.2 V	—	1.076	—	V
	Upper voltage threshold @ V _{OL1/M} = 1.1 V	—	1.048	—	V
	Lower voltage threshold @ V _{OL1/M} = 1.1 V	—	0.986	—	V
Output LVD main VR (1.8 V) ⁽¹⁾	Upper voltage threshold @ V _{OL1/M} = 1.8 V	—	1.645	—	V
	Lower voltage threshold @ V _{OL1/M} = 1.8 V	—	1.626	—	V

1. Not tested in production.

Table 21 lists the DC characteristics for all the IO digital buffers except for the following input buffers: STBYn (H9), STDBY_OUT (J10), WAKEUP0 (F11), WAKEUP1 (F10), PMU_CFG (H10) and RSTn (G9).

Table 21. I/O buffers DC characteristics

Symbol	Parameter	Test conditions	Min.	Typ.	Max.	Unit
V _{IL} ⁽¹⁾	Logical input low level voltage	V _{DDIO} = 1.8 V	-0.3	—	0.3 * V _{DDIO}	V
		V _{DDIO} = 3.3V	-0.3	—	0.8	V
V _{IH} ⁽¹⁾	Logical input high level voltage	V _{DDIO} = 1.8 V	0.7 * V _{DDIO}	—	V _{DDIO} + 0.3	V
		V _{DDIO} = 3.3V	2.0	—	V _{DDIO} + 0.3	V
V _{HYST} ⁽²⁾	Schmitt-trigger hysteresis	—	50	—	—	mV
V _{OL}	Low level output voltage	V _{DDIO} = 1.8 V	—	—	0.4	V
		V _{DDIO} = 3.3V	—	—	0.4	V
V _{OH}	High level output voltage	V _{DDIO} = 1.8 V	V _{DDIO} - 0.4	—	—	V
		V _{DDIO} = 3.3V	V _{DDIO} - 0.4	—	—	V

1. Excludes oscillator inputs RTC_XTI and XTAL_IN. Refer to oscillator electrical specifications.

2. Apply to all digital inputs unless specified otherwise.

Table 22 lists the DC characteristics for the 1.0 V IO digital buffers input buffers: STBYn (H9), STDBY_OUT (J10), WAKEUP0 (F11), WAKEUP1 (F10), PMU_CFG (H10) and RSTn (G9).

Table 22. 1.0 V I/O buffers DC characteristics

Symbol	Parameter	Test conditions	Min.	Typ.	Max.	Unit
V _{IL}	Logical input low level voltage	V _{OB} = 1.0 V	-0.3	—	0.35 * V _{OB}	V
V _{IH}	Logical input high level voltage	V _{OB} = 1.0 V	0.65 * V _{OB}	—	V _{OB} + 0.3	V
V _{OL}	Low level output voltage	V _{OB} = 1.0 V	—	—	0.2	V
V _{OH}	High level output voltage	V _{OB} = 1.0 V	V _{OB} - 0.2	—	—	V

4.8 AC characteristics

4.8.1 RF electrical specifications

Table 23. RFCHAIN – GALGPS filter and VGA

Symbol	Parameter	Test conditions	Min	Typ	Max	Unit
S ₁₁ ⁽¹⁾	Input return loss	GPS band	—	-8	—	dB
f _{IF}	IF frequency	PLL in default condition with 26Mhz as reference	—	4.045	—	MHz
NF	Noise figure	NF overall chain with AGC set at 0 dB	—	2 ⁽¹⁾	—	dB
C _G	Conversion gain from RF input to ADC input	VGA at max gain	—	119	—	dB
		VGA at min gain	—	62	—	dB
IP _{1dB}	RF-IF-VGA input compression point	VGA min	—	-70	—	dBm
IRR	Image rejection ratio		—	20	—	dB
BW _{GPS}	-3dB IF bandwidth	GPS mode	—	2.4	—	MHz
BW _{GAL}		Galileo mode	—	4.8	—	MHz
ATT	Alias frequency rejection	F = 60 MHz (fs = 65.474 MHz)	—	30 ⁽¹⁾	—	dB
T _{gGPS}	IF filter group delay variation	GPS mode	—	—	200 ⁽¹⁾	ns
T _{gGAL}		Galileo mode	—	—	30 ⁽¹⁾	ns

1. Not tested in production.

Table 24. RFCHAIN – GLONASS/BeiDou filter and VGA

Symbol	Parameter	Test conditions	Min	Typ	Max	Unit
S11 ⁽¹⁾	Input return loss	GLONASS band	—	-8	—	dB
		BeiDou band	—	-8	—	
f _{IFGNS/BDU}	IF frequency for GLONASS	PLL in default condition with 26 Mhz as reference	—	8.519	—	MHz
	IF frequency for BeiDou		—	10.277	—	
NF	Noise figure	NF overall chain with AGC set at 0 dB	—	2 ⁽¹⁾	—	dB
C _G	Conversion gain from RF input to ADC input	VGA at max gain	—	118	—	dB
		VGA at min gain	—	61	—	dB
IP _{1dB}	RF-IF-VGA input compression point	VGA min	—	-80	—	dBm
IRR	Image rejection ratio		—	30	—	dB
BW _{GNS/BDU}	-3dB IF bandwidth		—	10	—	MHz
ATT	Alias frequency rejection	F = 53 MHz (fs = 65.474 MHz)	—	30 ⁽¹⁾	—	dB
T _{gGNS/BDU}	IF filter group delay variation		—	—	20 ⁽¹⁾	ns

1. Not tested in production.

Table 25. Synthesizer

Symbol	Parameter	Min.	Typ.	Max.	Unit
F _{TCXO_XTAL}	Input frequency for xtal amplifier ⁽¹⁾	10	—	55	MHz
R _{DIV}	Reference divider range	1	—	63	—
N _{DIV}	Loop divider range	56	—	2047	—
F _{LO}	LO operating frequency	—	3142.656	—	MHz

1. That amplifier can be used also like TCXO input buffer

4.8.2 Oscillator electrical specifications

This device contains two oscillators:

- a 32.768 kHz oscillator/buffer for RTC circuit.
- an OSCI oscillator/buffer in the RF Front-End

When used in oscillator mode, each oscillator requires a specific crystal, with parameters that must be as close as possible to the following recommended values. When used in input buffer mode, an external clock source must be applied.

32.768 kHz OSCI32 oscillator specifications

The 32.768 kHz OSCI32 oscillator is connected between RTC_XTI (oscillator amplifier input) and RTC_XTO (oscillator amplifier output). It also requires two external capacitors of 18 pF^(a), as shown on [Figure 2](#).

OSCI32 is disabled by default and must be enabled by setting bit28-OSCI_EN of PRCC_BACKUP_REG0 to have 32.768KHz oscillation when an XTAL pi-network is connected to RTC_XTI/RTC_XTO pins.

The recommended oscillator specifications are shown in [Table 26](#):

Table 26. Crystal recommended specifications

Symbol	Parameter	Min.	Typ.	Max.	Unit
F _{SXTAL}	Crystal frequency ⁽¹⁾	—	32.768	—	kHz
LM _{SXTAL}	Motion inductance ⁽¹⁾	—	5	—	kH
CM _{SXTAL}	Motional capacitance ⁽¹⁾	—	5.0	—	fF
CO _{SXTAL}	Shunt capacitance ⁽¹⁾	—	1.3	—	pF
ESR	Resonance resistance ⁽¹⁾	—	—	80	kΩ
CL	External load capacitance ⁽¹⁾	—	18	—	pF

1. Not tested in production.

The oscillator amplifier specifications are shown in following table:

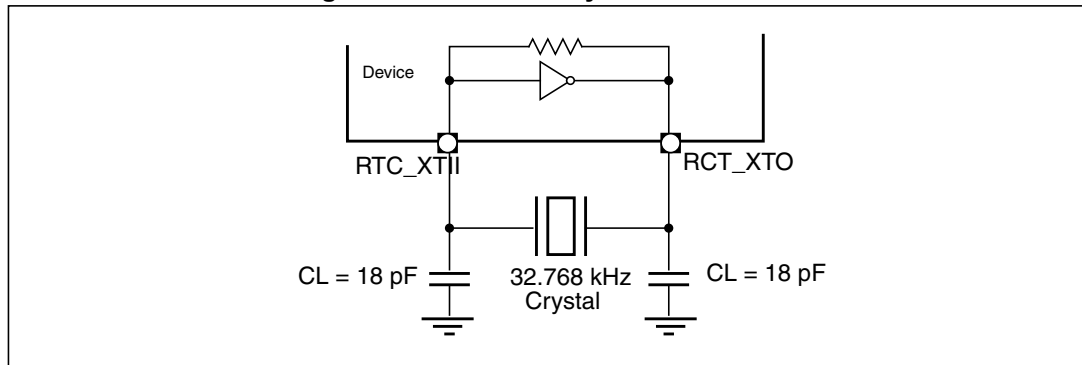
Table 27. Oscillator amplifier specifications

Symbol	Parameter	Min.	Typ.	Max.	Unit
T _S	Startup time ⁽¹⁾	—	0.3	0.6	s
DL	Drive level ⁽¹⁾	—	—	<0.1	μW
RLC	Required load capacitance ⁽¹⁾	—	12.5	—	pF
GM	Startup transconductance	22.5	33.6	—	μA/V

1. Not tested in production.

a. Using crystal with recommended characteristics as per [Table 26](#).

Figure 2. 32.768 kHz crystal connection



To drive the 32.768 kHz crystal pins from an external clock source:

- Disable the oscillator (bit28-OSCI_EN = 0b in PRCC_BACKUP_REG0 register). This disables the internal inverter, thus reducing the power consumption to minimum.
- Drive the RTC_XTI pin with a square signal or a sine wave.

Table 28. Characteristics of external slow clock input

Symbol	Parameter	Min.	Typ.	Max.	Unit
T _{JIT} (cc)	Cycle-to-cycle jitter	-70	—	70	ps
T _{JIT} (per)	Period jitter	-70	—	70	ps
	Variation	-500	—	500	ppm
T _{DUTY}	Duty cycle	45	—	55	%

4.8.3 OSCI oscillator specifications

The supported values of the embedded BOOT ROM are 16.368 MHz, 24.00 MHz, 26.00 MHz and 48.00 MHz.

The default values supported by the GNSS binary image are 26 MHz and 48 MHz, to enable USB peripheral the 48 MHz is mandatory.

4.8.4 ADC specifications

This section gives the AC specification of the 10 bit Successive Approximation Register ADC embedded in STA8090EXGA device. It is controlled by the ARM9 MCU through a wrapper and an APB bridge as depicted in Figure 3 and it has a maximum conversion rate of 1MSPS with 8 muxed analog input channels capability. An internal voltage reference is used and analog/digital power supplies connections are implemented inside the device without any needs of dedicated external pins.

Figure 3. SARADC connections

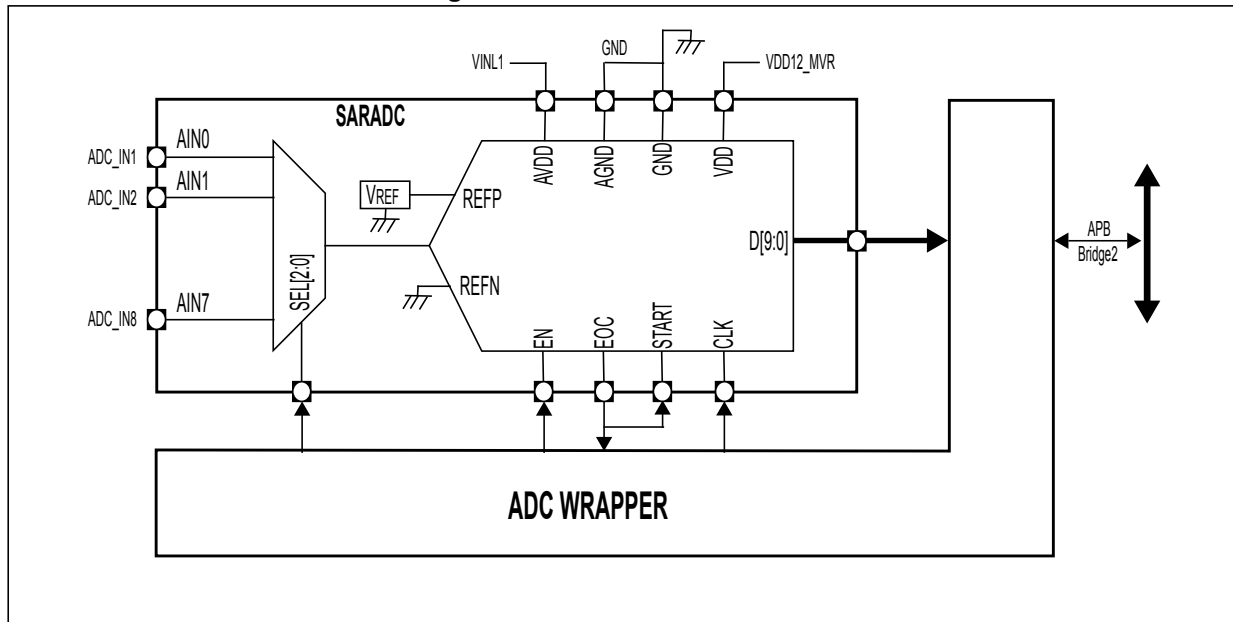


Table 29. SARADC specifications

Symbol	Parameter	Min.	Typ.	Max.	Unit
V_{ADCIN}	ADC_IN input range	$V_{GND}-0.3$	—	$V_{DD_ADC}+0.3$	V
V_{ADCCR}	Conversion range	V_{GND}	—	V_{REF}	V
V_{REF}	Voltage reference	1.35	1.4	1.45	V
C_{IN}	Input capacitance ⁽¹⁾	5.5	7.0	8.5	pF
R_{IN}	Input mux resistance (total equivalent sampling resistance) ⁽²⁾	1.5	2.0	2.5	k Ω
F_{CLK}	Clock frequency	2.5		15	MHz
δ_{CLK}	Clock duty cycle	45	50	55	%
T_{SUP}	Start up time ⁽¹⁾⁽³⁾	—	—	20	μ s
T_C	Conversion time	—	14	—	cycles
T_S	Sampling time	—	3		cycles
INL	Performance	—	—	< ± 2	LSB
DNL		—	—	< ± 2	LSB

1. Not tested in production.
2. Pad input capacitance included.
3. From EN = 1.

5 Package and packing information

5.1 ECOPACK[®] packages

In order to meet environmental requirements, ST offers these devices in different grades of ECOPACK[®] packages, depending on their level of environmental compliance. ECOPACK[®] specifications, grade definitions and product status are available at: www.st.com.

ECOPACK[®] is an ST trademark.

5.2 TFBGA169 9 x 9 x 1.2 mm package information

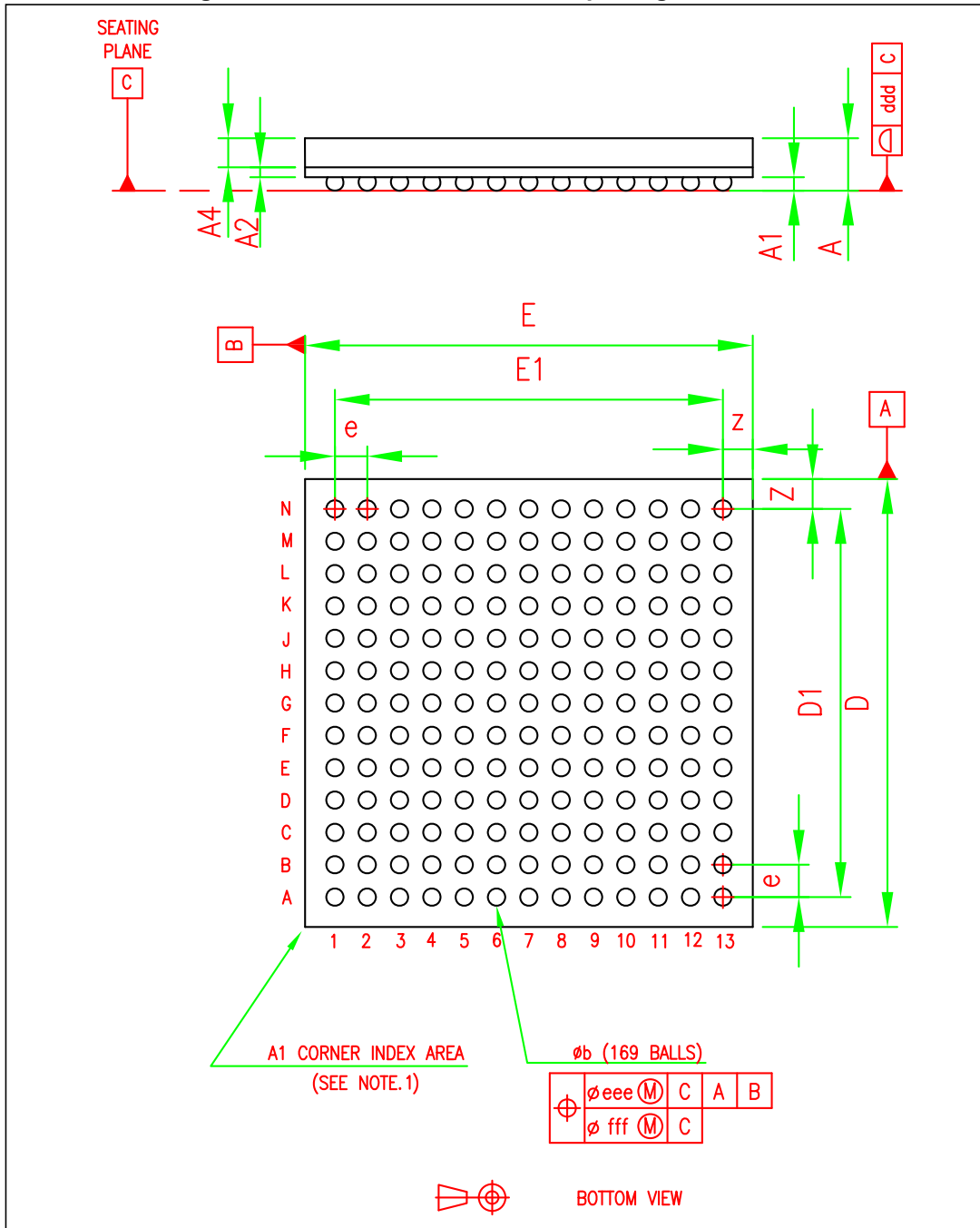
Table 30. TFBGA169 9 x 9 x 1.2 mm mechanical data

Ref. dim	Dimensions (mm)		
	Min.	Typ.	Max.
A ⁽¹⁾			1.20
A1 ⁽²⁾	0.21		
A2		0.20	
A4		0.585	
b ⁽³⁾	0.30	0.35	0.40
D	8.85	9.00	9.15
D1		7.80	
E	9.85	9.00	9.15
E1		7.80	
e		0.65	
Z		0.60	
ddd			0.08
eee ⁽⁴⁾			0.15
fff ⁽⁵⁾			0.05

- TFBGA stands for Thin profile Fine Pitch Ball Grid Array.
 - The total profile height (Dim A) is measured from the seating plane to the top of the component
 - The maximum total package height is calculated by the following methodology:
 $A \text{ Max} = A1 \text{ Typ} + A2 \text{ Typ} + A4 \text{ Typ} + \sqrt{A1^2 + A2^2 + A4^2}$ tolerance values
 - Thin profile: 1.00 mm < A ≤ 1.20 mm / Fine pitch: e < 1.00 mm pitch.
- The terminal A1 corner must be identified on the top surface by using a corner chamfer, ink or metallized markings, or other feature of package body or integral heatslug.
 - A distinguishing feature is allowable on the bottom surface of the package to identify the terminal A1 corner. Exact shape of each corner is optional.
- The typical ball diameter before mounting is 0.35 mm.
- The tolerance of position that controls the location of the pattern of balls with respect to datums A and B. For each ball there is a cylindrical tolerance zone eee perpendicular to datum C and located on true position with respect to datums A and B as defined by e. The axis perpendicular to datum C of each ball must lie within this tolerance zone.

- The tolerance of position that controls the location of the balls within the matrix with respect to each other. For each ball there is a cylindrical tolerance zone fff perpendicular to datum C and located on true position as defined by e . The axis perpendicular to datum C of each ball must lie within this tolerance zone. Each tolerance zone fff in the array is contained entirely in the respective zone eee above. The axis of each ball must lie simultaneously in both tolerance zones.

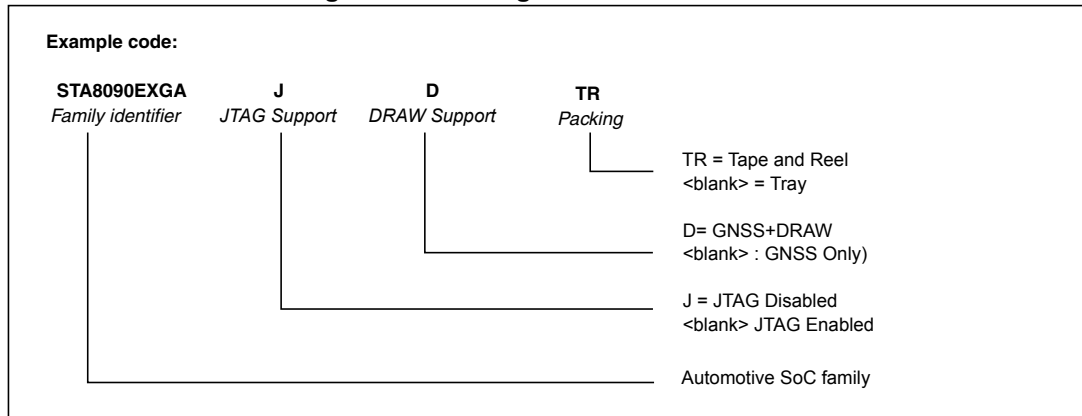
Figure 4. TFBGA169 9 x 9 x 1.2 mm package dimension



- The terminal A1 corner must be identified on the top surface by using a corner chamfer, ink or metallized markings, or other feature of package body or integral heatslug.
 - A distinguishing feature is allowable on the bottom surface of the package to identify the terminal A1 corner. Exact shape of each corner is optional.

6 Ordering information

Figure 5. Ordering information scheme



7 Revision history

Table 31. Document revision history

Date	Revision	Changes
07-Jul-2016	1	Initial release.
11-May-2017	2	Updated: <ul style="list-style-type: none">– Table 15 on page 29: removed the I_{DSLEEP} parameter and added $I_{DStandby}$ and $I_{DDeepStandby}$ parameters;– Table 23 on page 32: the Typ. value of the C_G and IP_{1dB} parameters, and add note (1) to the Typ. value of ATT parameter;– Table 24 on page 33: the Typ. values of the S11 and IRR parameters and add note (1) to the Typ. value of ATT parameter;– Table 25 on page 33: the Max. value of the F_{TCXO_XTAL} parameter.

IMPORTANT NOTICE – PLEASE READ CAREFULLY

STMicroelectronics NV and its subsidiaries (“ST”) reserve the right to make changes, corrections, enhancements, modifications, and improvements to ST products and/or to this document at any time without notice. Purchasers should obtain the latest relevant information on ST products before placing orders. ST products are sold pursuant to ST’s terms and conditions of sale in place at the time of order acknowledgement.

Purchasers are solely responsible for the choice, selection, and use of ST products and ST assumes no liability for application assistance or the design of Purchasers’ products.

No license, express or implied, to any intellectual property right is granted by ST herein.

Resale of ST products with provisions different from the information set forth herein shall void any warranty granted by ST for such product.

ST and the ST logo are trademarks of ST. All other product or service names are the property of their respective owners.

Information in this document supersedes and replaces information previously supplied in any prior versions of this document.

© 2017 STMicroelectronics – All rights reserved