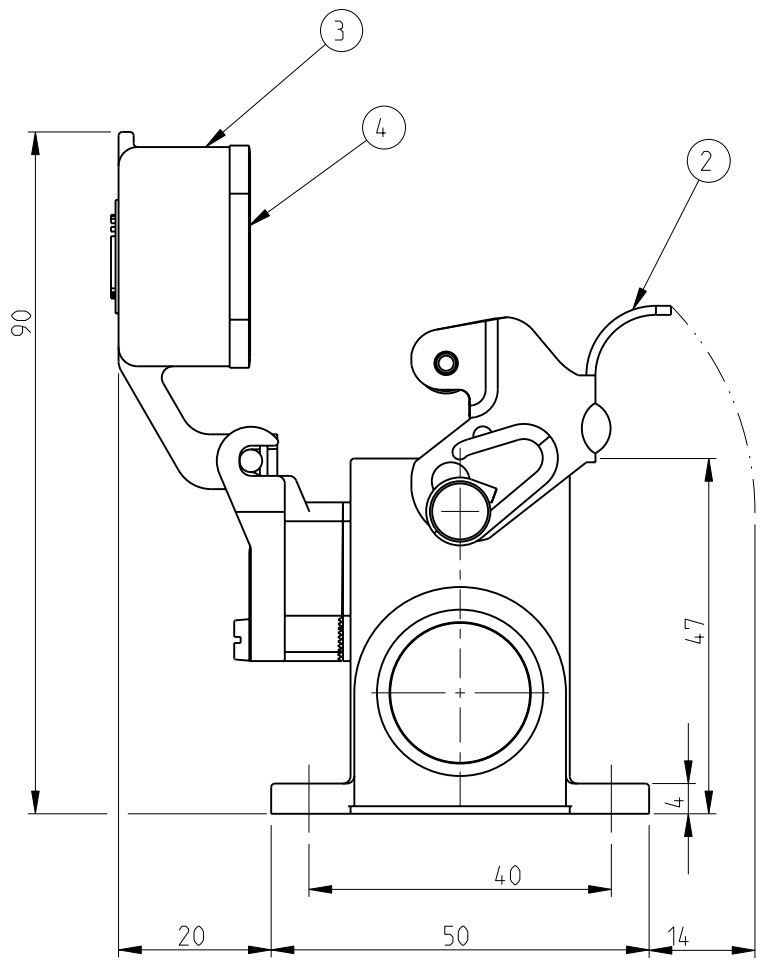
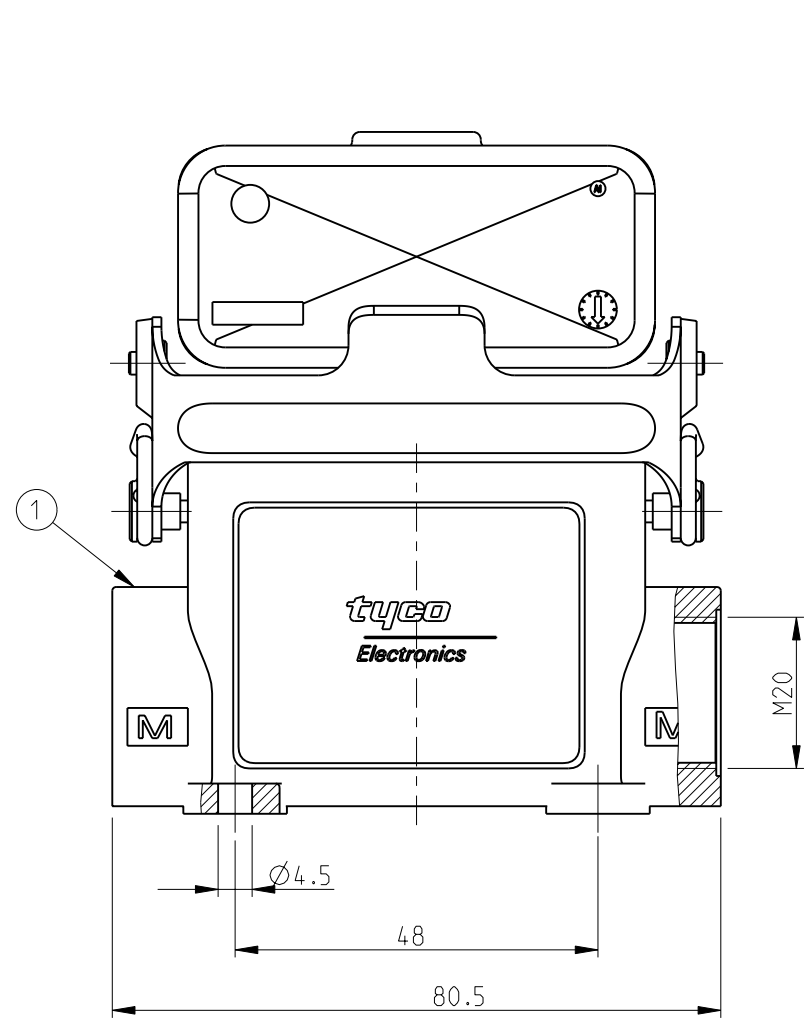
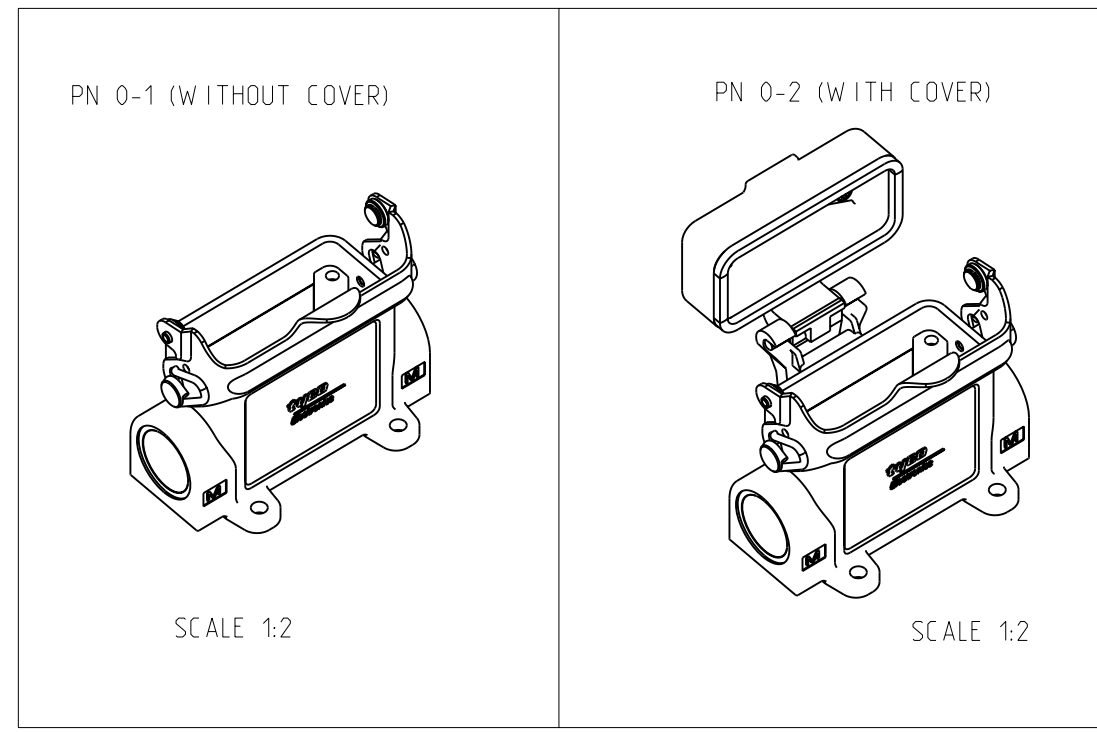


THIS DRAWING IS UNPUBLISHED. RELEASED FOR PUBLICATION 2000
 © COPYRIGHT 2000 BY TYCO ELECTRONICS CORPORATION. ALL RIGHTS RESERVED.

LOC	DIST	REVISIONS				
P	LTR	DESCRIPTION	DATE	DWN	APVD	
A1	-	B3	ECR-09-015227	17.JUL.2009	AR	ST



- NOTES:
- 1 MATERIAL: SEE TABLE
 - 2 SURFACE: SEE TABLE
 - 3 VARNISH ON THE INSIDE NOT NECESSARY
 - 4 PACKAGING QUANTITY: 5 PIECES PER BOX



PN 0-2 AS SHOWN

QTY	DESCRIPTION	MATERIAL	SURFACE/COLOR	ITEM NO.	REMARKS
1	PROFILE SEAL	NEOPRENE	BLACK	4	
1	COVER	ALUMINIUM	GREY	3	
1	CLIP	STEEL	ZINC PLATED	2	
1	SURFACE MOUNTED HOUSING	ALUMINIUM	GREY	1	
0-2	0-1				

ORDERING TEXT
 HA10.SG-LB.1.M20.Z
 HA10.SGD-LB.1.M20.Z

DIMENSIONS: mm 		TOLERANCES UNLESS OTHERWISE SPECIFIED: n.ISO 8015: n.ISO 2768-mH-E: n.DIN 16901-120 0 PLC ± 1 PLC ± 2 PLC ± 3 PLC ± 4 PLC ± ANGLES ±		DWN R.SRINIVAS 3/3/2006 CHK R.SRINIVAS 3/3/2006 APVD T.SCHNURPFIL 3/3/2006 PRODUCT SPEC - APPLICATION SPEC - WEIGHT -		Tyco Electronics AMP GmbH 53757 Sankt Augustin, Germany NAME SURFACE MOUNTED HOUSING SERIES HA10, SIDE ENTRY, METRIC	
MATERIAL 1 FINISH 2		CUSTOMER DRAWING		SIZE A3 CAGE CODE 00779 DRAWING NO. C-1103057		RESTRICTED TO - SCALE 1:1 SHEET 1 OF 1 REV B3	