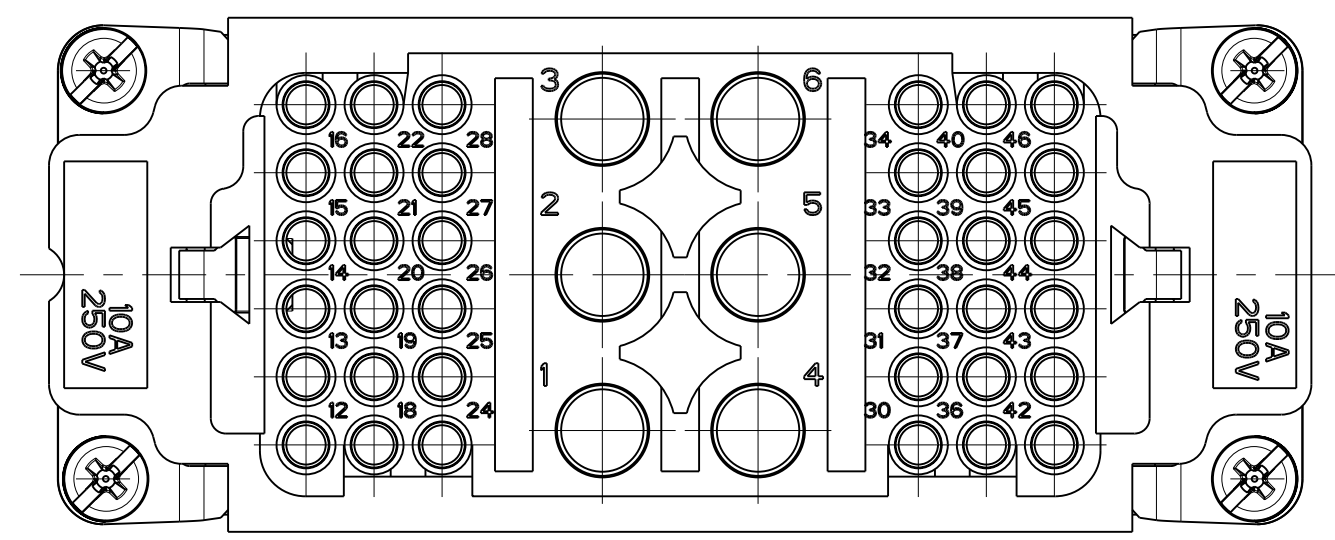


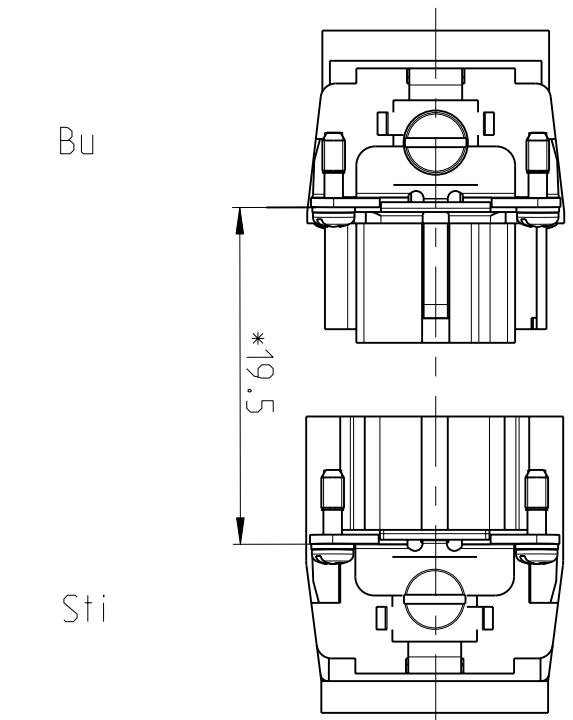
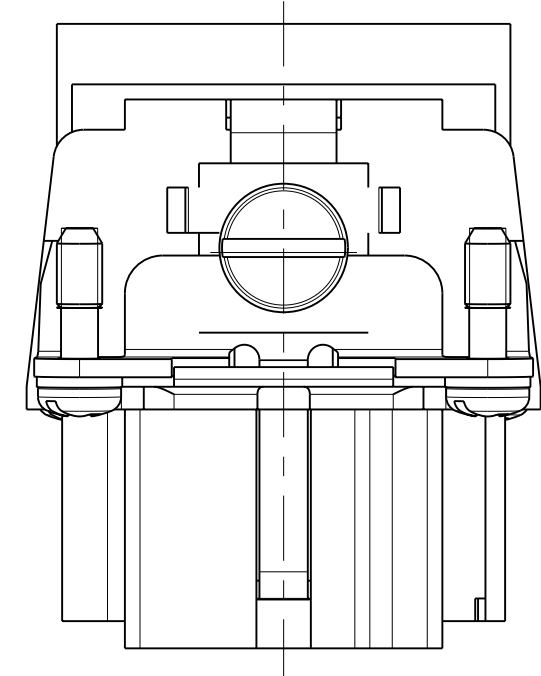
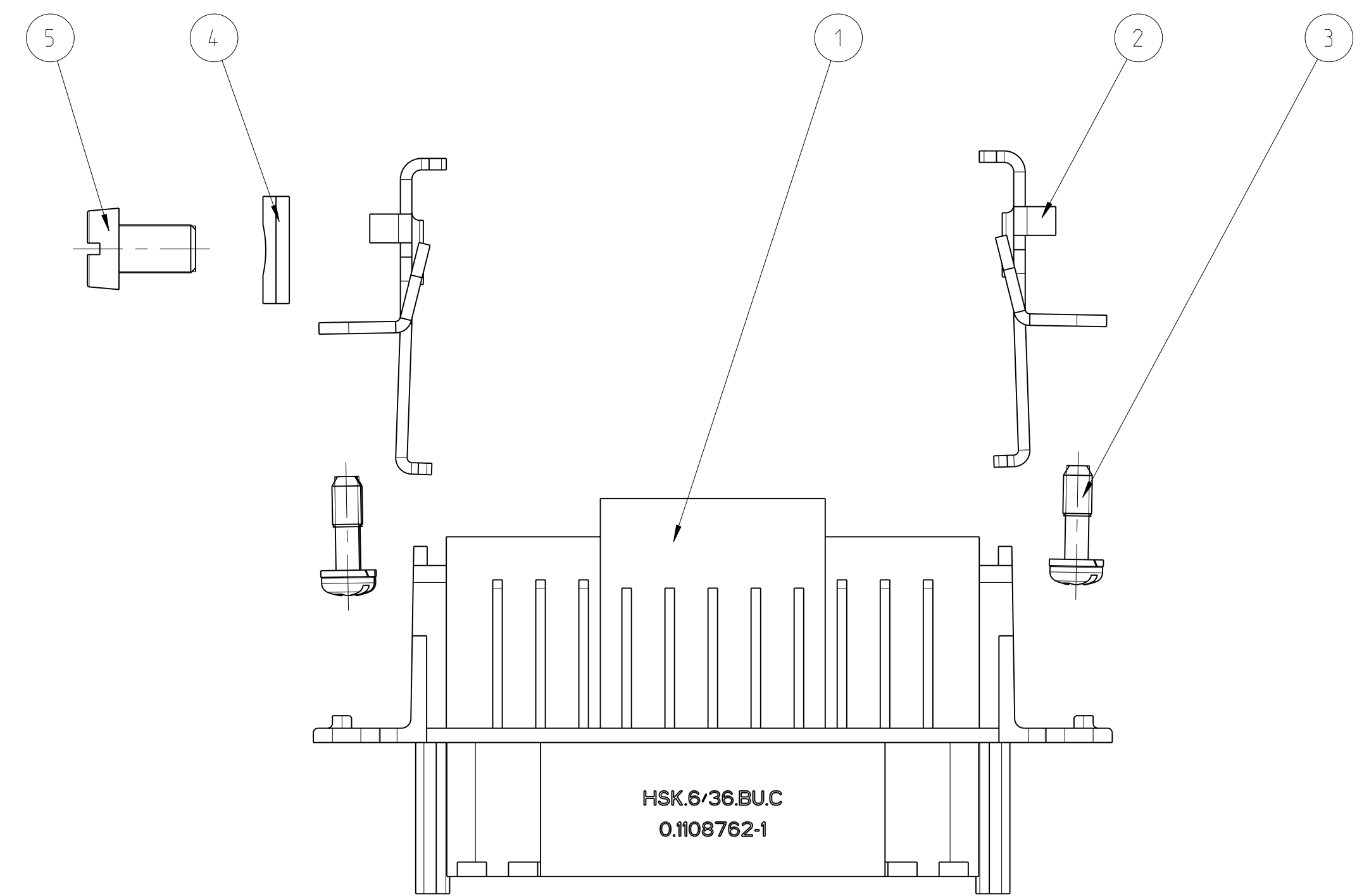
LOC		DIST		REVISIONS			
A	I	P	LTR	DESCRIPTION	DATE	DWN	APVD
		B1		ECR-09-026756	09FEB2010	SR	ME

PANEL CUT-OUT FOR CONTACT INSERT
 WHEN USED WITHOUT HOUSING



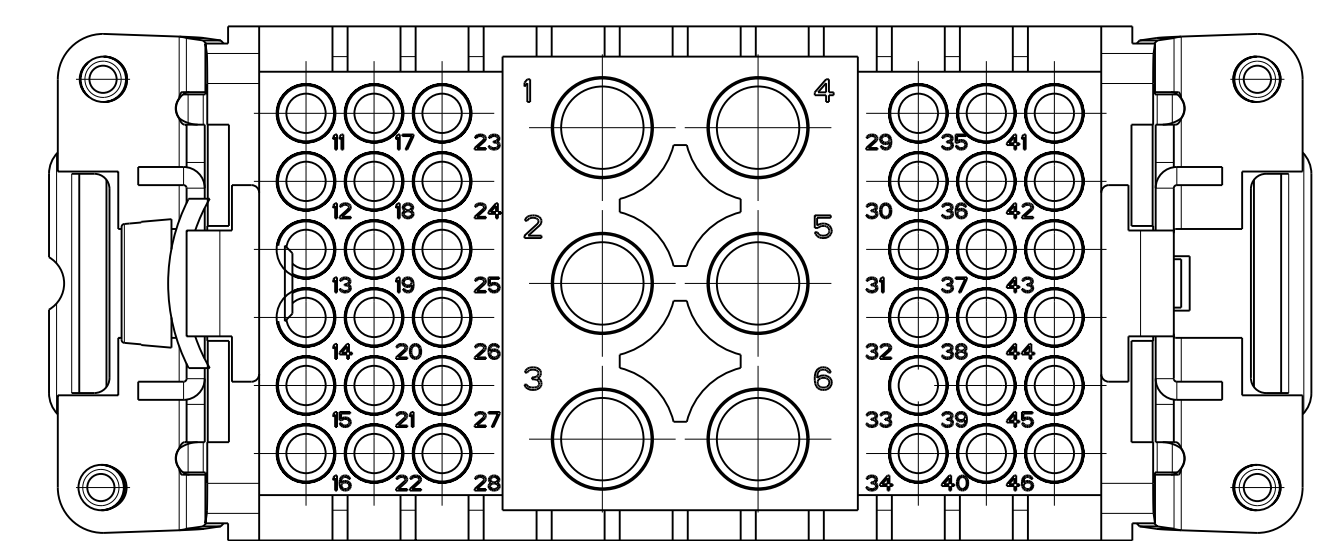
NOTES

- POVER CONTACT : 1 TO 12
 OUTER DIMENSIONS OF INSULATION: MAX. $\varnothing 6.5\text{mm}$
 SIGNAL CONTACT: A AND B
 OUTER DIMENSIONS OF INSULATION: MAX. $\varnothing 3.2\text{mm}$
- SUITABLE HOOD SIZE 6
 SERIES HB, HD, EMV, AND HIP
- ⚠ GROUNDING CONTACT
- STANDARDS:
 DIN EN 61984; DIN EN 60664-1
- PACKAGING:
 5 PIECES IN A CARTON BOX



*DISTANCE ARRANGEMENT
 VIEW FROM TERMINATION SIDE

CONTACT ARRANGEMENT VIEW FROM
 TERMINATION SIDE



QTY	DESCRIPTION	MATERIAL	SURFACE	ITEM
1	CYLINDER SCREW, M5	STEEL	NICKEL PLATED	5
1	CLIP TAB	STEEL	NICKEL PLATED	4
4	FIXING SCREW ASSY	STEEL	NICKEL PLATED	3
2	GRUNDING CONTACT-SOCKET	Cu Zn37 F38	NICKEL PLATED	2
1	SOCKET INSERT	VALOX		1
0-1				

THIS DRAWING IS A CONTROLLED DOCUMENT. DWN: R.SCHNEIDER 09FEB2010
 CHG: T.SCHNURPEL 09FEB2010

TE Connectivity

NAME: HSK.6/36 FEMALE INSERT HSK.6/36
 ASSY HSK.6/36

SIZE: A1 CAGE CODE: 00779 DRAWING NO: C=1108762

SCALE: 2:1 SHEET: 1 OF 1 REV: B1