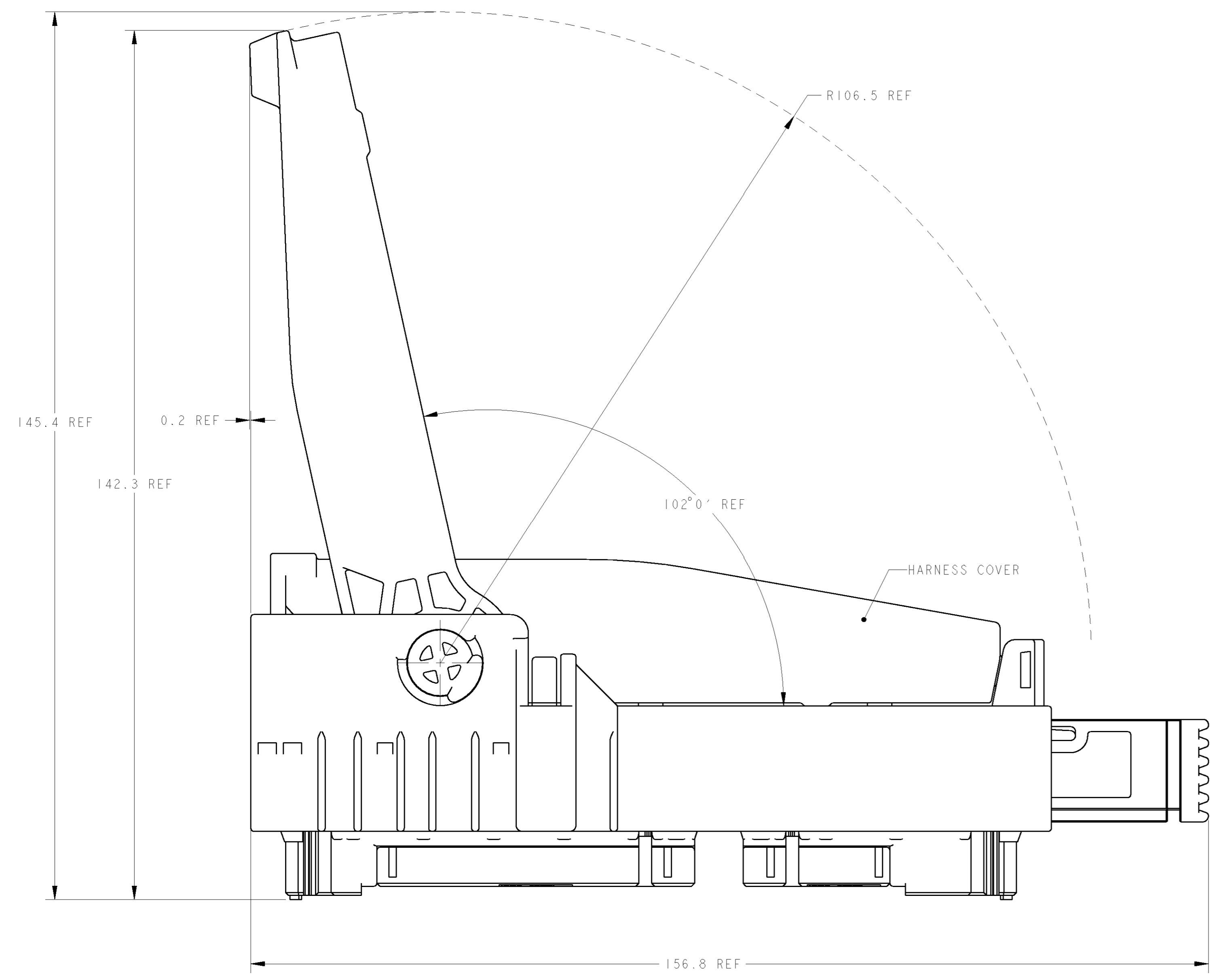
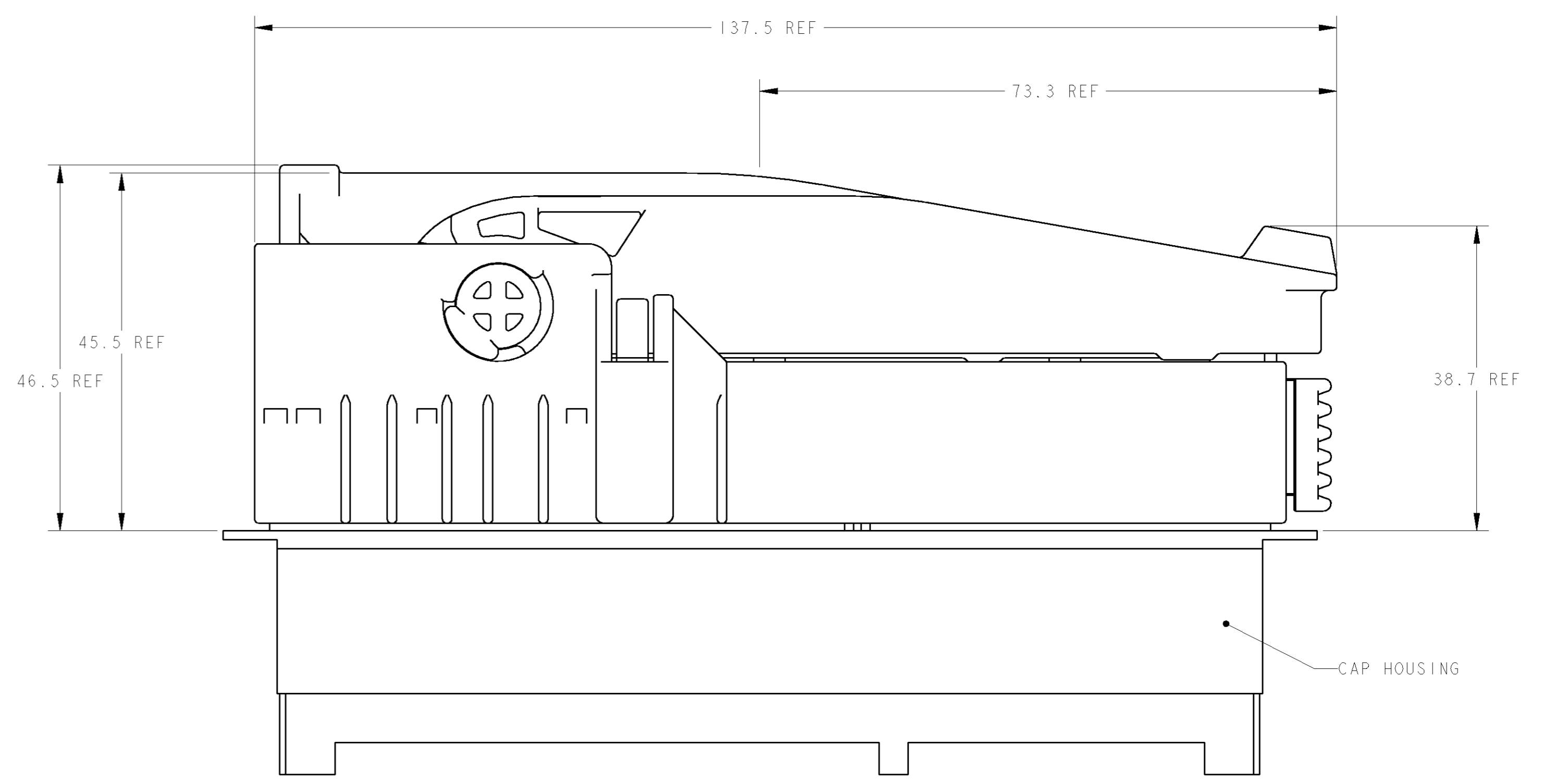
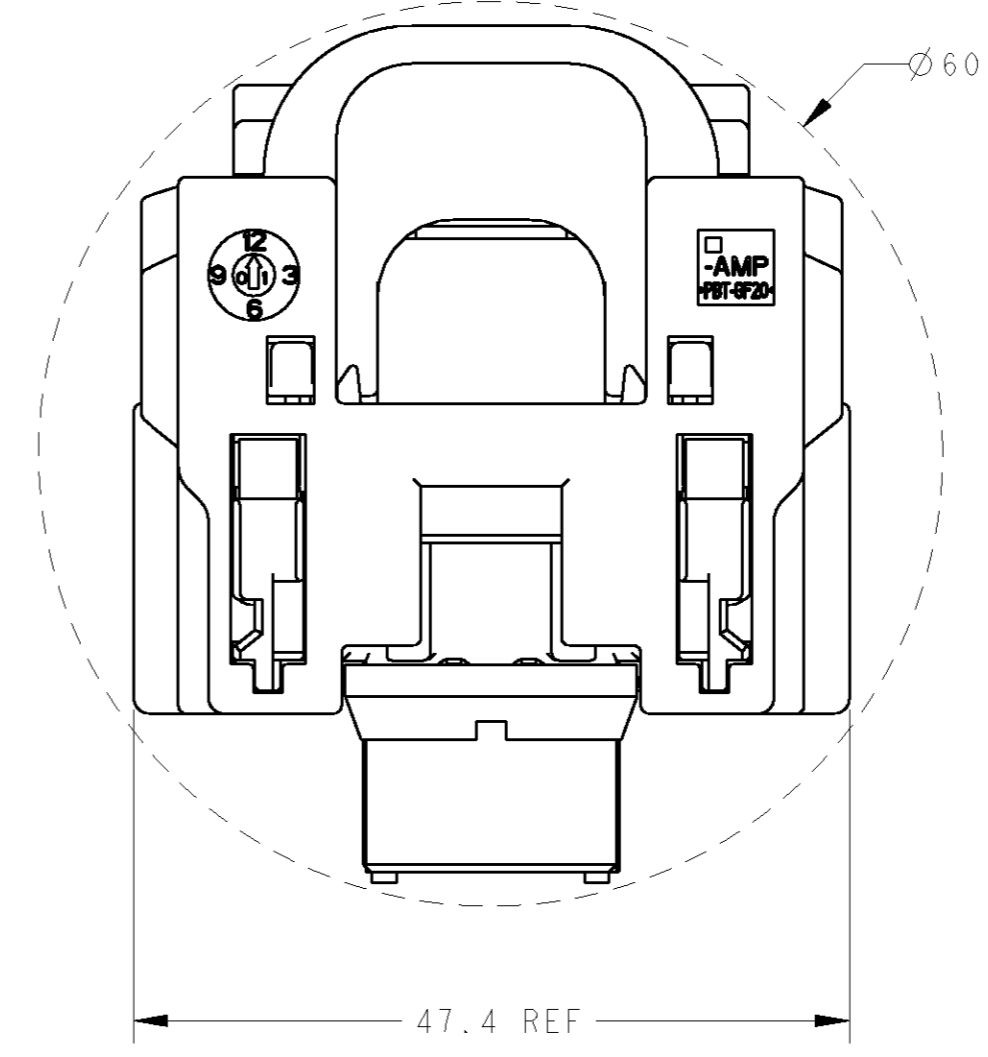




REV. LIST		REVISIONS			
NO.	DATE	DESCRIPTION	ECN	DATE	BY
1	-	SEE SHEET 1	-	-	-



BEFORE MATING



AFTER MATING

- THIS DRAWING SHOWS ASSEMBLY CONDITION OF 1565416-1 AND 1565422-1(HARNESS COVER) AND IT IS DIFFER FROM SHIPPING CONDITION.
- 本図は、1565416-1に1565422-1(ハーネスカバー)をアッセンブルしたものであり、出荷形態とは異なる。

<small>THIS DRAWING IS UNPUBLISHED. RELEASED FOR PUBLICATION. THIS IS SUBJECT TO CHANGE FOR CORRECTION AND EXTENDING OR SHORTENING PERIODS OF CONTRACTS FOR THE LATEST PORTION.</small>		DWN: T. KAWAHARA CHK: T. KOHNO APVD: M. SAI	DTAPR02 DTAPR02 DTAPR02	<b>tyco</b> <b>Electronics</b>	Tyco Electronics AMP K.K. Kawasaki, Japan
DIMENSIONS: mm	TOLERANCES UNLESS OTHERWISE SPECIFIED: mm: ±0.3 1-PLC: ±0.5 2-PLC: ±0.13 3-PLC: ±0.013 4-PLC: ±0.001 ANGLES: ±0°00'	PRODUCT SPEC: 108-5799 APPLICATION SPEC: 114-1802J, 114-1805D-1 WEIGHT: 117.4 g	SIZE: A CAGE CODE: 00779 DRAWING NO: C=1565416	PLUG ASSY 121POS MOS CLEAN BODY/JPT	
MATERIAL: SEE SHEET 1 FINISH: SEE SHEET 1		CUSTOMER DRAWING		SCALE: 2:1	SHEET: 2 OF 2 REV: A