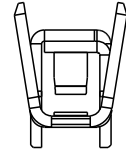
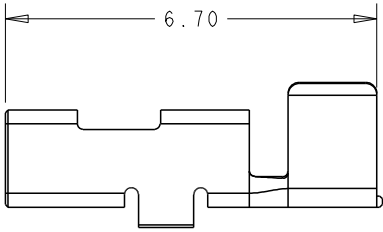
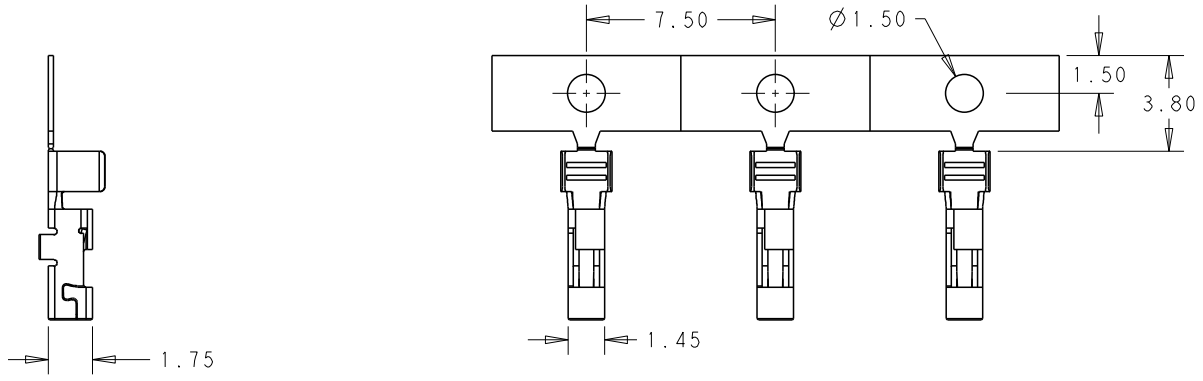


4 | 3 | 2 | 1

THIS DRAWING IS UNPUBLISHED. | RELEASED FOR PUBLICATION | 20


© COPYRIGHT 20 BY - | ALL RIGHTS RESERVED.

REVISIONS				
P	LTR	DESCRIPTION	DATE	APVD
	A	INITIAL RELEASED	1JUN2015	W.N X.X



- NOTES
- 1 MATERIAL: PHOSPHOR BRONZE, THICKNESS: 0.20±0.01mm
 - 2 FINSH: NICKEL PLATED ALL OVER
GOLD PLATED AT CONTACT AREA
 - 3 WIRE SIZE: 22AWG~18AWG (0.32mm²~0.75mm²)

1 2	2271279-2
MATERIAL/FINISH	P/N

THIS DRAWING IS A CONTROLLED DOCUMENT.		DWN	09-Jun-15		 TE Connectivity	
		CHK	09-Jun-15			
		APVD	09-Jun-15			
		NAME	Xiang Xu			
DIMENSIONS:		PRODUCT SPEC	REC. TERMINAL			
mm		108-137039	FOR MICRO MOTOR POWER CONNECTOR			
TOLERANCES UNLESS OTHERWISE SPECIFIED:		APPLICATION SPEC	SIZE	CAGE CODE	DRAWING NO	RESTRICTED TO
0 PLC	±-	114-137039	A3	-	©=2271279	-
1 PLC	±-	WEIGHT	-			
2 PLC	±0.20	Customer Drawing	SCALE	SHEET	OF	REV
3 PLC	±-		10:1	1	1	A
4 PLC	±-					
ANGLES	±-					
MATERIAL	FINISH					
-	-					
-	-					