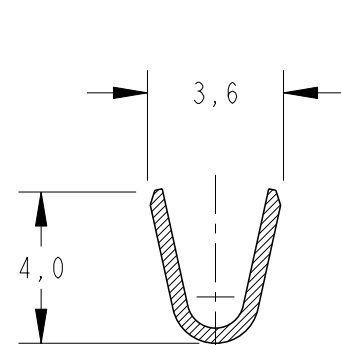
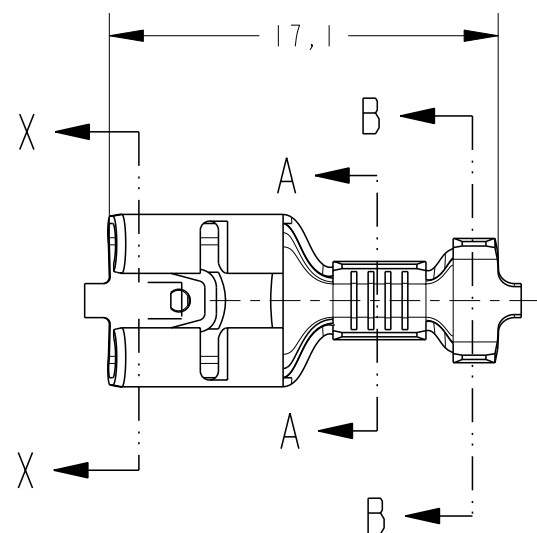


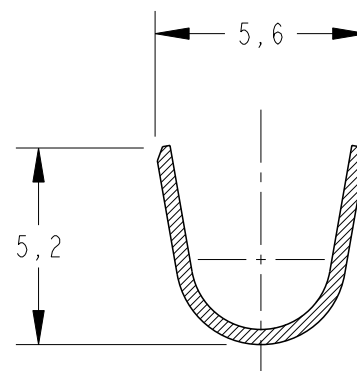
LOC AP DIST -

REVISIONS

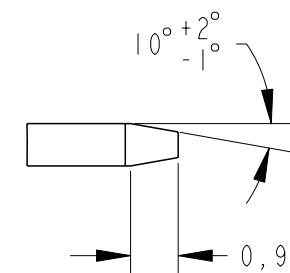
P	LTR	DESCRIPTION	DATE	DWN	APVD
	DI	REDRAW BY CAD ECO-12-014149	23AUG2012	NCL	DAO



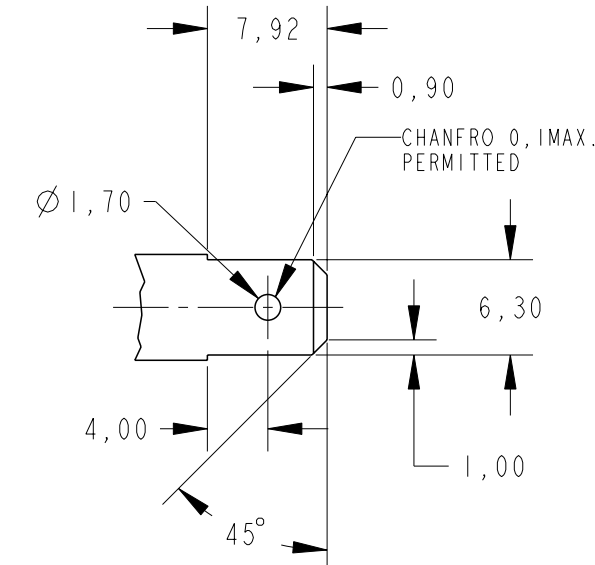
SECTION A-A SCALE 5:1



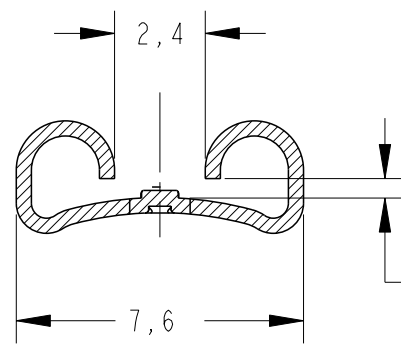
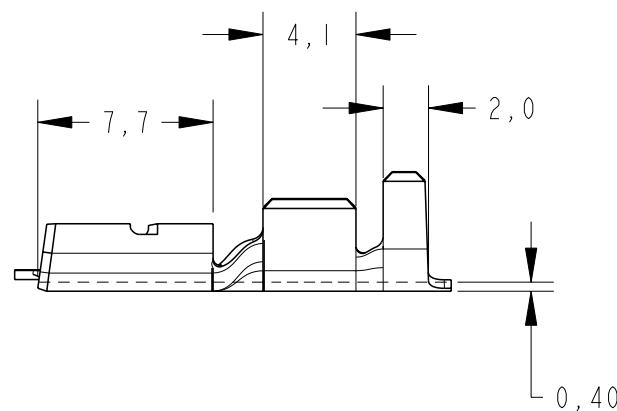
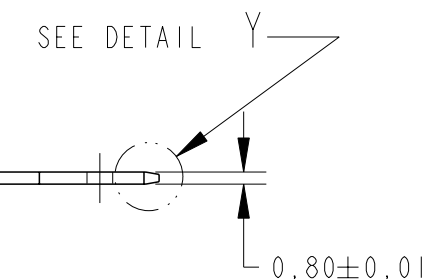
SECTION B-B SCALE 5:1



DETAIL Y SCALE 7:1



TEST TAB BR-6-058-1 MATERIAL: AÇO RÁPIDO



SECTION X-X SCALE 5:1

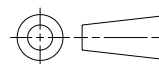
PARA LINGUETA DE 0,8mm ESPESSURA FOR 0,8mm TAB THK

108-37034	ESTANHADO / TIN PLATED	LATÃO / BRASS	444335 -4
108-37034	—	LATÃO / BRASS	444335 -3
108-37034	ESTANHADO / TIN PLATED	LATÃO / BRASS	444335 -2
108-37034	—	LATÃO / BRASS	444335 -1
SPEC. PN	FINISH	MATERIAL	PART NUMBER

INS. RANGE	WIRE RANGE
∅ 3,0-4,3mm	1,0-2,5mm ²

THIS DRAWING IS A CONTROLLED DOCUMENT.

DIMENSIONS: mm



TOLERANCES UNLESS OTHERWISE SPECIFIED:

0 PLC	±-
1 PLC	±0,3
2 PLC	±-
3 PLC	±-
4 PLC	±-
ANGLES	±1°

MATERIAL - FINISH -

DWN NCLAPRESA 12JUL2012
 CHK JRGOLDSCHMIDT 12JUL2012
 APVD DAOLIVEIRA 12JUL2012



NAME -

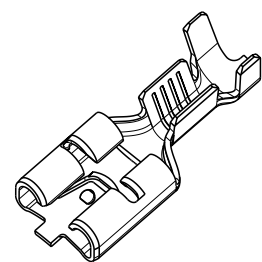
TERMINAL FASTON 6,5 RECEPT

APPLICATION SPEC -

WEIGHT -

SIZE	CAGE CODE	DRAWING NO	RESTRICTED TO
A3	00779	444335	-

CUSTOMER DRAWING	SCALE	SHEET	OF	REV
	3:1	1	1	DI



PERSPECTIVE VIEW SCALE 2:1

PART NUMBER	1° INSERÇÃO MÁX. (N)	1° EXTRAÇÃO MIN. (N)	10° EXTRAÇÃO MIN. (N)
444335 -1	40	50	20
444335 -2	40	50	20
444335 -3	40	70	20
444335 -4	40	70	20