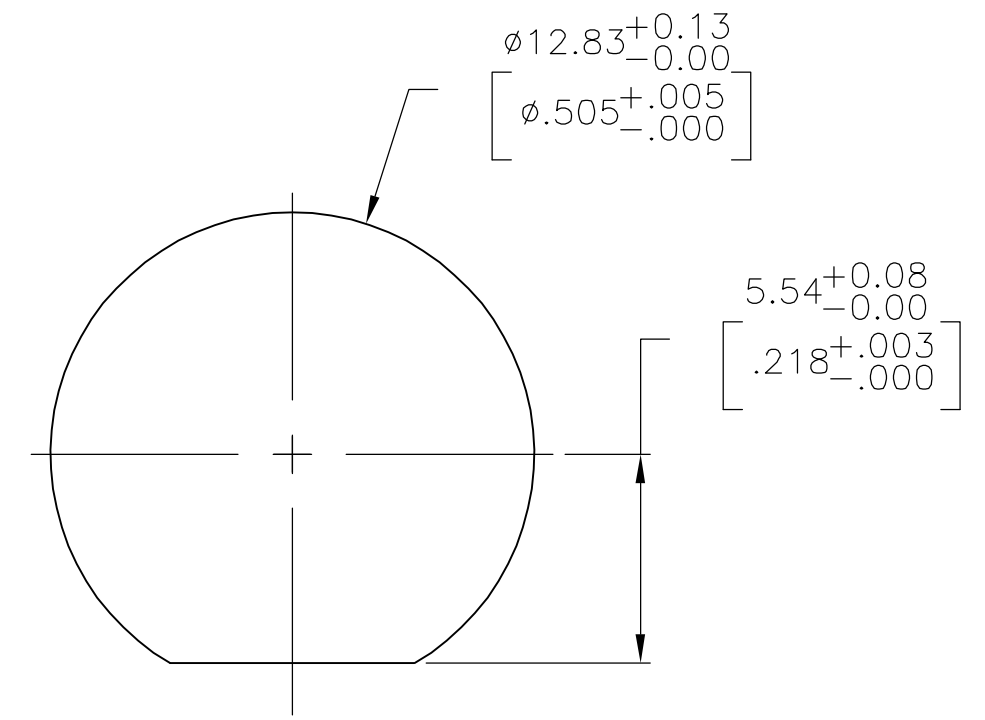
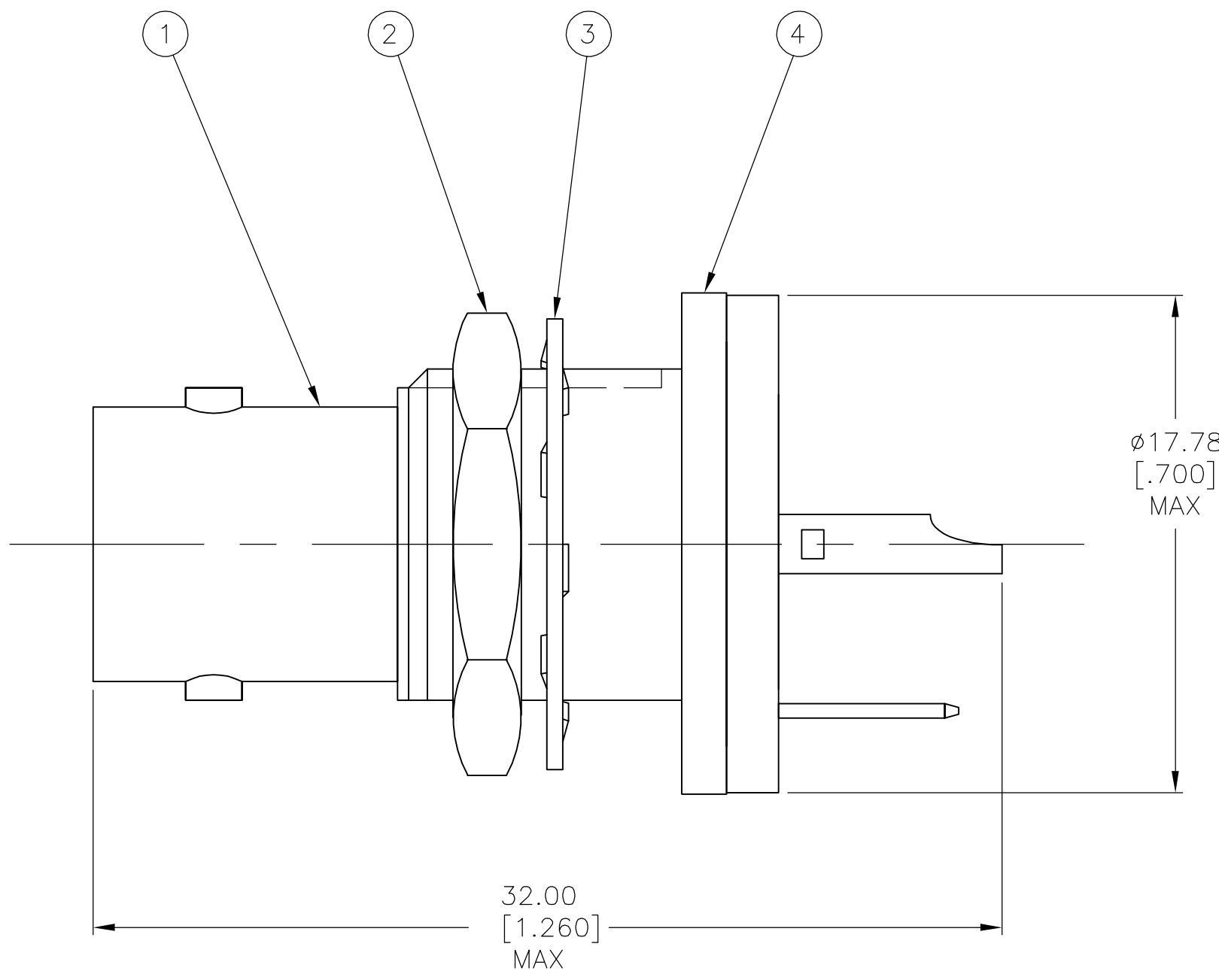


THIS DRAWING IS UNPUBLISHED. RELEASED FOR PUBLICATION
 © COPYRIGHT BY TYCO ELECTRONICS CORPORATION. ALL RIGHTS RESERVED.

LOC	DIST	REVISIONS			
P	LTR	DESCRIPTION	DATE	DWN	APVD
	A	REVISED PER OS14-0150-05.	28OCT2005	REH	JL

1. PANEL THICKNESS: 6.35 [.250] MAX.



RECOMMENDED
PANEL CUTOUT

QTY	DESCRIPTION	PART NUMBER	ITEM
1	GASKET	227431-1	4
1	LOCKWASHER	1-329632-2	3
1	JAM NUT	1-329631-2	2
1	SOLDER RECPT.	227427-1	1
-1	DESCRIPTION	PART NUMBER	ITEM

THIS DRAWING IS A CONTROLLED DOCUMENT.		DWN J. HAVENER 120CT2005	Tyco Electronics Corporation Harrisburg, PA 17105-3608			
DIMENSIONS: mm [INCHES]		CHK J. HAVENER 120CT2005				
TOLERANCES UNLESS OTHERWISE SPECIFIED:		APVD J. LIPPERT 120CT2005	NAME SOLDER RECEPTACLE, SEALED, JACK, SERIES BNC			
0 PLC ± - 1 PLC ± - 2 PLC ± - 3 PLC ± - 4 PLC ± - ANGLES ± -		PRODUCT SPEC -				
MATERIAL		APPLICATION SPEC -	SIZE A3	CAGE CODE 00779	DRAWING NO C-5227426	RESTRICTED TO -
FINISH		WEIGHT -	SCALE 5:1		SHEET 1 OF 1	REV A