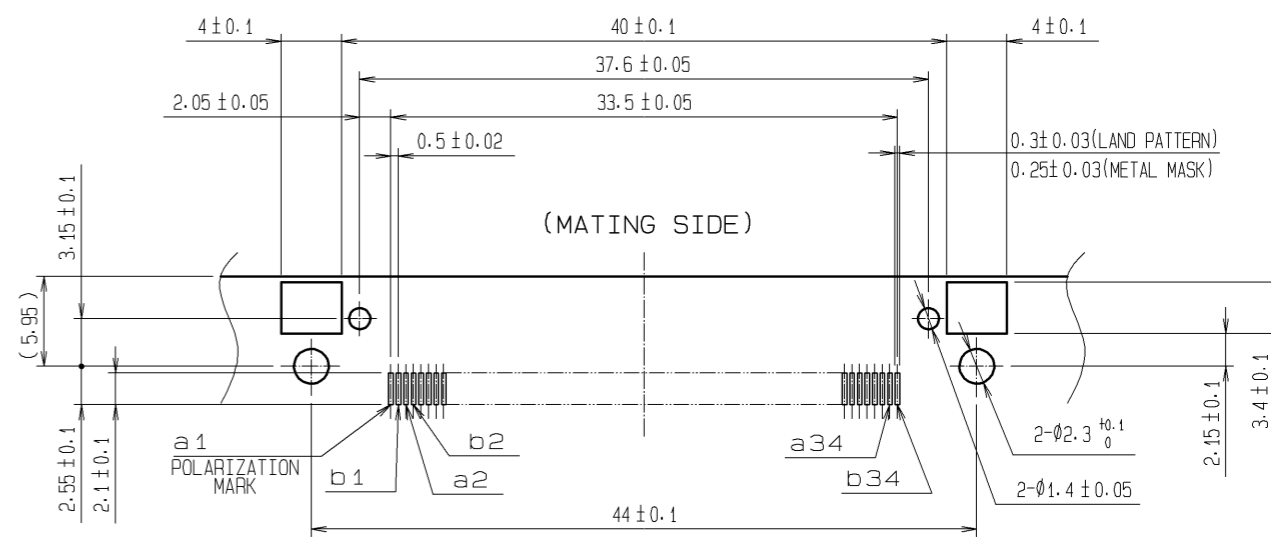
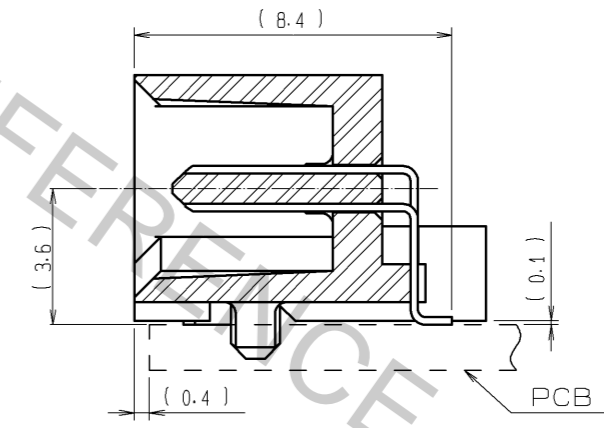


RECOMMENDED LAND PATTERN DIMENSION OF PCB(MOUNTING SIDE)
(RECOMMENDED METAL MASK THICKNESS:0.15mm)



A-A (5:1)



NOTES 1. LEAD CO-PLANARITY INCLUDING REINFORCED METAL FITTINGS TO BE 0.1 MAX.
2. NOTE THAT THE REFERENCE TIGHTENING TORQUE IS 0.15 N·m.
3. THE DIMENSIONS IN PARENTHESES ARE FOR REFERENCE.

4	BRASS	TIN-PLATING	2, 3	BRASS	CONTACT AREA:GOLD 0.1µm min.			
1	POLYAMIDE	BEIGE UL94V-0			LEAD AREA: TIN-PLATING 1µm min.			
					UNDER PLATING: NICKEL 1µm min.			
NO.	MATERIAL	FINISH . REMARKS	NO.	MATERIAL	FINISH . REMARKS			
UNITS	mm	SCALE	2 : 1	COUNT	DESCRIPTION OF REVISIONS	DESIGNED	CHECKED	DATE
APPROVED : HS. OKAWA		08.07.14		DRAWING NO.		EDC3-151383-21		
CHECKED : HT. YAMAGUCHI		08.07.14		PART NO.		FX5-68P-SH(71)		
DESIGNED : SY. KAMIGA		08.07.11		CODE NO.		CL575-0008-6-71		
DRAWN : HK. SUNADORI		08.06.19						