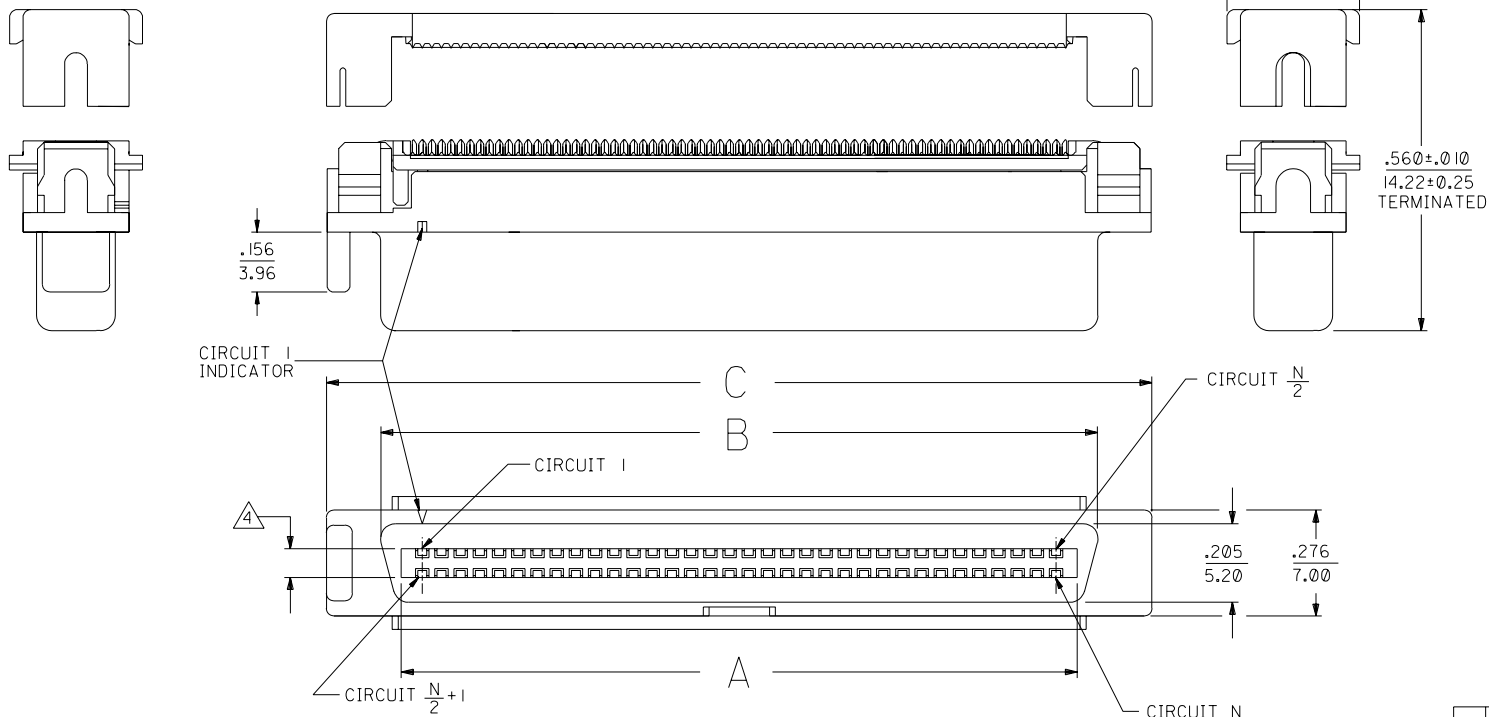


NOTES:

- 1) MATERIALS:
HOUSING- LCP, GLASS FILLED, 94V-0, BLACK.
ALIGNER, TERMINATION COVER- POLYESTER, GLASS FILLED, 94V-0, GREY.
TERMINALS- PHOSPHOR BRONZE ALLOY.
- 2) FINISH:
SELECTIVE GOLD IN CONTACT AREA
THICKNESS = 30 MICROINCHES / 0.763 MICROMETERS
SELECTIVE TIN IN IDT AREA
THICKNESS = 50 MICROINCHES / 1.27 MICROMETERS
NICKEL UNDERPLATE OVERALL.
- 3) PRODUCT SPECIFICATION: PS-71660.
- 4) ASSEMBLY MATES WITH MOLEX P/N 71661-****.
CONNECTOR WILL ACCEPT MATING TO A P.C. BOARD WITH
A THICKNESS OF .062±.003.
- 5) CONNECTOR WILL TERMINATE .025 ̢ FLAT RIBBON CABLES OF THE FOLLOWING CONSTRUCTION:
#30 AWG STRANDED OR SOLID, PVC INSULATION.
#30 AWG SOLID, FEP INSULATION.
- 6) PRODUCT IS SHIPPED AS A KIT. THE HOUSING/ALIGNER SUB-ASSEMBLY
IS SHIPPED TRAY PACKED. THE TERMINATION COVER IS INCLUDED IN BULK PACKAGING.
PER PACKAGING SPECIFICATION PK 70873-0403.
- 7) APPLICATION TOOLING: SEE APPLICATION SPECIFICATION AS-71662-000.

NOTE FOR LEAD FREE CONVERSION:

THE PRIMARY SHIPPING CARTON WILL BE
LABELED "COMPLIANT TO RoHS DIRECTIVE
2002/95/EC AND ELV ANNEX II OF
DIRECTIVE 2000/53/EC". CARTONS WITHOUT
THIS LABEL MAY CONTAIN PRODUCT WITH
LEAD.



2.445 (62.10)	2.166 (55.02)	2.025 (51.43)	80	71660-3580
2.145 (54.48)	1.866 (47.40)	1.725 (43.81)	68	71660-3568
1.945 (49.40)	1.666 (42.32)	1.525 (38.74)	60	71660-3560
1.695 (43.05)	1.416 (35.97)	1.275 (32.38)	50	71660-3550
1.445 (36.70)	1.166 (29.62)	1.025 (26.04)	40	71660-3540
1.195 (30.35)	.916 (23.27)	.775 (19.68)	30	71660-3530

C	B	A	CKT "N"	MATERIAL NUMBER
---	---	---	---------	-----------------

LEAD FREE CONV
ECN UCP2004-2096
RKADAMS 04/04/23

2	A			
1	B	A		
MFG, SH.		REV.	LTR.	REVISIONS

DIMENSIONS SHOWN (METRIC) INCH UNLESS OTHERWISE SPECIFIED TOLERANCES: ANGULAR ± 1/2°		TITLE SALES ASSEMBLY EBBI VERTICAL IDT RECEPTACLE FOR PVC OR FEP RIBBON CABLE	
3 PLACE ± .005	---	SEE TABLE	
2 PLACE ± .01 ± 0.13	---	SDA-71660-35**	
1 PLACE --- ± 0.25	---	MOLEX INCORPORATED	
DRAFT WHERE APPLICABLE MUST REMAIN WITHIN DIMENSIONS		SHEET NO. DATE 1 OF 2 00/02/22	
DRWG. BY: DGA	CHK'D. BY: DGA	FILE NAME	THIS DRAWING CONTAINS INFORMATION THAT IS PROPRIETARY TO MOLEX INC. AND SHOULD NOT BE USED WITHOUT WRITTEN PERMISSION
APP'D. BY: MGB	SCALE: 4: 1		DIV. SIZE: C C

