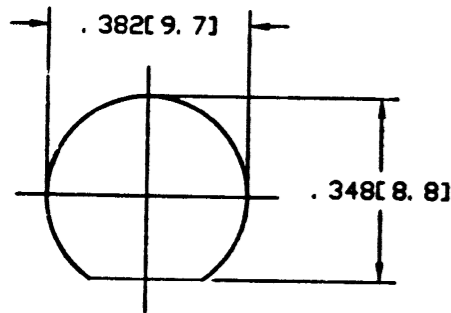
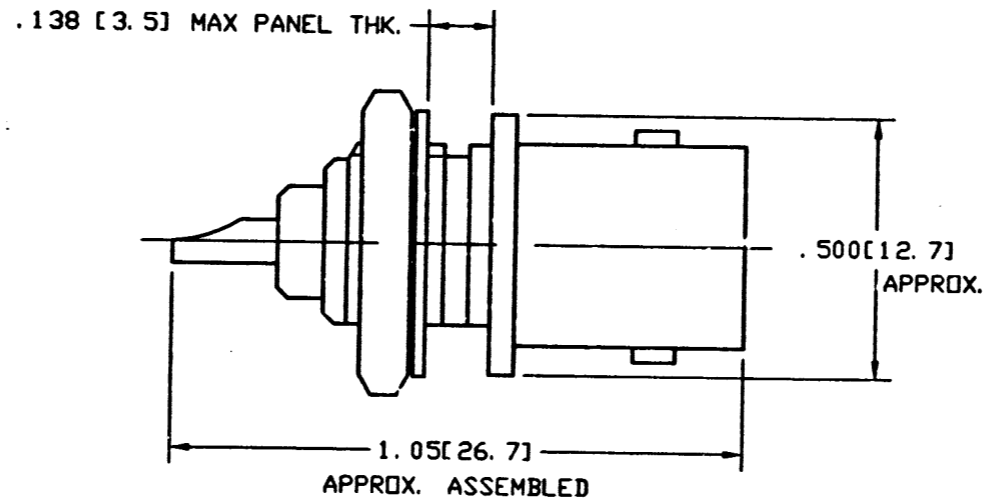


NOTES:

1. BRASS BODY, NICKEL PLATED.
2. DELRIN INSULATOR.
3. GOLD PLATED, PHOSPHOR BRONZE CONTACT, .000003.
4. PACKAGE IN BAG #999-313.
5. DO NOT SCALE THIS DRAWING.
6. UNLESS OTHERWISE SPECIFIED, ALL DIMENSIONS ARE AFTER PLATING.

31-221-75RFX

DRAWING NO.		REVISIONS			
REV	DESCRIPTION	DATE	ECO	APPR	
A	THIRD ANGLE PROJ.	10/3/91	38063	DR	
B	SEE SHEET 1	1/15/99	42788	CPM/	



MOUNTING HOLE DETAIL

ENGLISH [METRIC]

CUSTOMER OUTLINE DRAWING

<p>UNLESS OTHERWISE SPECIFIED, DIMENSIONS ARE IN INCHES AND TOLERANCES ARE: 2 PLACE DECIMAL ±.015 (0.381 mm) 3 PLACE DECIMAL ±.005 (0.127 mm) ANGLES ± 1°</p> <p>NOTICE - These drawings, specifications, or other data (1) are, and remain the property of Amphenol Corp. (2) must be returned upon request; and (3) are confidential and not to be disclosed to any person other than those to whom they are given by Amphenol Corp. The furnishing of these drawings, specifications, or other data by Amphenol Corp., or to any other person to anyone for any purpose is not to be regarded by implication or otherwise in any manner licensing, granting rights or permitting such holder or any other person to manufacture, use or sell any product, process or design, patented or otherwise, that may in any way be related to or disclosed by said drawings, specifications, or other data.</p>	MATERIAL	DRAWN C. McGRATH DATE 12/17/98 ENGINEER T. AUBIN DATE 12/17/98 APPROVED DATE 1/1/99	TITLE BNC BULKHEAD RECEPTACLE 75 OHM	Amphenol Amphenol Corporation RF/Microwave Operations Danbury, Conn. U.S.A. 06810 SCALE: 3:1 SHEET 2 OF 2	
	REFERENCE EAR 962370	CAD FILE H:\DEPT611\BNC\031\ASSY\221\75RFXSH2	CODE ID 74868		DWG SIZE B