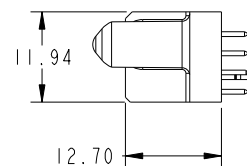
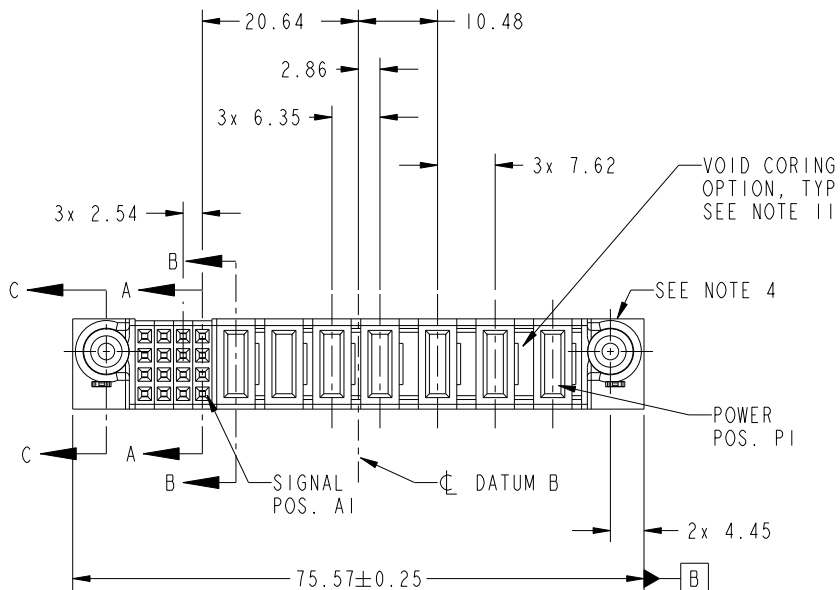


PRODUCT NO.	ROWS	SIGNAL				POWER								
		E2	4	3	2	1	P7	P6	P5	P4	P3	P2	P1	E1
51940-545-- NOTE: 3	D C B A													



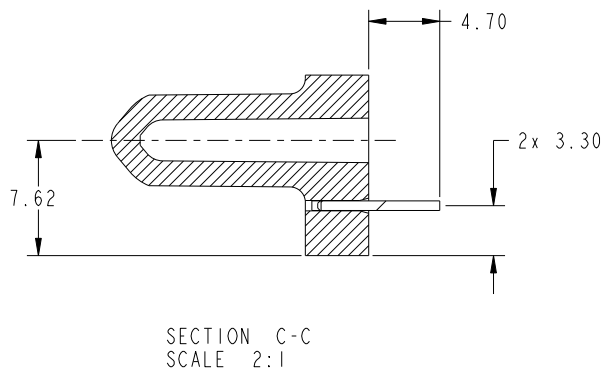
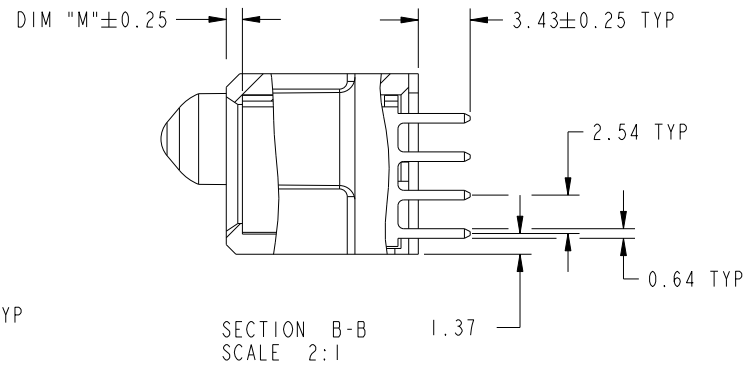
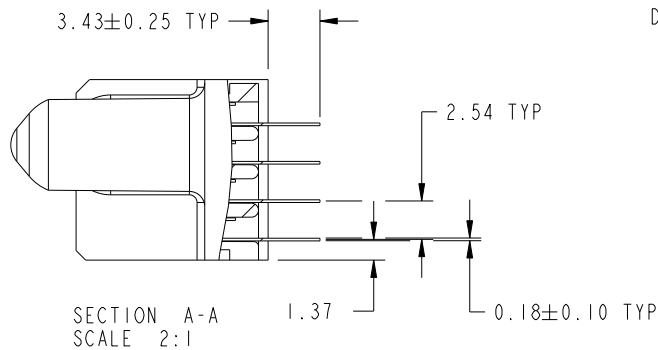
CODE	DIM "M" MATING LENGTH	CONTACT TYPE
E	[N/A]	SIGNAL
PA	[1.07]	POWER
PD	[2.34]	POWER
HA	[N/A]	HOLD-DOWN

spec ref	*	dr	Ruan MT	2014/08/13	projection	MM	size	A4	scale	1:1		
tolerance std	TOLERANCES UNLESS OTHERWISE SPECIFIED	eng	De-Ming Lu	2014/11/03			ecn no	-				
SEE NOTE		chr	-	-	product family			PwrBlade	rel level	Released		
surface	linear	0.X	±0.5		title	51940-545	rev	A				
		0.XX	±0.25						www.fci.com	cat. no.	Product - Customer Drw	sheet 1 of 4
	angular	0°	±2°									

ProjE File - REV C - 2009-06-09

PRODUCT NUMBER

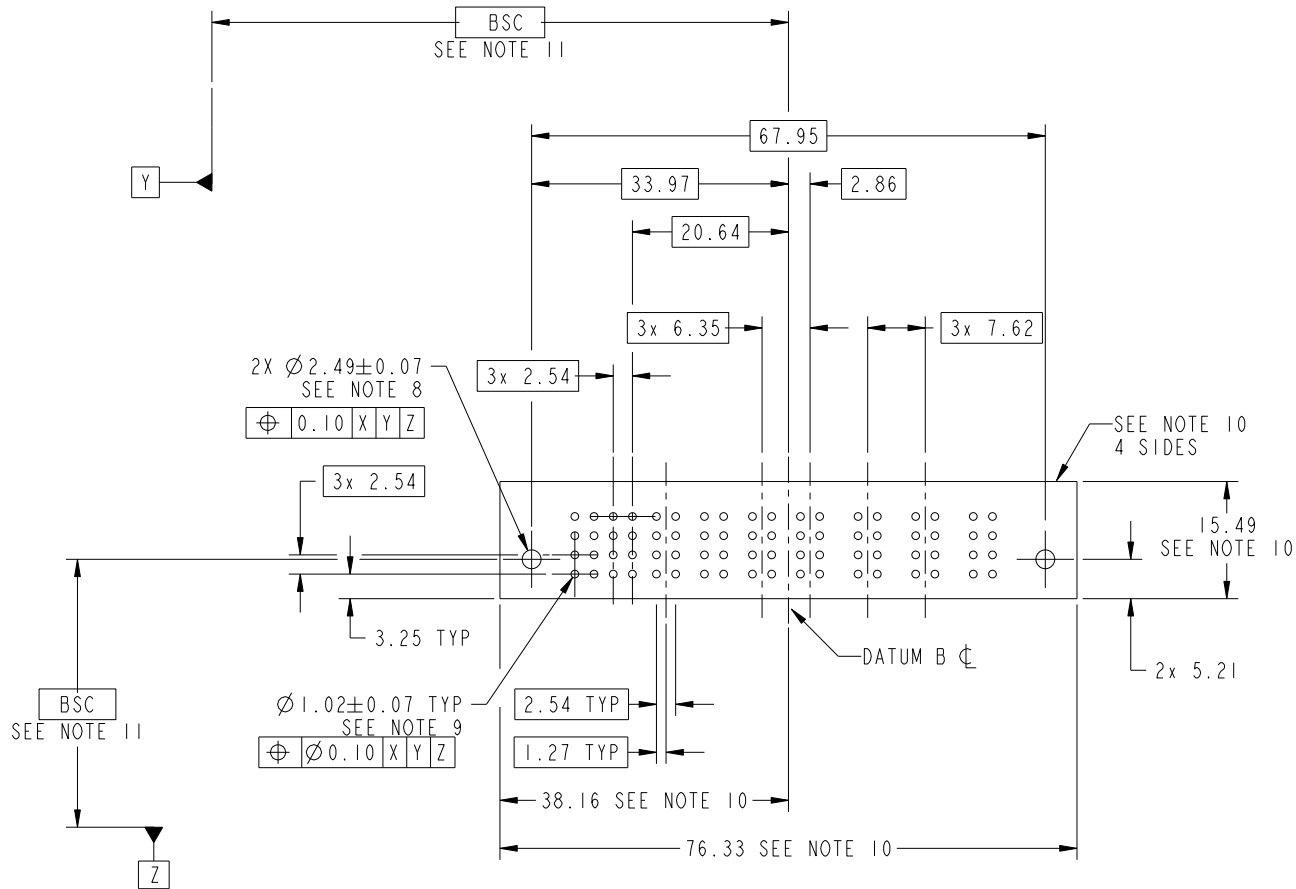
51940-545__
NOTE: 3



dr	Ruan MT	2014/08/13	projection 	MM 	size	A4	scale	1:1
eng	De-Ming Lu	2014/11/03			ecn no	-		
chr	-	-			rel level	Released		
appr	Pei-Ming Zheng	2014/11/03	product family	PwrBlade	rev	A		
		title 3ACP+4P+16S VERTICAL STB RECEP	dwg no 51940-545	www.fci.com	cat. no.	Product - Customer Drw	sheet 2 of 4	

PRODUCT NUMBER

51940-545__
NOTE: 3



RECOMMENDED PCB LAYOUT

dr	Ruan MT	2014/08/13	projection 	MM 	size	A4	scale	1:1	
eng	De-Ming Lu	2014/11/03			ecn no	-			
chr	-	-			rel level	Released			
appr	Pei-Ming Zheng	2014/11/03	product family	PwrBlade					
		title	3ACP+4P+16S VERTICAL STB RECEPT		dwg no	51940-545		rev	A
www.fci.com		cat. no.	Product - Customer Drw		sheet 3 of 4				

PRODUCT NUMBER

51940-545__
NOTE: 3

NOTES:

1. DIMENSIONS AND TOLERANCES ARE IN ACCORDANCE WITH ASME Y14.5M, 1994 UNLESS OTHERWISE SPECIFIED.

CONNECTOR NOTES:

2 HOUSING MATERIAL: UL 94 V-0 GLASS FILLED HIGH-TEMP THERMOPLASTIC
POWER CONTACT MATERIAL: COPPER ALLOY
SIGNAL PIN MATERIAL: COPPER ALLOY

3. SEE ITEM 5 & 6 IN PRINT 10064183 FOR PLATING SPEC OF 51940-545 AND 51940-545LF RESPECTIVELY.

4 MANUFACTURER'S NAME, DATE CODE AND OPTIONAL P/N TO APPEAR ON THIS SURFACE. THE MARK CAN BE OMITTED IF THERE IS NOT ENOUGH SPACE ON THIS SURFACE.

5. PRODUCT SPECIFICATION GS-12-149.
APPLICATION SPECIFICATION BUS-20-067.

6. PACKAGED IN TRAYS.

PCB NOTES:

7. ALL HOLE DIAMETERS ARE FINISHED HOLE SIZE.

8 MOUNTING HOLES, WHERE APPLICABLE, ARE UNPLATED.

9 $\varnothing 1.151 \pm 0.025$ DRILLED HOLES PLATED WITH
0.008 MIN SnPb OR Sn OVER 0.03
TO 0.08 Cu PLATING TO ACHIEVE
 $\varnothing 1.02 \pm 0.07$ HOLE.

10 CONNECTOR KEEP-OUT ZONE.

11. THE VOID CORING IN BETWEEN POWER MODULES, SIGNAL MODULES AND END MODULES ARE OPTIONAL AND THE SHAPE MAY BE DIFFERENT FOR OPTIMIZE THE MOLDING PROCESS. THE VOID CORING WILL NOT EFFECT TO PRODUCT FUNCTION.

12. DATUM AND BASIC DIMENIONS ARE ESTABLISHED BY CUSTOMER.

dr	Ruan MT	2014/08/13	projection 	MM 	size	A4	scale	1:1
eng	De-Ming Lu	2014/11/03			ecn no	-		
chr	-	-			product family	PwrBlade	rel level	Released
appr	Pei-Ming Zheng	2014/11/03			title 3ACP+4P+16S VERTICAL STB RECEPT	dwg no 51940-545	rev A	
www.fci.com		cat. no.	Product - Customer Drw			sheet 4 of 4		



Copyright FCI.