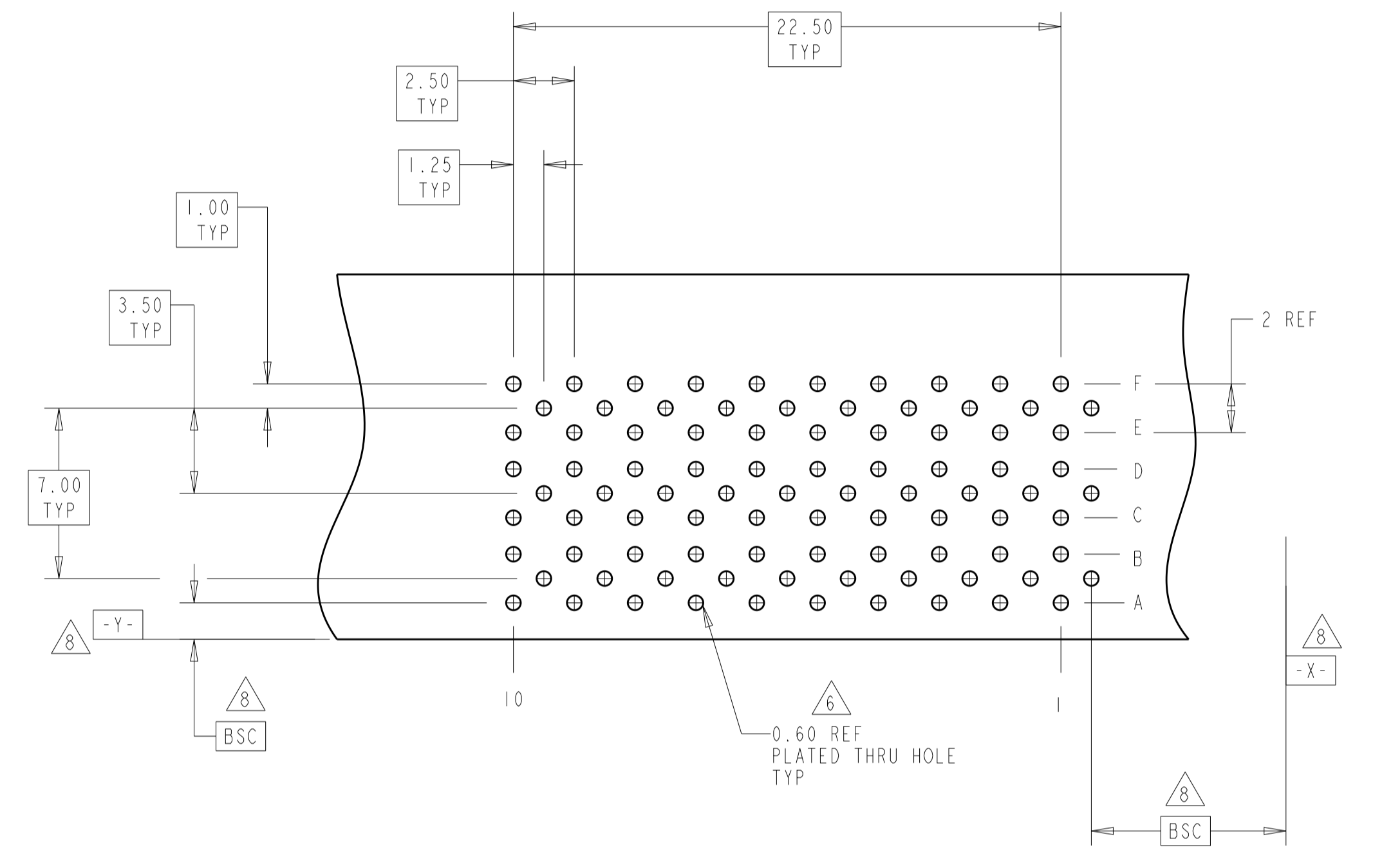
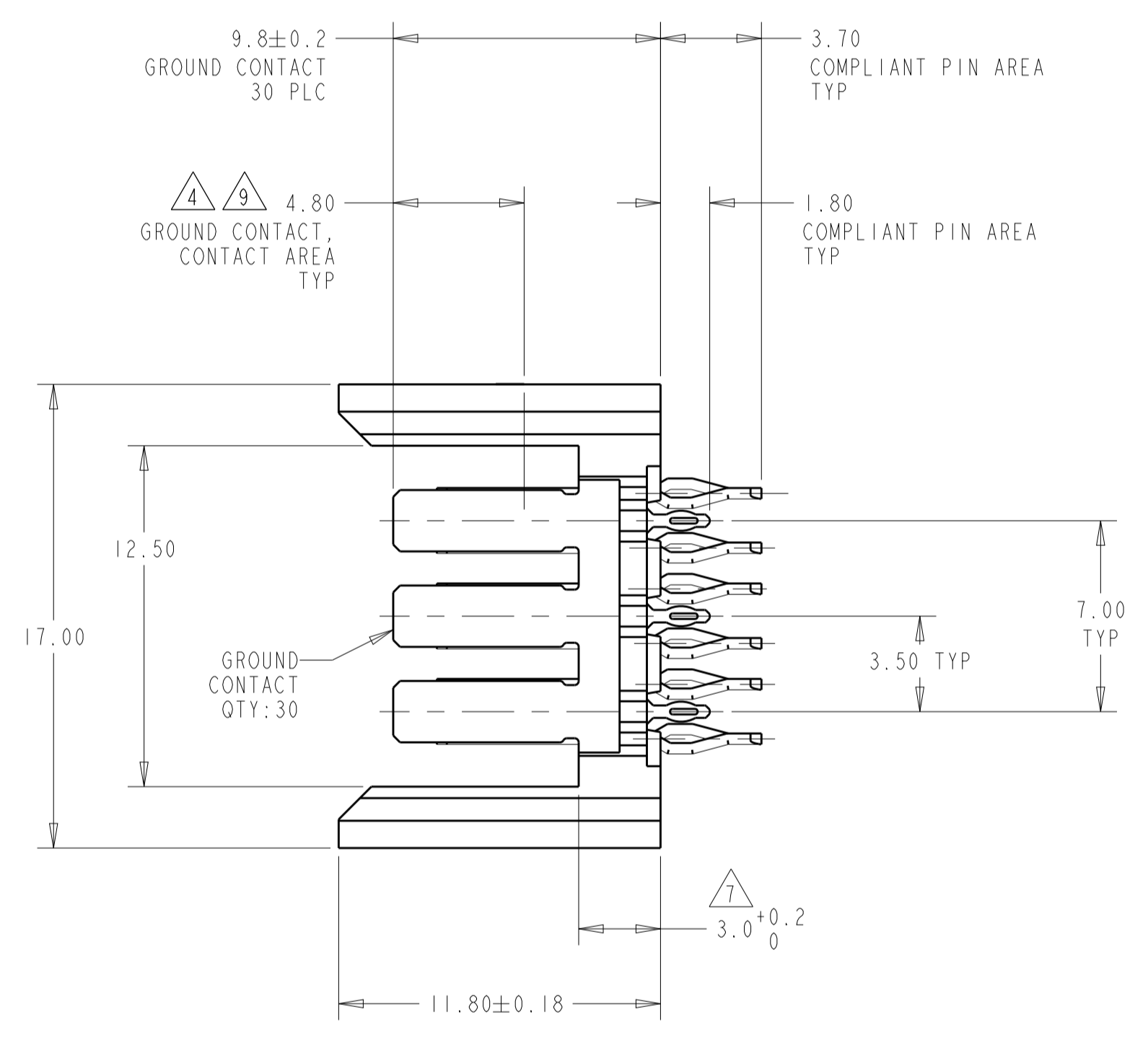
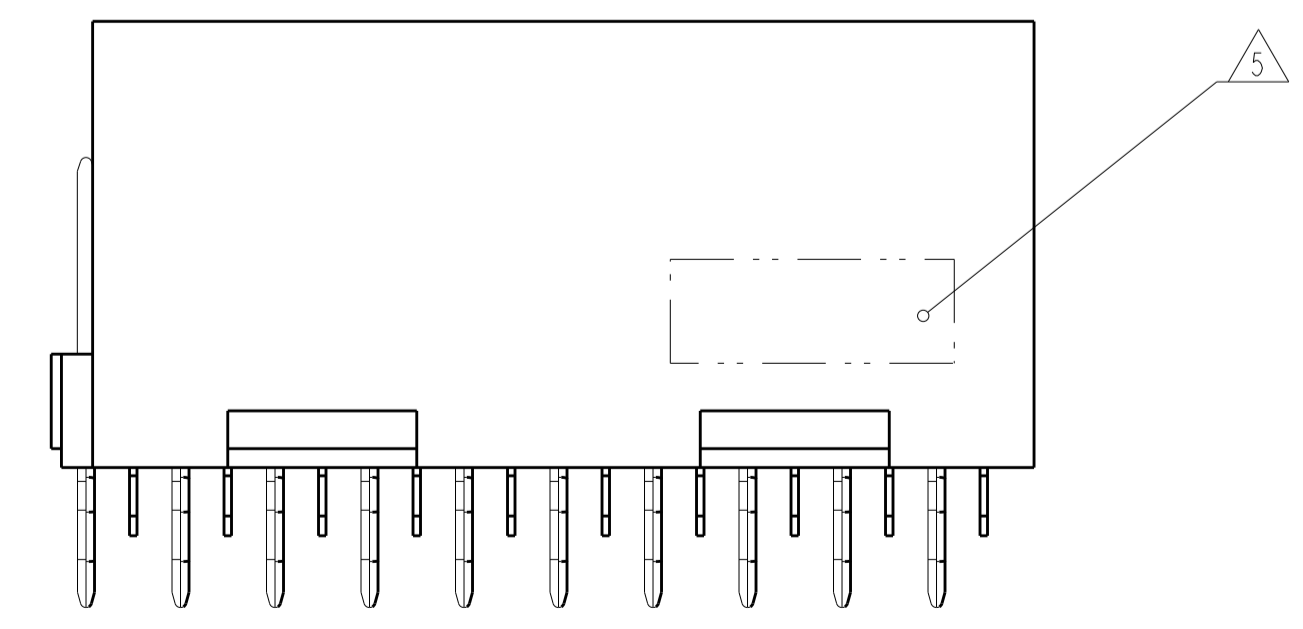
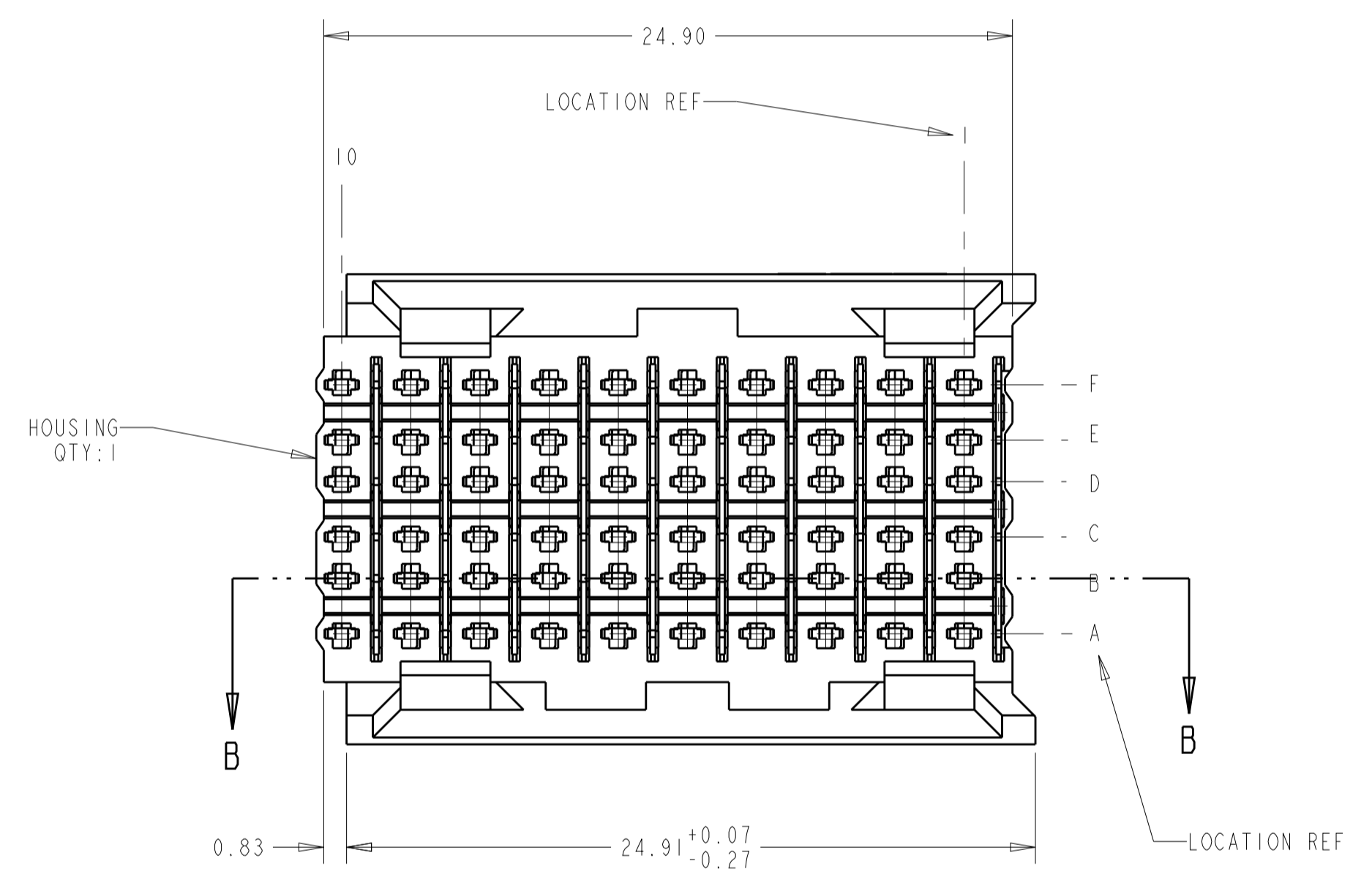
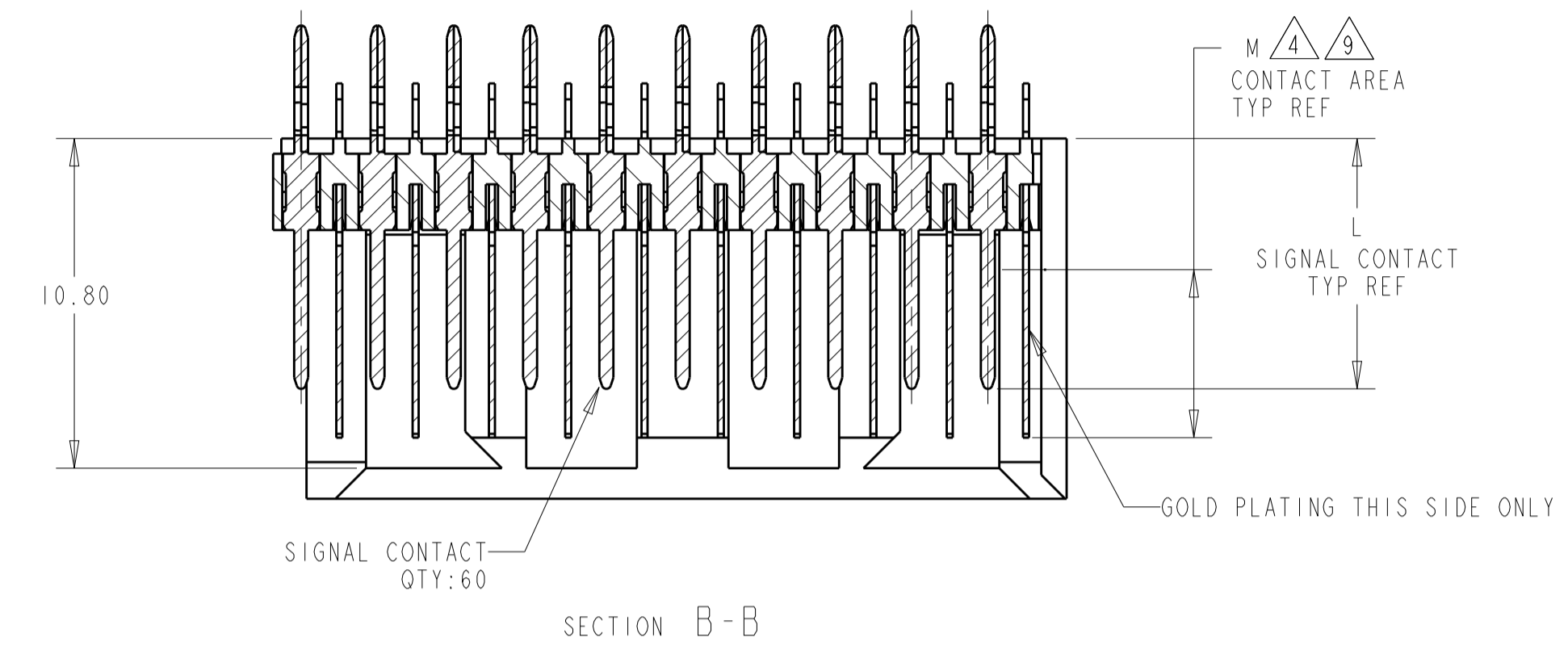


LOC	DIST	REV	DATE	BY	CHK	APPV
AD	00	C	23AUG2012	KH	JE	

- 2 PHOSPHOR BRONZE
- 3 LCP, UL94V-0
- 4 FINISH:
CONTACT MATING AREA MEETS THE PERFORMANCE REQUIREMENTS OF
TE CONNECTIVITY PRODUCT SPECIFICATION 108-1957; BASED ON
TELCORDIA GR-1217-CORE, APPLICATIONS IN UNCONTROLLED ENVIRONMENTS.
COMPLIANT PIN AREA: 0.5µm MIN MATTE TIN OVER BASE PLATING.
- 5 CONNECTOR MARKED WITH PART NUMBER AND DATE CODE
- 6 REFERENCE APPLICATION SPEC 114-13020 FOR RECOMMENDED
PLATED THRU HOLE DIAMETER AND PLATING THICKNESS.
- 7 APPLICATION SEATING HEIGHT TO PRINTED CIRCUIT BOARD
- 8 DATUMS AND BASIC DIMENSIONS ESTABLISHED BY CUSTOMER
- 9 CONTACT AREA LUBRICATED WITH BELLCORE APPROVED LUBRICANT
TECHNICAL REFERENCE: GR-1217-CORE, ISSUE 1, NOVEMBER 1995



RECOMMENDED
PRINTED CIRCUIT BOARD
LAYOUT
COMPONENT SIDE OF PRINTED CIRCUIT BOARD

5.50	8.2	6645402-1
M	L	PART NUMBER

THIS DRAWING IS A CONTROLLED DOCUMENT.		OWN: B. CARBO 12JUL2007	
DIMENSIONS: mm		CHK: M. BOWERS 12JUL2007	
TOLERANCES UNLESS OTHERWISE SPECIFIED:		APPV: M. BOWERS 12JUL2007	
0 PLC ± 1 PLC ± 2 PLC ±0.13 3 PLC ±0.05 4 PLC ± ANGLES ±		NAME: HEADER ASSEMBLY, 60 POSITION, 6 ROW, BACKPLANE CONNECTOR, Z-PACK HS3	
MATERIAL: HOUSING: 3	FINISH: 4	WEIGHT: -	SIZE: A1
CONTACTS: 2	SIGNAL CONTACT: 4	CUSTOMER DRAWING	SCALE: 5:1
		CAGE CODE: 00779	DRAWING NO: 6645402
		SHEET: 1	OF: 1
		REV: C	