

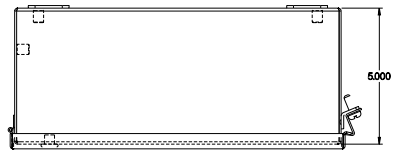


PART No. 1414PHRKLP

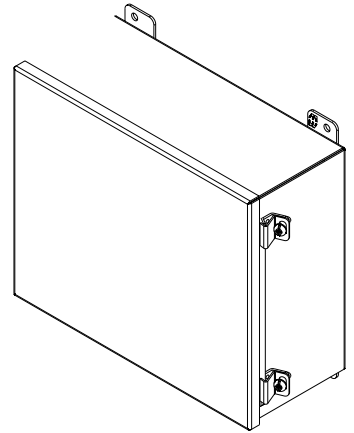
for more information visit

www.hammfg.com

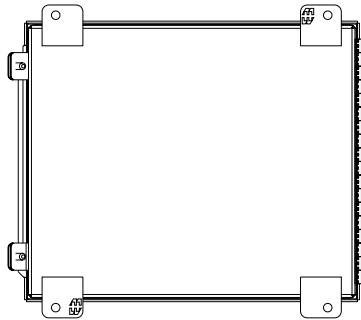
Data subject to change without notice



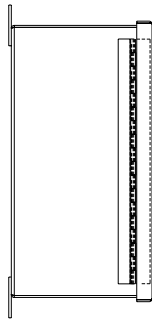
TOP VIEW



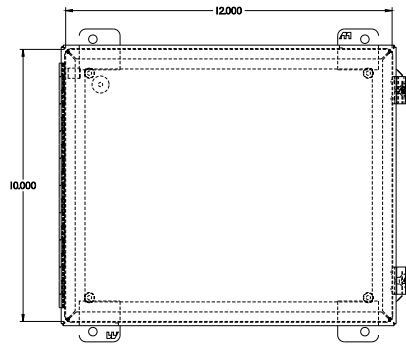
ISOMETRIC VIEW



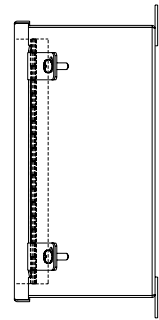
BACK VIEW



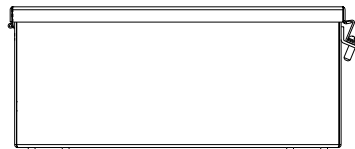
LEFT SIDE VIEW



FRONT VIEW



RIGHT SIDE VIEW



BOTTOM VIEW