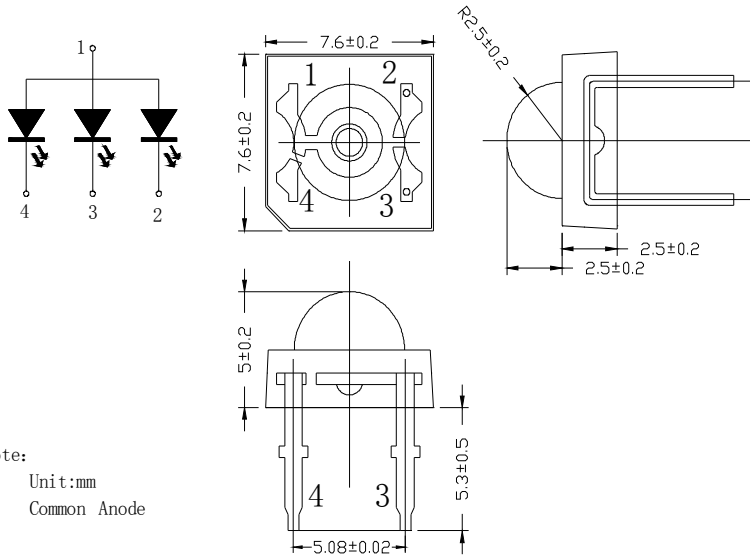


Features:

- \* 5mm Piranha Lamp LED
- \* Emitting Color Red Green Blue
- \* Low Power Consumption
- \* Ideal For Backlight Toy Light-Gift Indicator

Circuit and Package Dimensions



Absolute Maximum Rating

Item	Symbol	Absolute Maximum Rating	Unit
Forward Current	$I_F$	20	mA
Peak Forward Current*	$I_{FP}$	100	mA
Reverse Voltage	$V_R$	5	V
Reverse Current	$I_R$	10	uA
Power Dissipation	$P_D$	150	mW
Electrostatic discharge	$E_{SD}$	800	V
Operation Temperature	$T_{OPR}$	-25~+80	°C
Storage Temperature	$T_{STG}$	-5~+45	°C
Lead Soldering Temperature	$T_{SOL}$	Max. 260°C for 5sec Max(3mm from the base of the epoxy bulb)	

Typical Optical/Electrical Characteristics

Product Type	Lens Color	Emitting Color	Forward Voltage (v)		Prcep Wavelength (nm)		Luminous Intensity (mcd)		50% Power Angle (deg)
			Type	Max.	Type.	Max.	Min.	Type	Type
QL5BOHSKB	White Diffused	<b>R</b>	1.8	2.2	620	625	600	800	90
		<b>G</b>	3.0	3.3	517.5	520	1200	1500	
		<b>B</b>	3.0	3.3	460	62.5	500	700	

SPEC NO:

REV NO:

DATE:2012/5  
/30

Page:1/1