

# Thermofit Molded Parts

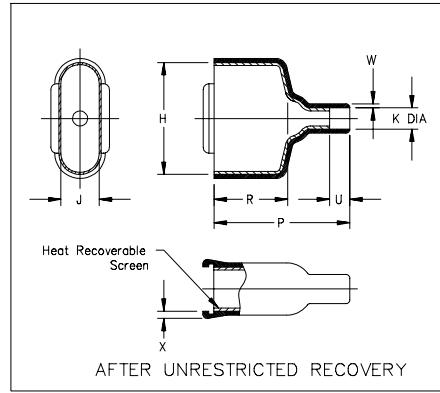
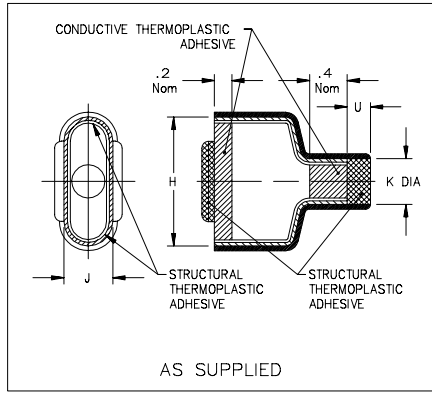
## Specification Control Drawing

### Limited Distribution

Part Number : 214A0XX-3S/200  
 Description : Boot, Rectangular, D-Subminiature, Straight, with Heat Recoverable Screen

#### NOTES

- All dimensions are in  $\frac{\text{Inches}}{\text{(Millimeters)}}$
- Dimensions appearing in table are as follows:
  - a - as supplied
  - b - after unrestricted recovery
- Coating is standard. As supplied dimensions appearing in table are for uncoated parts. When coating is added entry diameters will be reduced by .06 max.
  - a - Conductive thermoplastic adhesive
  - b - Structural thermoplastic adhesive



Part Number	H		J		K		P Ref b	R Ref b	U		W ±20% b	X ±20% b
	Min a	±5% b	Min a	±5% b	Min a	Max b			Min a	±20% b		
214A011-3S/200	.82 [20.8]	.80 [20.3]	.62 [15.7]	.42 [10.7]	.35 [9.0]	.16 [4.1]	1.30 [33.0]	.75 [19.0]	.08 [2.0]	.16 [4.0]	.04 [1.0]	.12 [3.0]
214A021-3S/200	1.14 [29.0]	1.11 [28.2]	.62 [15.7]	.42 [10.7]	.43 [11.0]	.21 [5.3]	1.54 [39.0]	.87 [22.0]	.15 [3.8]	.24 [6.0]	.04 [1.0]	.12 [3.0]
214A032-3S/200	1.69 [42.8]	1.66 [42.2]	.62 [15.7]	.42 [10.7]	.59 [15.0]	.32 [8.1]	1.77 [45.0]	.98 [25.0]	.20 [5.0]	.25 [6.3]	.04 [1.0]	.12 [3.0]
214A042-3S/200	2.34 [59.5]	2.31 [58.7]	.59 [15.0]	.42 [10.7]	.75 [19.0]	.34 [8.6]	2.09 [53.0]	1.10 [28.0]	.20 [5.0]	.35 [9.0]	.04 [1.0]	.12 [3.0]
214A052-3S/200	2.28 [58.0]	2.28 [57.9]	.69 [17.5]	.54 [13.7]	.83 [21.0]	.42 [10.7]	2.40 [61.0]	1.26 [32.0]	.26 [6.5]	.39 [10.0]	.04 [1.0]	.12 [3.0]

**Raychem**

RAYCHEM CORPORATION  
 300 CONSTITUTION DRIVE  
 MENLO PARK, CALIFORNIA 94025

Revision : D  
 Date : 12/1/94

Part Number : 214A0XX-3S/200  
 Description : Boot, Rectangular, D-Subminiature, Straight, with Heat Recoverable Screen

# Thermofit Molded Parts

## Specification Control Drawing

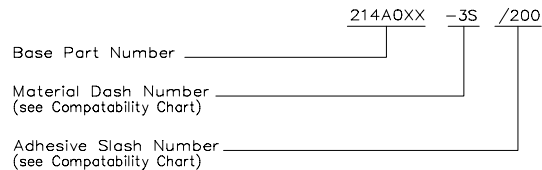
### Limited Distribution

Part Number : 214A0XX-3S/200  
 Description : Boot, Rectangular, D-Subminiature, Straight, with Heat Recoverable Screen

Material Dash No.	Material Description	RT Spec	Coating Slash No.	Coating S No.	Coating Description
-3S	Polyolefin/Copper Composite	RT-1370	/200	N/A	Adhesives

**If this document is printed it becomes uncontrolled.  
 Check for the latest revision.**

Ordering Information



THIS DRAWING IS SUBJECT TO CHANGE WITHOUT NOTICE; CONSULT YOUR NEAREST FIELD REPRESENTATIVE FOR CURRENT REVISION

**Raychem**

RAYCHEM CORPORATION  
 300 CONSTITUTION DRIVE  
 MENLO PARK, CALIFORNIA 94025

Revision : D  
 Date : 12/1/94

Part Number : 214A0XX-3S/200  
 Description : Boot, Rectangular, D-Subminiature, Straight, with Heat Recoverable Screen