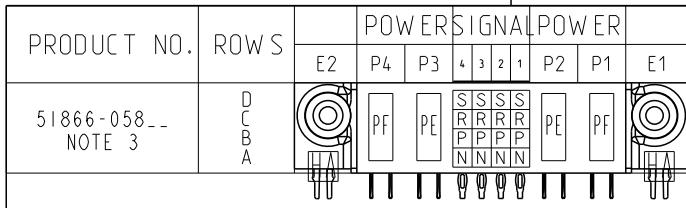


1

2

3

4

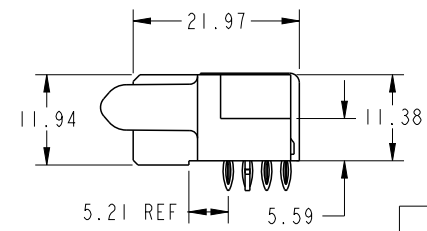
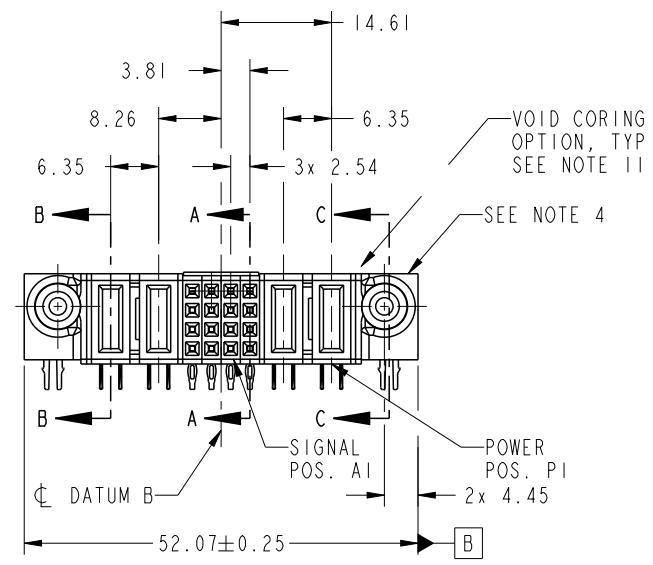


A

B

C

D



CODE	DIM "M" MATING LENGTH	CONTACT TYPE
PF	[2.34]	POWER
PE	[1.07]	POWER
S	[N/A]	SIGNAL
R	[N/A]	SIGNAL
P	[N/A]	SIGNAL
N	[N/A]	SIGNAL
HA	[N/A]	HOLD-DOWN



Copyright FCI.

spec ref		SEE NOTES		dr	Luo Weller	2014/01/07	projection 	MM ←→	size	A4	scale	1:1			
tolerance std		TOLERANCES UNLESS OTHERWISE SPECIFIED		eng	Luo Weller	2014/01/25			product family	PwrBlade	ecn no			-	
SEE NOTES				chr	-	-					rel level			Released	
surface	✓	linear	0.X	±0.50	FCI	title	2P+16S+2P	dwg no	51866-058	rev	A	www.fci.com			
			0.XX	±0.25									cat. no.	Product - Customer Drw	sheet 1 of 4
			0.XXX	±0.10											
angular	0°	±2°													

PrdE File - REV C - 2009-06-09

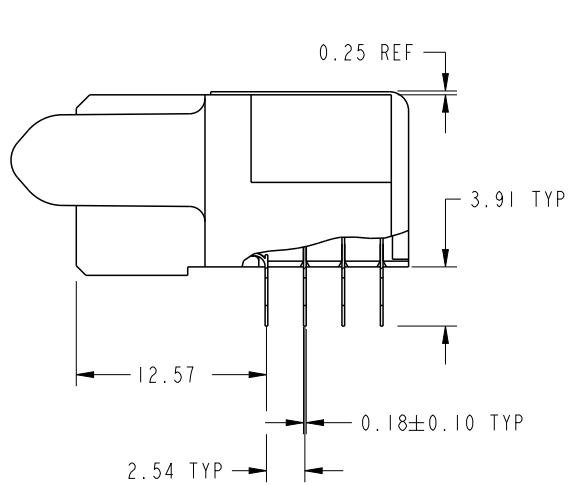
2

3

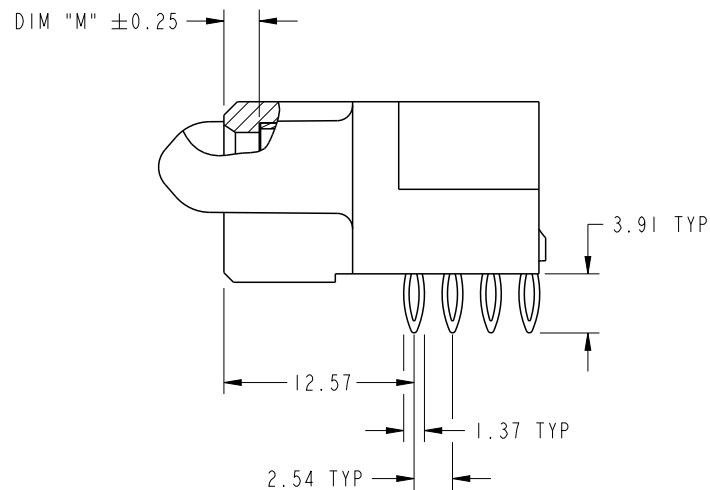
4

PRODUCT NUMBER

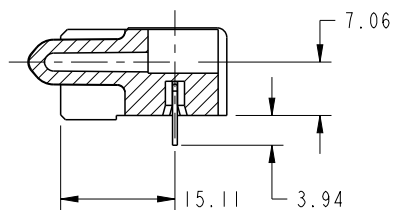
51866-058__
NOTE 3



BROKEN-OUT SECTION A-A
SCALE 2:1



BROKEN-OUT SECTION B-B
SCALE 2:1

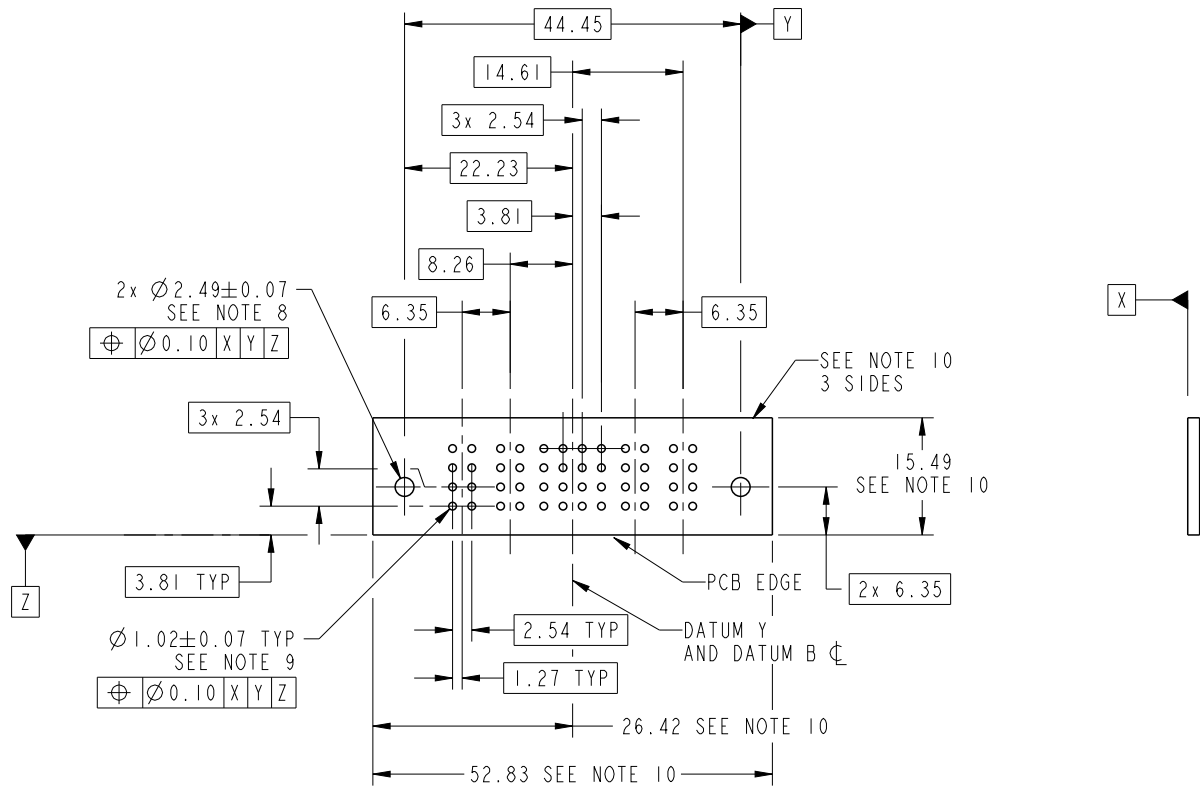


SECTION C-C

dr	Luo Weller	2014/01/07	projection 	MM ←————→	size	A4	scale	1:1
eng	Luo Weller	2014/01/25			ecn no	-		
chr	-	-			rel level	Released		
appr	Pei-Ming Zheng	2014/01/25	product family	PwrBlade	rev	51866-058	A	
		title	2P+16S+2P R/A PRESS-FIT RECEPTACLE		dwg no	51866-058	rev	A
www.fci.com		cat. no.	Product - Customer Drw			sheet 2 of 4		

PRODUCT NUMBER

51866-058__
NOTE 3



RECOMMENDED PCB LAYOUT

dr	Luo Weller	2014/01/07	projection 	MM 	size	A4	scale	1:1
eng	Luo Weller	2014/01/25			ecn no	-		
chr	-	-			rel level	Released		
appr	Pei-Ming Zheng	2014/01/25	product family	PwrBlade	rel level	Released		
	title	2P+16S+2P		dwg no	51866-058		rev	A
		R/A PRESS-FIT RECEPTACLE						
www.fci.com	cat. no.	Product - Customer Drw			sheet 3 of 4			

PRODUCT NUMBER

51866-058__
NOTE 3

NOTES:

1. DIMENSIONS AND TOLERANCES ARE IN ACCORDANCE WITH ASME Y14.5M, 1994 UNLESS OTHERWISE SPECIFIED.

CONNECTOR NOTES:

- 2. HOUSING MATERIAL: UL 94 V-0 GLASS FILLED HIGH-TEMP THERMOPLASTIC
POWER CONTACT MATERIAL: COPPER ALLOY
SIGNAL PIN MATERIAL: COPPER ALLOY
- 3. SEE ITEM 7 & 8 IN PRINT 10064183 FOR PLATING SPEC OF 51866-058 AND 51866-058LF RESPECTIVELY.

4. MANUFACTURER'S NAME, DATE CODE AND OPTIONAL P/N TO APPEAR ON THIS SURFACE. THE MARK CAN BE OMITTED IF THERE IS NOT ENOUGH SPACE ON THIS SURFACE.

5. PRODUCT SPECIFICATION GS-12-149.
APPLICATION SPECIFICATION BUS-20-067.

6. PACKAGED IN TRAYS.

PCB NOTES:

7. ALL HOLE DIAMETERS ARE FINISHED HOLE SIZE.

8. MOUNTING HOLES, WHERE APPLICABLE, ARE UNPLATED.

9. $\varnothing 1.151 \pm 0.025$ DRILLED HOLES PLATED WITH
0.008 MIN SnPb OR Sn OVER 0.03
TO 0.08 Cu PLATING TO ACHIEVE
 $\varnothing 1.02 \pm .07$ HOLE.

10. CONNECTOR KEEP-OUT ZONE.

11. THE VOID CORING IN BETWEEN POWER MODULES, SIGNAL MODULES AND END MODULES ARE OPTIONAL AND THE SHAPE MAY BE DIFFERENT FOR OPTIMIZE THE MOLDING PROCESS. THE VOID CORING WILL NOT EFFECT TO PRODUCT FUNCTION.

dr	Luo Weller	2014/01/07	projection 	MM 	size	A4	scale	1:1			
eng	Luo Weller	2014/01/25			ecn no	-					
chr	-	-			product family	PwrBlade	rel level	Released			
appr	Pei-Ming Zheng	2014/01/25			title	2P+16S+2P		dwg no	51866-058	rev	A
www.fci.com		cat. no.	Product - Customer Drw			sheet 4 of 4					