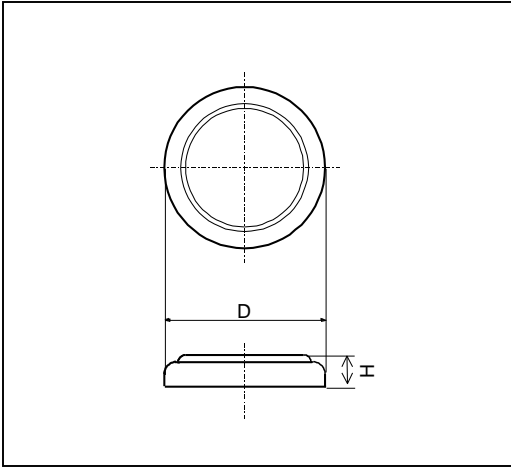


# Cell Type ML614 Specifications



Nominal Voltage (V)		3
Nominal Capacity (mAh) <sup>*1</sup>		3.4
Standard Charge/Discharge Current (mA)		0.015
Max. Discharge Current (mA)	Pulse <sup>*2</sup>	1.5
Charge/Discharge Cycle Characteristics	Discharging Depth of 20%	300
Charging Method (V)	Constant Voltage Charge	2.8 ~ 3.25
Operating Temperature Range (°C)		-20 ~ +60
Dimensions (mm)	Diameter(D)	6.8
	Height(H)	1.4
Approx. Weight (g)		0.16

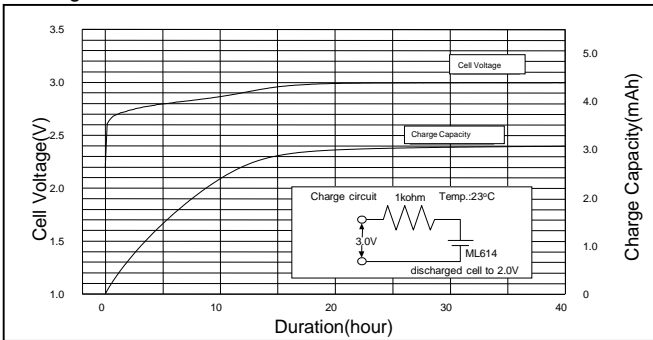
- \* Expected life is 5 years at room temperature.
- \* Consult with FDK when considering multiple-cell construction.
- \*<sup>1</sup> Nominal capacity is determined at an end voltage of 2.0V when the battery is allowed to discharge at a standard current level at +23°C.
- \*<sup>2</sup> Current value for obtaining 2.0V cell voltage when pulse is applied for 15 seconds at 50% discharge depth (50% of the nominal capacity) at +23°C.

**Note) Battery Handling Precautions**

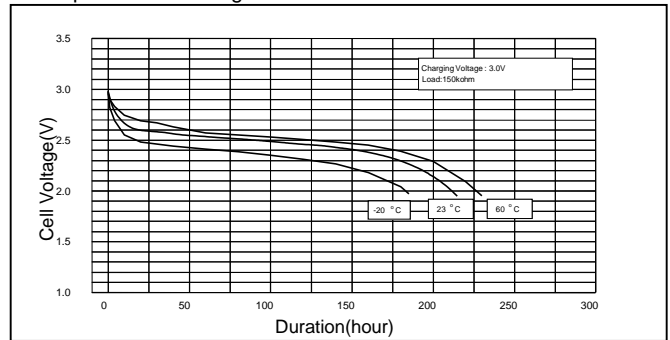
English) [http://www.fdk.com/battery/lithium\\_e/handling\\_precaution.html](http://www.fdk.com/battery/lithium_e/handling_precaution.html)  
 Japanese) [http://www.fdk.co.jp/battery/lithium/handling\\_precaution.html](http://www.fdk.co.jp/battery/lithium/handling_precaution.html)

## Typical Characteristics

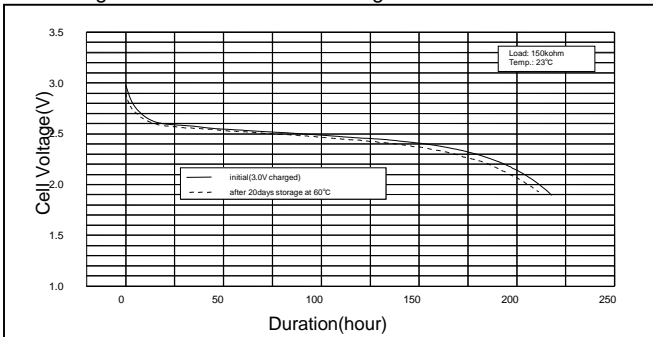
### Charge Characteristics



### Temperature Discharge Characteristics



### Discharge Characteristics after Storage



### Discharge Characteristics after Continuous Charge

