

LOC	DIST	REVISIONS					
A	66	P	LTR	DESCRIPTION	DATE	DWN	APVD
			H1	SEE PRODUCT DRAWING	-	-	-


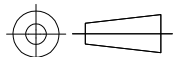
SEE PRODUCTION DRAWING  
466788-3

THIS DRAWING IS UNPUBLISHED.

ALL INTERNATIONAL RIGHTS RESERVED.

BY TYCO ELECTRONICS CORPORATION.

© COPYRIGHT

DIMENSIONS: INCHES	DWN	06AUG2009	MATERIAL	-	FINISH	-				
	CHK	M.YOUNGER	 Tyco Electronics Corporation Harrisburg, PA 17105-3608							
TOLERANCES UNLESS OTHERWISE SPECIFIED:	APVD	-	NAME MINIATURE QUICK CHANGE APPLICATOR SIDE FEED							
	PRODUCT SPEC	-								
0 PLC ± - 1 PLC ± - 2 PLC ± - 3 PLC ± - 4 PLC ± - ANGLES ± -	APPLICATION SPEC	-	SIZE	A4	CAGE CODE	00779	DRAWING NO	C-466788-3	RESTRICTED TO	-
	WEIGHT	-	CUSTOMER DRAWING							
				SCALE	1:1	SHEET	1 OF 1	REV	H1	