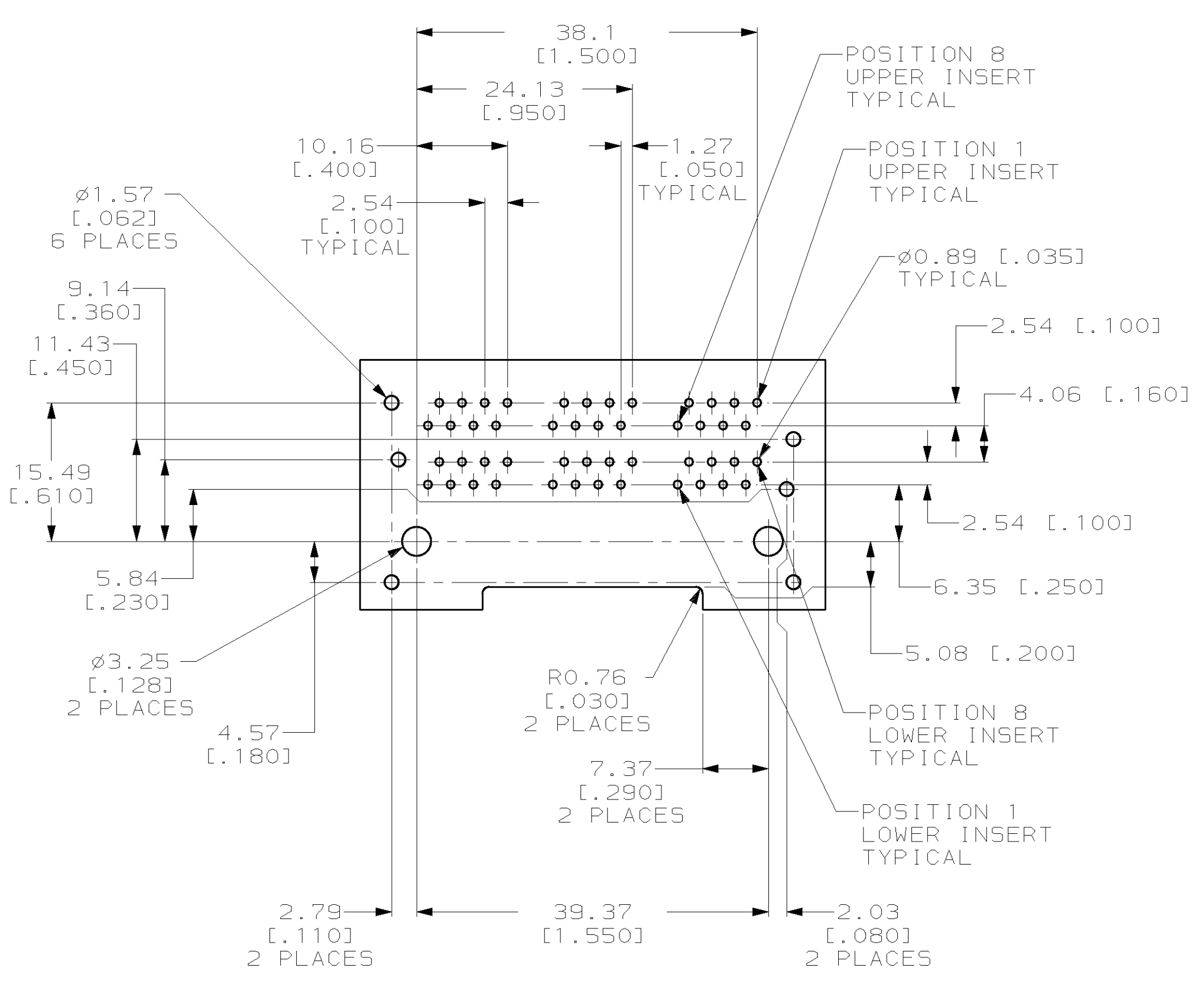
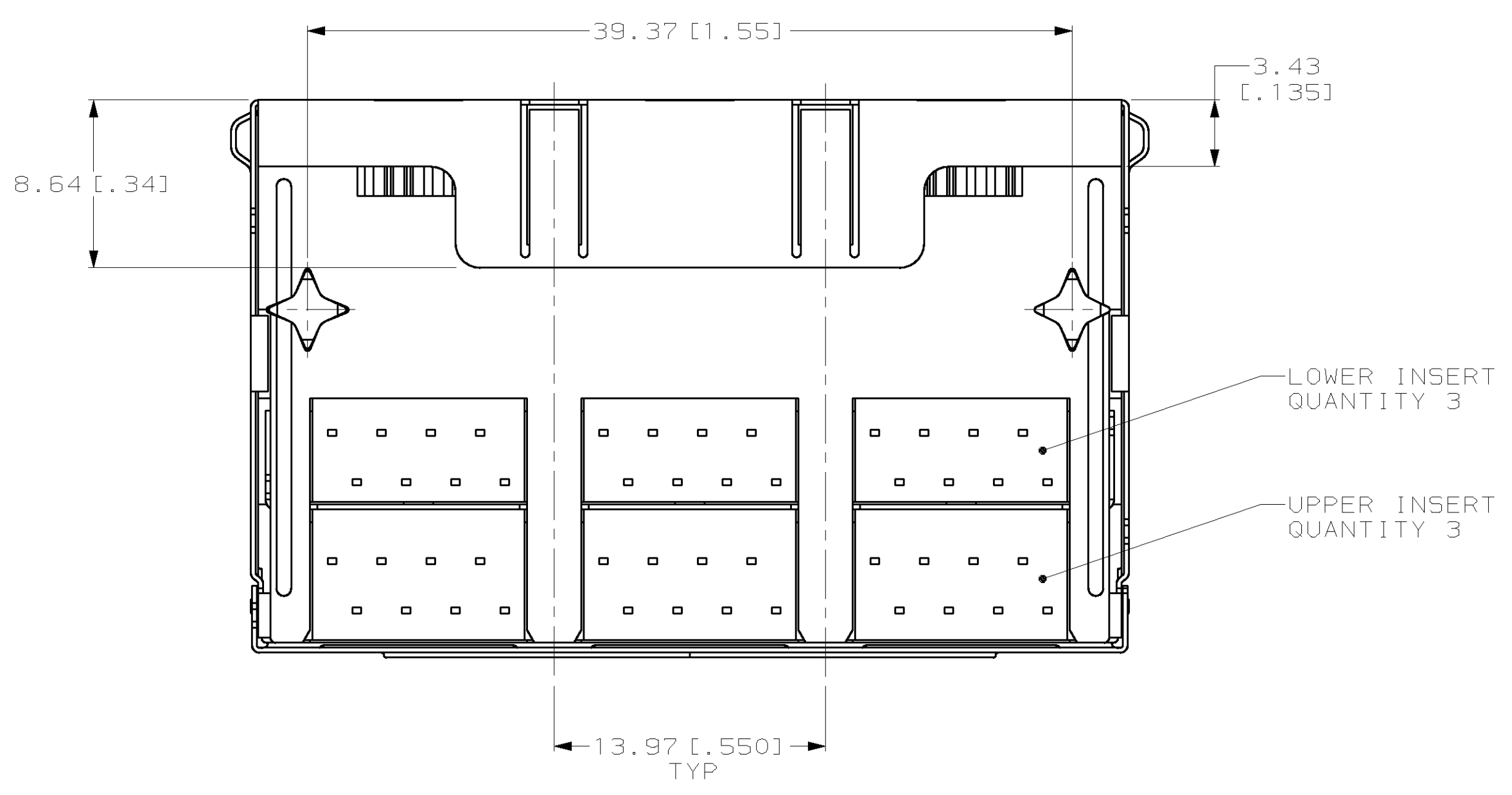
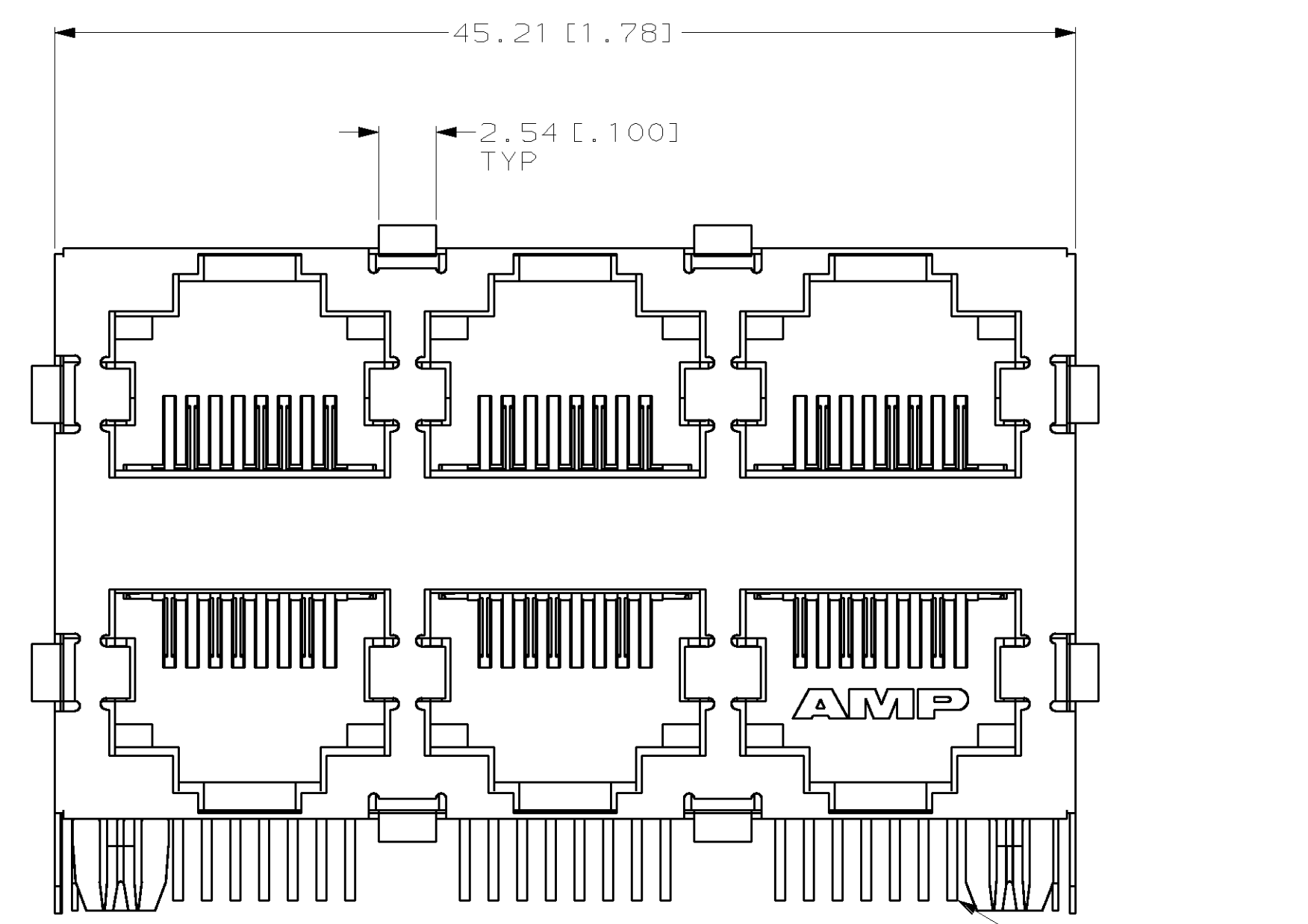
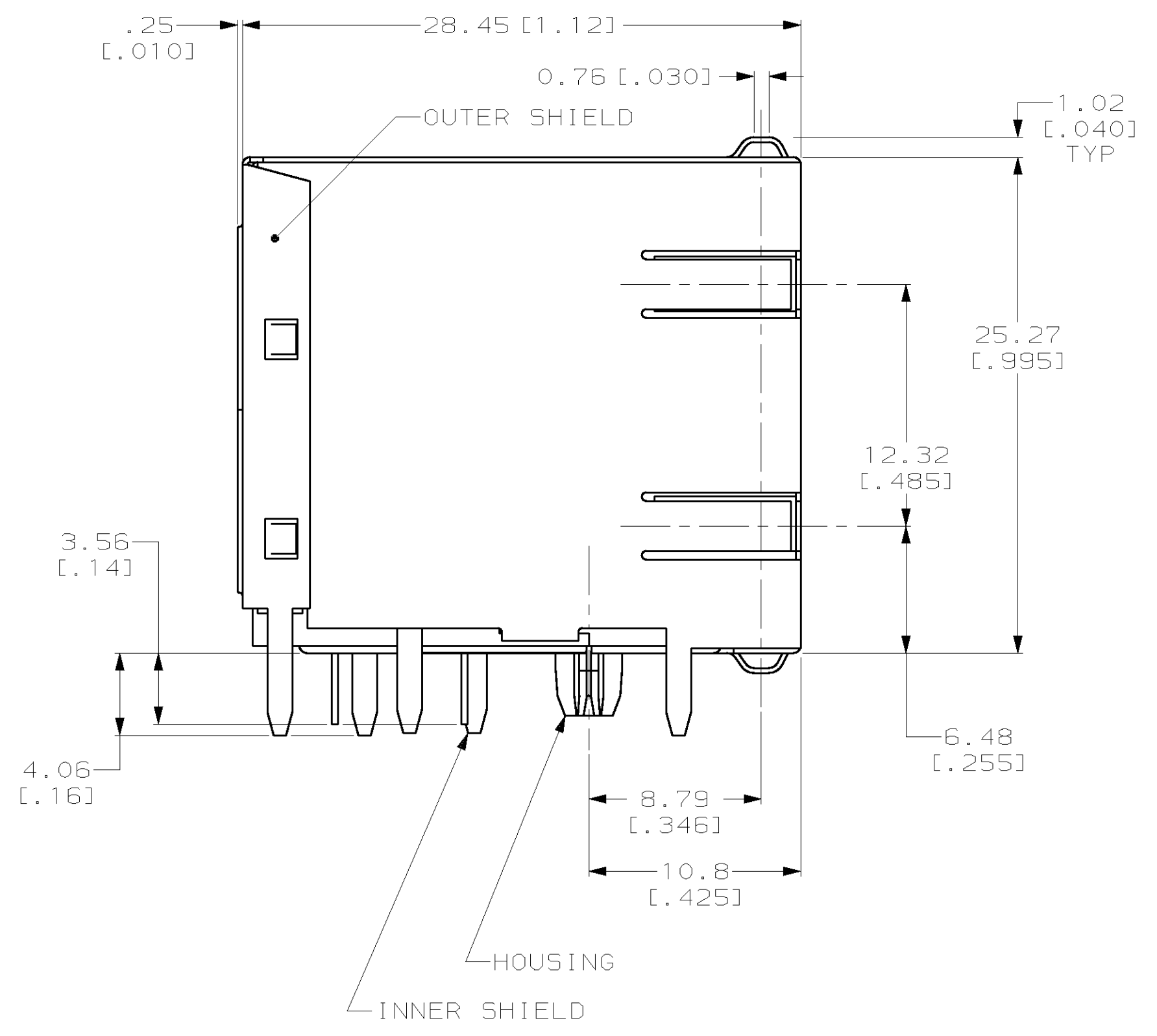
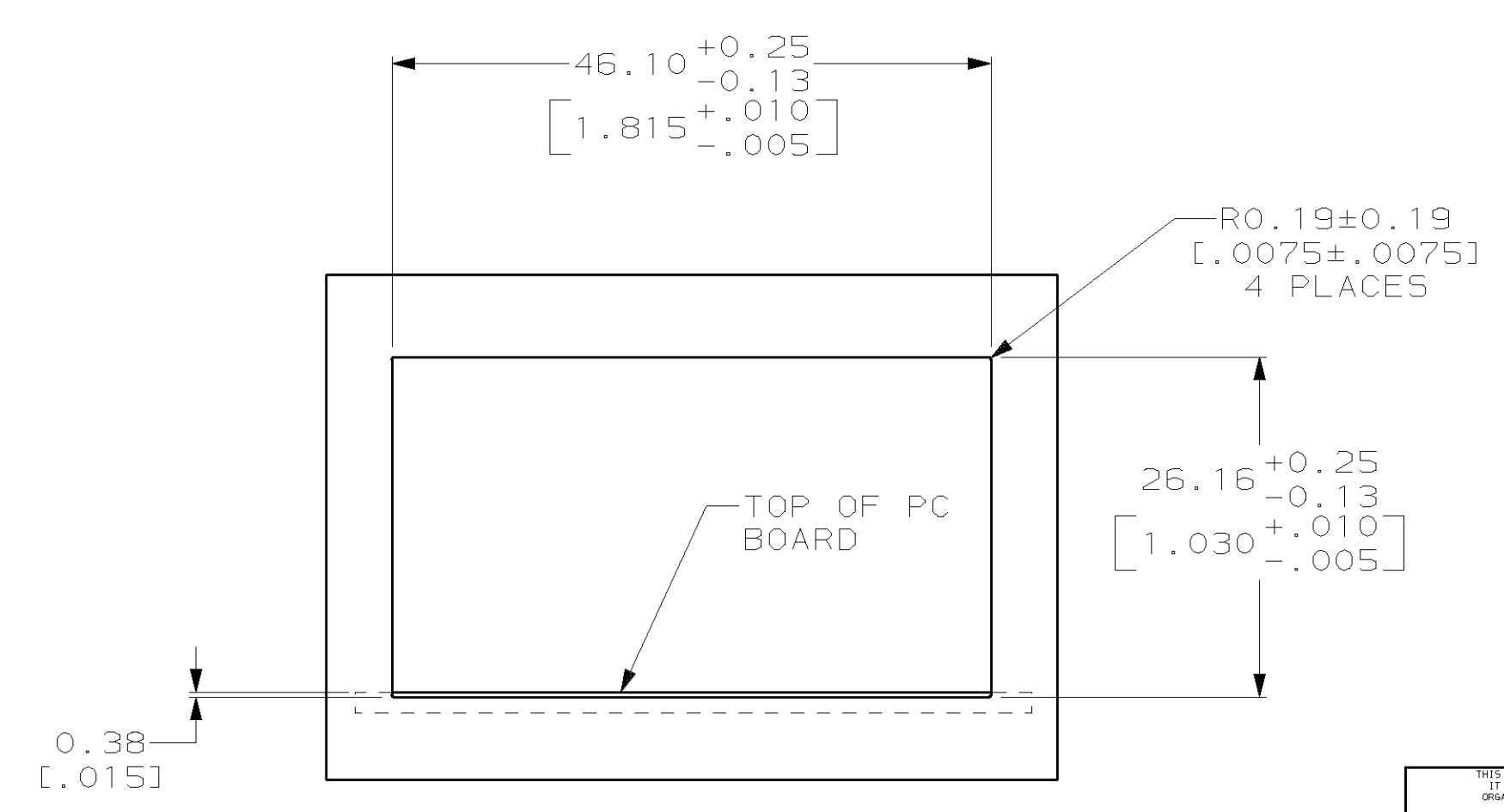


| REV. NO. | | REVISIONS | | | |
|----------|------|------------------------|---------|-----|--------|
| NO. | DATE | DESCRIPTION | DATE | OWN | APPROV |
| AA | 22 | E REV; EC 067A-0140-98 | 18NOV98 | DD | EL |



PC BOARD LAYOUT VIEWED FROM COMPONENT SIDE
 SCALE 2:1



SUGGESTED PANEL CUTOUT DIMENSIONS
 SCALE 2:1

⚠ MATERIAL:
 HOUSING - PCT POLYESTER, BLACK, UL94V-0.
 OVERMOLDED TERMINAL ARRAY - PBT, BROWN.
 TERMINALS - 0.33 [.013] THICK PHOS BRONZE
 PLATED WITH 1.27µm [.000050] MINIMUM THICK
 HARD GOLD IN LOCALIZED AREA AND 3.81µm
 [.000150] MINIMUM THICK TIN-LEAD IN SOLDER
 AREA OVER 1.27µm [.000050] MINIMUM THICK
 NICKEL UNDERPLATE.
 SHIELD - 0.25 [.010] THICK COPPER ALLOY PLATED
 WITH 2.03µm [.000080] MINIMUM TIN-LEAD OVER
 2.54µm [.000100] MINIMUM COPPER.

⚠ JACK CAVITY CONFORMS TO FCC RULES AND
 REGULATIONS, PART 68 SUBPART F.

569261-1
 PART NUMBER

| | | | |
|---|---|---|--|
| <small>THIS DRAWING IS A CONTROLLED DOCUMENT FOR AMP INCORPORATED. IT IS SUBJECT TO CHANGE AND THE CONTROLLING ENGINEERING ORGANIZATION SHALL BE CONTACTED FOR THE LATEST REVISION.</small> | | DWN T. SPRINKLE 6-07-95 CHK C. WHITT 6-22-95 APV J. VARSIK 6-29-95 | AMP Incorporated Harrisburg, PA 17105-3608 |
| DIMENSIONS mm [INCHES] | TOLERANCES UNLESS OTHERWISE SPECIFIED: | NAME STACKED MODULAR JACK ASSEMBLY, 2x3 PORT, 8 POSITION, SHIELDED, PANEL GROUND, CATEGORY 5 | SIZE A1 |
| 0 PLC ± 1 PLC ± 2 PLC ±0.25 [.010] 3 PLC ±0.13 [.005] 4 PLC ± UNLESS OTHERWISE SPECIFIED | MATERIAL FINISH | APPLICATION SPEC WEIGHT CUSTOMER DRAWING | DRAWING NO C-569261 SCALE 4:1 SHEET 1 OF 1 REV E |