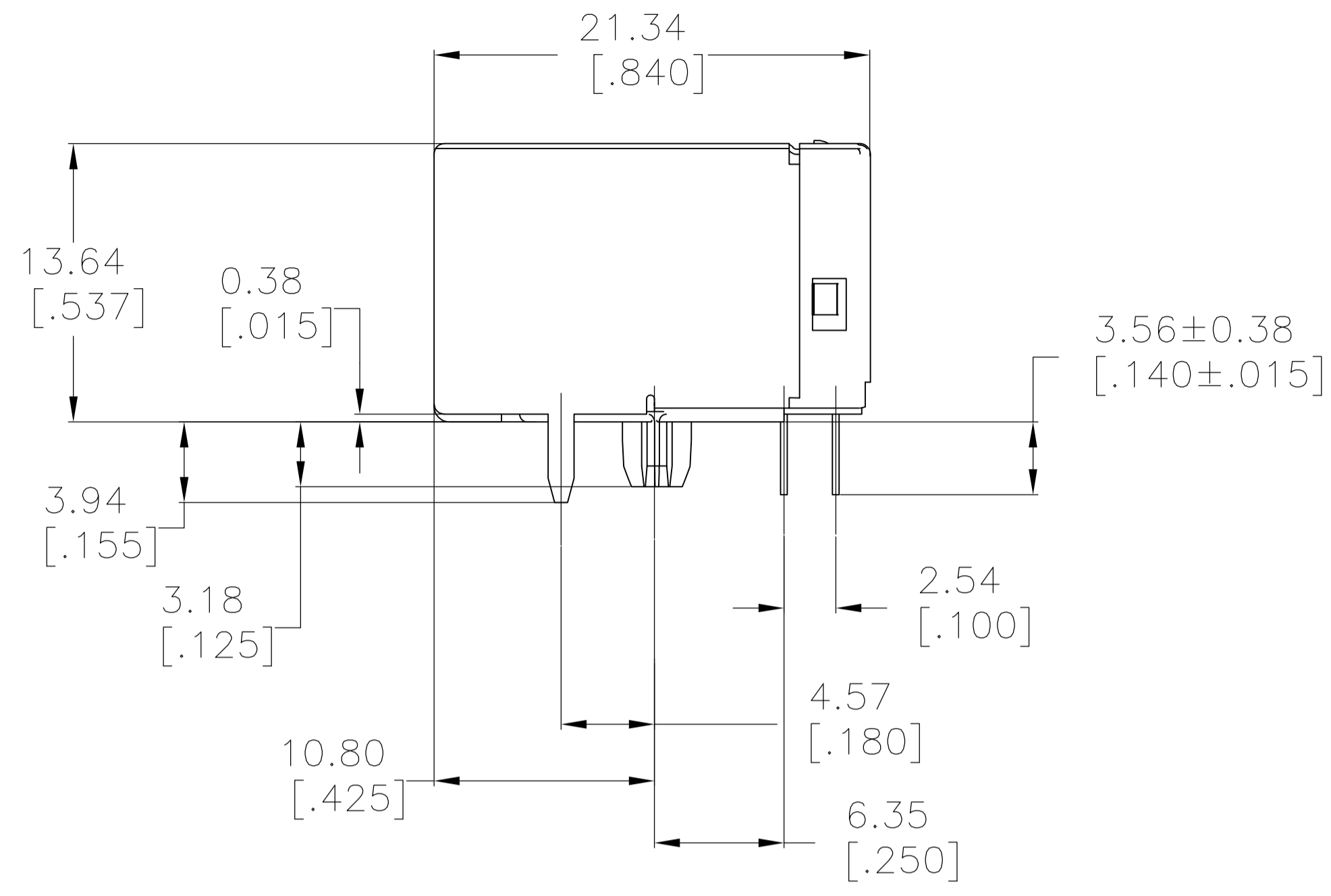
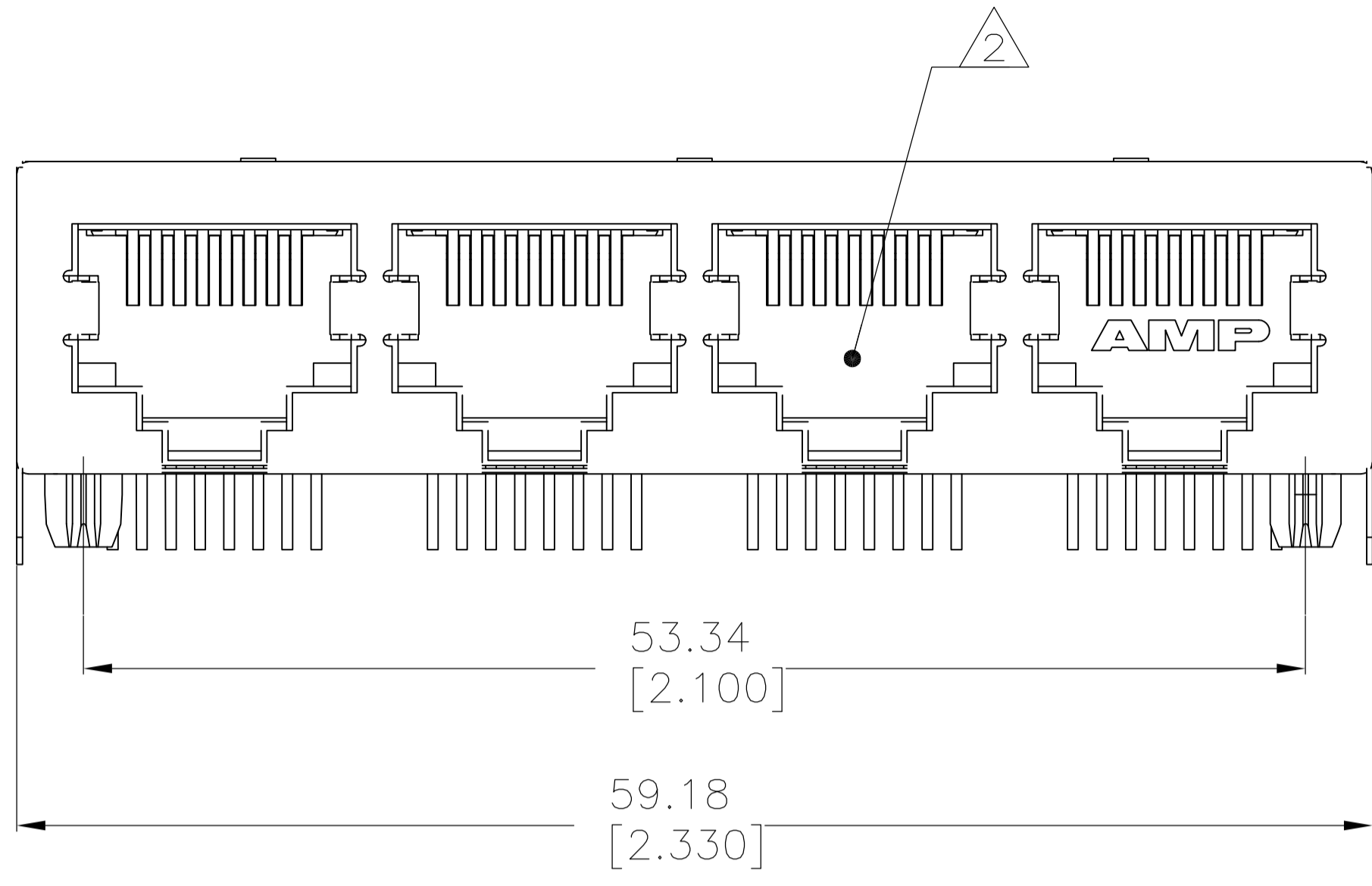
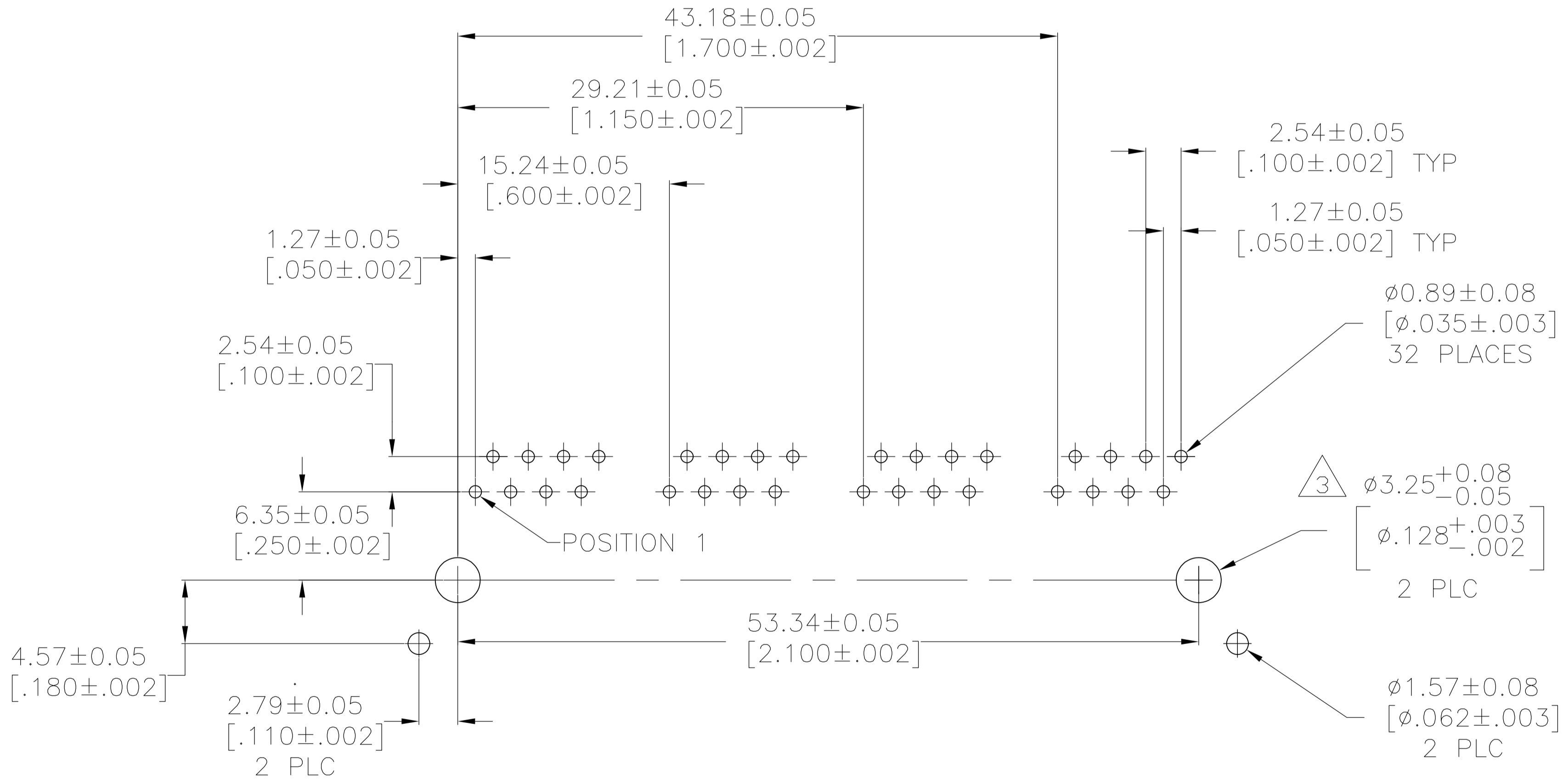


LOC		DIST		REVISIONS			
P	LTR	DESCRIPTION	DATE	DN	APVD		
C		REV PER ECR-10-018501	6SEP2010	DZ	MQ.W		



- MATERIAL: HOUSING - NYLON, COLOR: BLACK, UL 94V-0. OVERMOLDED TERMINAL ARRAY - PBT, BROWN. TERMINALS - 0.33[.013] THICK PHOS BRONZE PLATED WITH 1.27µm[.000050] MINIMUM HARD GOLD IN LOCALIZED AREA AND 3.81µm[.000150] MINIMUM TIN-LEAD IN SOLDER AREA OVER 1.27µm[.000050] MINIMUM NICKEL UNDERPLATE. SHIELD - 0.254[.010] THICK COPPER ALLOY PLATED WITH 1.27µm[.000050] MINIMUM NICKEL AND 2.03µm[.000080] MINIMUM TIN HOT DIP ON PCB GROUND TABS
- △2 JACK CAVITY CONFORMS TO FCC RULES AND REGULATIONS, PART 68 SUBPART F.
- △3 USE #30 DRILL BIT OR 3.25mm DRILL BIT WHEN PRODUCING THESE PCB HOLES.



RECOMMENDED PC BOARD LAYOUT
 COMPONENT SIDE
 SEE APPLICATION SPECIFICATION

6116527-1
 PART NUMBER

THIS DRAWING IS A CONTROLLED DOCUMENT.		DIN L. VARELA - DOCKS 13JUN2005	Tyco Electronics Corporation Harrisburg, PA 17105-3608
DIMENSIONS: mm [INCHES]		CHK J. WESTMAN 13JUN2005	
TOLERANCES UNLESS OTHERWISE SPECIFIED:		APVD S. FLICKINGER 13JUN2005	NAME MODULAR JACK ASSEMBLY, 8 POSITION, 4 PORT, RIGHT ANGLE, LOW PROFILE, SHIELDED, PC BOARD GROUND, CATEGORY 5
0 PLC ± -		PRODUCT SPEC 108-1163-2	SIZE 114-2048
1 PLC ± -		APPLICATION SPEC	SCALE 4:1
2 PLC ± 0.25[.01]		WEIGHT -	SHEET 1 OF 1
3 PLC ± 0.13[.005]		FINISH SEE NOTE 1	REV C
4 PLC ± -		CUSTOMER DRAWING	
ANGLES ± -			