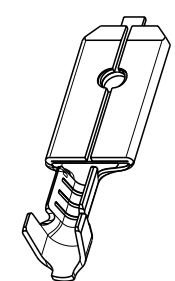
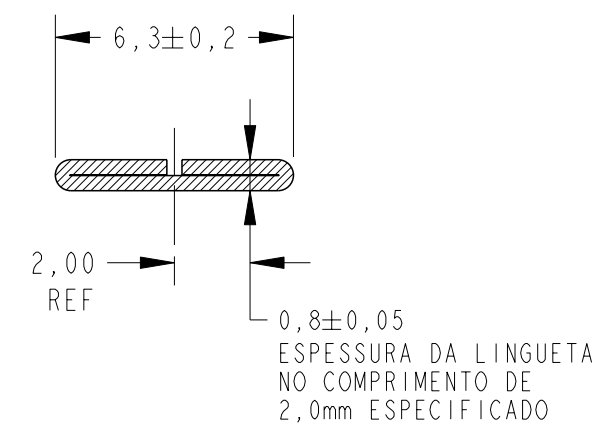
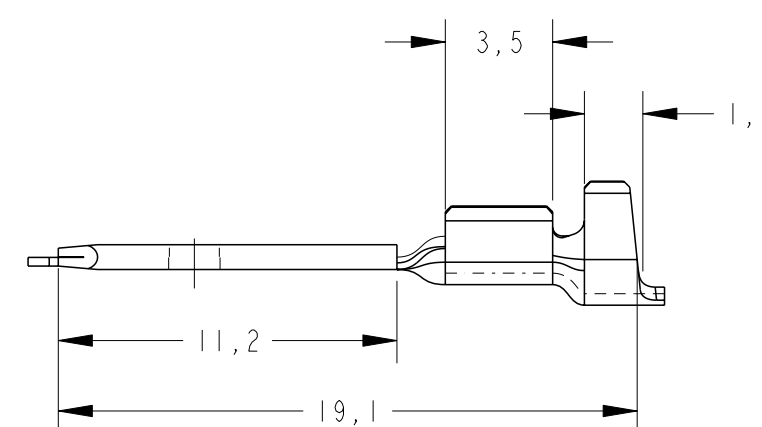
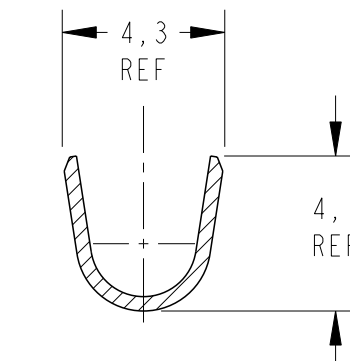
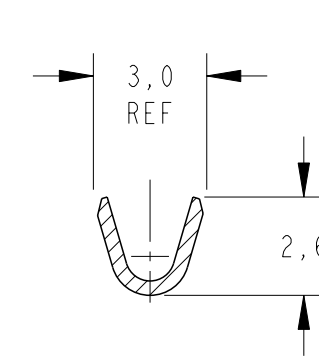
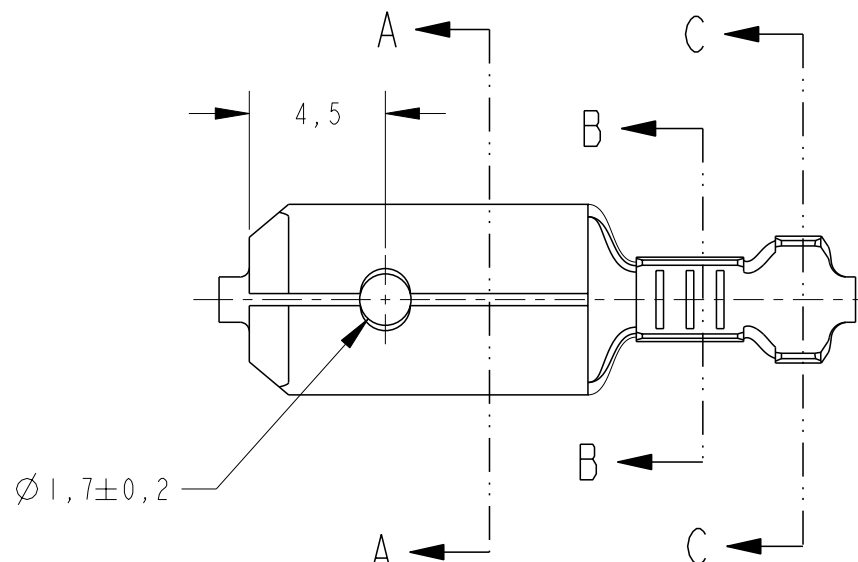


LOC AP DIST -

REVISIONS

P	LTR	DESCRIPTION	DATE	DWN	APVD
	J1	REDRAW BY CAD ECO-12-014149	27AUG2012	NCL	DAO



PERSPECTIVE VIEW SCALE 2:1

SECTION A-A SCALE 5:1

FINISH	MATERIAL	PART NUMBER
SILVER PLATED	BRONZE FOSF./PHOSP BRONZE	626377 -4
—	BRONZE FOSF./PHOSP BRONZE	626377 -3
ESTANHADO / TIN PLATED	LATÃO / BRASS	626377 -2
—	LATÃO / BRASS	626377 -1

INS. RANGE	WIRE RANGE
Ø 2,0-3,0mm	22-18AWG

THIS DRAWING IS A CONTROLLED DOCUMENT.

DWN NCLAPRESA 13JUL2012
 CHK JRGOLDSCHMIDT 13JUL2012
 APVD DAOLIVEIRA 13JUL2012

NAME: -
STE TE Connectivity
 TERMINAL FASTON .250 TAB

PRODUCT SPEC: -
 APPLICATION SPEC: -
 WEIGHT: -

MATERIAL: SEE TABLE
 FINISH: SEE TABLE

SIZE: A3 CAGE CODE: 00779 DRAWING NO: 626377 RESTRICTED TO: -

CUSTOMER DRAWING SCALE: - SHEET: 1 OF: 1 REV: J1