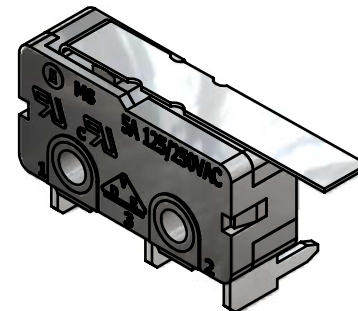
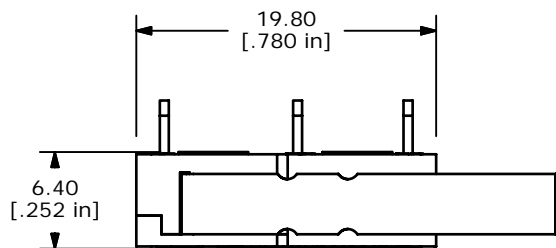
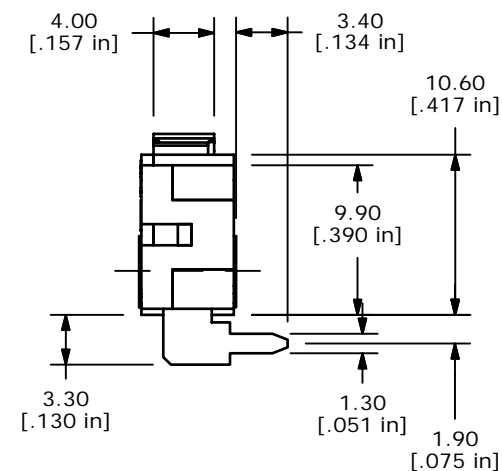
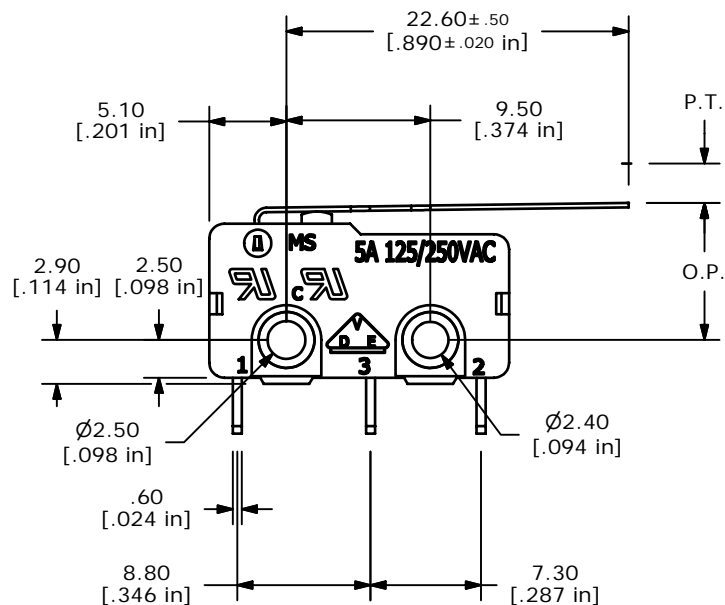
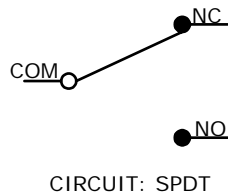


| | |
|-----------|-----------|
| O.P. (MM) | P.T. (MM) |
| 9.5 ±0.8 | 4.4 MAX |

O.P. = OPERATING POINT
P.T. = PRE-TRAVEL



ISOMETRIC



NOTES:

1. ALL DIMENSIONS IN MM [INCH]
2. GENERAL TOLERANCE: X.X=±0.4
X.XX=±0.25
3. RATING: 5A @125/250VAC UL, CUL, VDE, APPROVED
- ▲4. OPERATING FORCE: 025± 12 GRAMS
5. OPERATING TEMP: -25°C TO 85°C
6. ELECTRICAL LIFE: 50,000 CYCLES MIN.
7. MECHANICAL LIFE: 1,000,000 CYCLES TYP.
8. INSULATION RESISTANCE: 100 MΩ
9. DIELECTRIC STRENGTH: 1000VAC 1 MINUTE (INITIAL VALUE)
10. CONTACT RESISTANCE: 100 MILLI-OHMS MAX.
11. ▲ DENOTES CRITICAL PARAMETER.
12. 2002/95/EC (ROHS) COMPLIANT



| | | | | |
|-----|--------|-------------------------|------------|----|
| A | 16620 | RELEASED FOR PRODUCTION | 11/10/2006 | TN |
| REV | PCR NO | DESCRIPTION | DATE | BY |

| | | | | |
|------------------------|------------|----|---------|-----|
| TITLE MS0850503F025V1A | | | | |
| SCALE | DATE | DR | DWG | REV |
| 2:1 | 11/10/2006 | TN | Q970064 | A |

THE INFORMATION CONTAINED IN THIS DOCUMENT IS PROPRIETARY TO E-SWITCH AND IS NOT TO BE COPIED OR TRANSFERRED