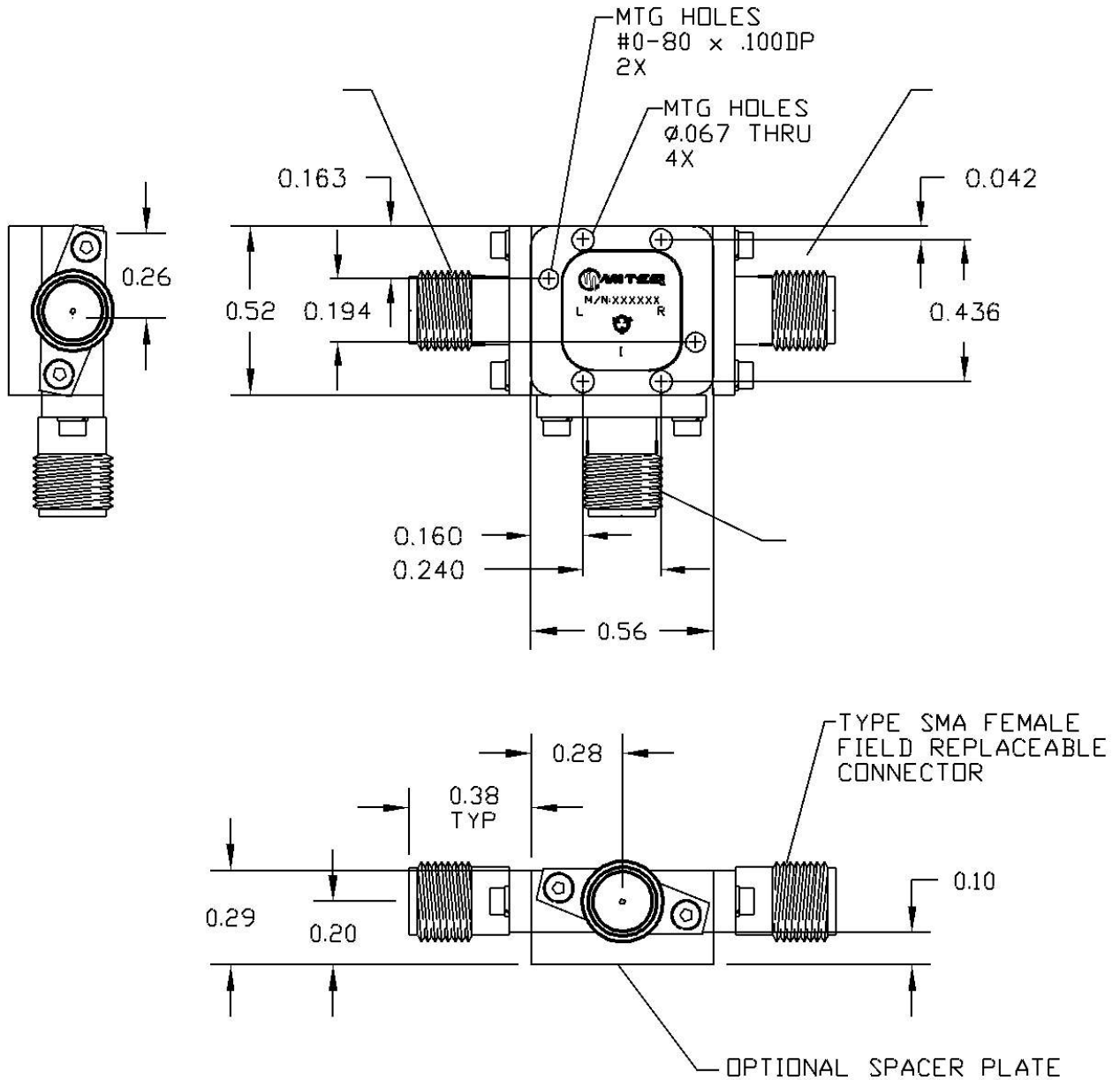


DASH NO.	APPLICATION		REVISIONS			
	NEXT ASSY	USED ON	LTR	DESCRIPTION	DATE	APPROVED
			C	ASQL-Format, REDRAWN Add missing MTG HOLES	4/7/2006	L. Cardinal
			C	ADD MISSING MTG HOLE IMAGE & INFO		



FINISH: NICKEL per MIL-C-26074

ALL PAGES ARE OF ORIGINAL ISSUE (A) EXCEPT AS NOTED.	CONTR. NO. MQ0146748		 100 Davids Drive, Hauppauge, New York 11788
	PREP BY NAME AL	DATE 9/19/1991	
UNLESS OTHERWISE SPECIFIED DIMENSIONS ARE IN INCHES (MM) TOLERANCES ON DECIMAL ANGLES XX±.01 XXX±.005 ±0°30'	CHKD BY L. Cardinal	DATE 4/6/2006	OUTLINEDRAWING TRIPLE BALANCED MIXER W1 PKG
	PROJ ENGR S. Spohrer	DATE 4/7/2006	
APPROVAL (PROJ)		SIZE A	CODE IDENT. NO. 118190
APPROVAL (GOVT)		SCALE	REV C SHEET 1 OF 1