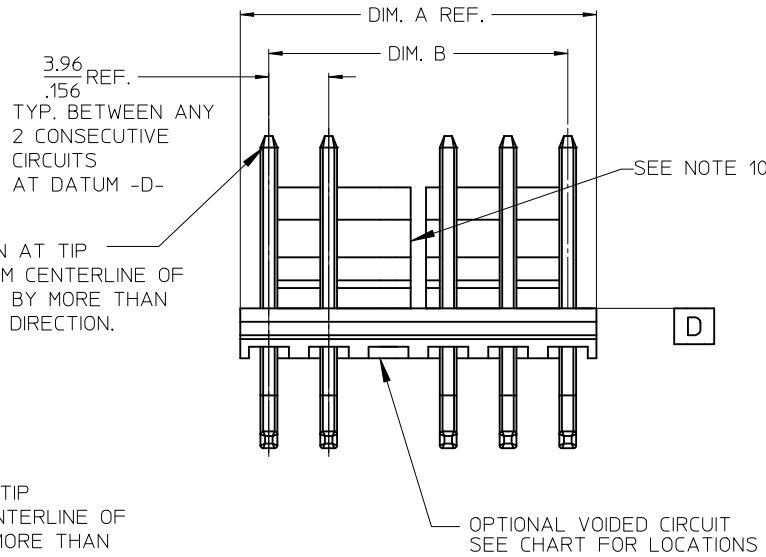


CENTERLINE OF PIN AT TIP
NOT TO VARY FROM CENTERLINE OF
PIN AT DATUM -D- BY MORE THAN
0.20 / .008 IN ANY DIRECTION.

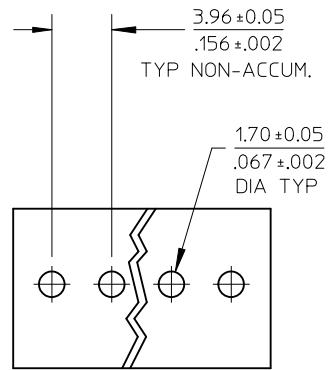
CENTERLINE OF PIN AT TIP
NOT TO VARY FROM CENTERLINE OF
PIN AT DATUM -D- BY MORE THAN
0.20 / .008 IN ANY DIRECTION.

NOTES:

- MATERIAL: HEADER-GLASS FILLED POLYESTER, 94V-0, MOLDED NATURAL (WHITE).
- FINISH:
 - (197) OVERALL REFLOWED MATTE TIN: 0.00152/.000060 MIN. OVER 0.00127/.000050 MIN. NICKEL OVERALL.
 - (228) SELECT GOLD: .00076/.000030 MIN, SELECT TIN: .00254/.000100 MIN. OVERALL NICKEL UNDERPLATE: .00127/.000050 MIN.
- PRODUCT SPECIFICATION AND PROCESS PARAMETERS: SEE PS-08-50.
- PACKAGING: SEE CHART
- SOLDERABILITY: PER SMES-152.
- PIN PUSH-OUT FORCE: PRIOR TO SOLDERING, A 3 LB. MINIMUM FORCE (IN EITHER DIRECTION)
- PARTS ARE STACKABLE TO END ON 3.96/.156 CENTERS.
- THE PRIMARY SHIPPING CARTON WILL BE LABELED "COMPLIANT TO RoHS DIRECTIVE 2002/95/EC AND ELV ANNEX II OF DIRECTIVE 2000/53/EC". ASSEMBLIES WILL BE COMPLIANT TO THE RoHS AND ELV (LEAD-FREE) DIRECTIVES.
- THIS PART CONFORMS TO CLASS B REQUIREMENTS OF COSMETIC SPECIFICATION PS-45499-002.
- SLOTS ON BACKWALL ARE BETWEEN CIRCUITS. SEE CHART FOR LOCATION



CKT	DIM. A	DIM. B	SLOT LOC BETWEEN CKTS
2	7.77 .306	3.96±0.05 .156±.002	NONE
3	11.73 .462	7.92±0.08 .312±.003	NONE
4	15.70 .618	11.89±0.08 .468±.003	NONE
5	19.66 .774	15.85±0.10 .624±.004	NONE
6	23.62 .930	19.81±0.10 .780±.004	3 & 4
7	27.58 1.086	23.77±0.10 .936±.004	4 & 5
8	31.55 1.242	27.74±0.13 1.092±.005	4 & 5
9	35.51 1.398	31.70±0.13 1.248±.005	5 & 6
10	39.47 1.554	35.66±0.13 1.404±.005	5 & 6
11	43.43 1.710	39.62±0.15 1.560±.006	6 & 7
12	47.40 1.866	43.59±0.15 1.716±.006	4 & 5 8 & 9
13	51.36 2.022	47.55±0.15 1.872±.006	4 & 5 9 & 10
14	55.32 2.178	51.51±0.18 2.028±.007	5 & 6 9 & 10
15	59.28 2.334	55.47±0.18 2.184±.007	5 & 6 10 & 11
16	63.25 2.490	59.44±0.18 2.340±.007	5 & 6 11 & 12
17	67.21 2.646	63.40±0.20 2.496±.008	6 & 7 11 & 12
18	71.17 2.802	67.36±0.20 2.652±.008	6 & 7 12 & 13



PCB LAYOUT: COMPONENT SIDE

ADD FINISH 197 EC NO: UCP2012-0114 DRWN:MMSTROH 2011/08/03 CHKD:MKIPPER 2011/10/21 APPR:FSMITH 2011/10/28	DESCRIPTION QUALITY SYMBOLS $\nabla \text{E} = 0$ $\nabla \text{E} = 0$ $\nabla \text{E} = 0$	GENERAL TOLERANCES (UNLESS SPECIFIED)		DIMENSION STYLE MM/IN		SCALE 2:1	DESIGN UNITS INCH	THIRD ANGLE PROJECTION	
			mm	INCH	DRAWN BY ADERR	DATE 2005/04/28	TITLE KK .156 HEADER ASSEMBLY FRICTION LOCK, RA W/O PEGS, LEAD-FREE		
		4 PLACES	± ---	± ---	CHECKED BY LSCHMIDT	DATE 2005/05/02	MOLEX INCORPORATED		
		3 PLACES	± ---	± .010	APPROVED BY FSMITH	DATE 2005/05/03	MATERIAL NO. SEE CHART	DOCUMENT NO. SD-41792-002	SHEET NO. 1 OF 2
			2 PLACES	± 0.25	± .015	THIS DRAWING CONTAINS INFORMATION THAT IS PROPRIETARY TO MOLEX INCORPORATED AND SHOULD NOT BE USED WITHOUT WRITTEN PERMISSION			
			1 PLACE	± 0.38	± ---				
			ANGULAR ±1/2°						
			DRAFT WHERE APPLICABLE MUST REMAIN WITHIN DIMENSIONS						

OPTIONS	Group	A-41792-0528/0544	Group	A-41792-0002/0018	Group		Group	
	Header No:	41790-0002/0018	Header No:	41790-0002/0018	Header No:		Header No:	
	Pin No:	43294-0570	Pin No:	2161-37(102)	Pin No:		Pin No:	
	Plating:	228 – 30 GOLD	Plating:	102 – TIN	Plating:		Plating:	
	Pin Length L	27.94 / 1.100	Pin Length L	27.94 / 1.100	Pin Length L		Pin Length L	
	Mating M	11.43 / .450	Mating M	11.43 / .450	Mating M		Mating M	
	Gold Loc G	6.86 / .270	Gold Loc G	N/A	Gold Loc G		Gold Loc G	
	Height Y	5.41 / .213	Height Y	5.41 / .213	Height Y		Height Y	
	PC Tail P	3.96/ .156	PC Tail P	3.96/ .156	PC Tail P		PC Tail P	
	Tin Loc T	5.08/ .200	Tin Loc T	OVERALL	Tin Loc T		Tin Loc T	
	Voided Ckts	NONE	Voided Ckts	NONE	Voided Ckts		Voided Ckts	
	Pack Per	PK-41792-002	Pack Per	PK-41792-002	Pack Per		Pack Per	
	Ckts	Material No	Engineer Number	Material No	Engineer Number	Material No	Engineer Number	Material No
2								
3								
4			50-29-1673	A-41792-0004				
5								
6	41792-5532	A-41792-0532						
7								
8								
9								
10								
11								
12								
13								
14								
15								
16								
17								
18								

REV: B	<u>ECR/ECN INFORMATION:</u> EC No.: UCP2012-0114 DATE: 10/31/2011	<u>TITLE:</u> KK 156 HEADER ASSEMBLY FRICTION LOCK, RA W/O PEGS, LEAD-FREE	<u>SHEET No.:</u> - 2 -
<u>DOCUMENT NUMBER:</u> SD- 41792-002	<u>CREATED / REVISED BY:</u> MMSTROH	<u>CHECKED BY:</u> MKIPPER	<u>APPROVED BY:</u> FSMITH