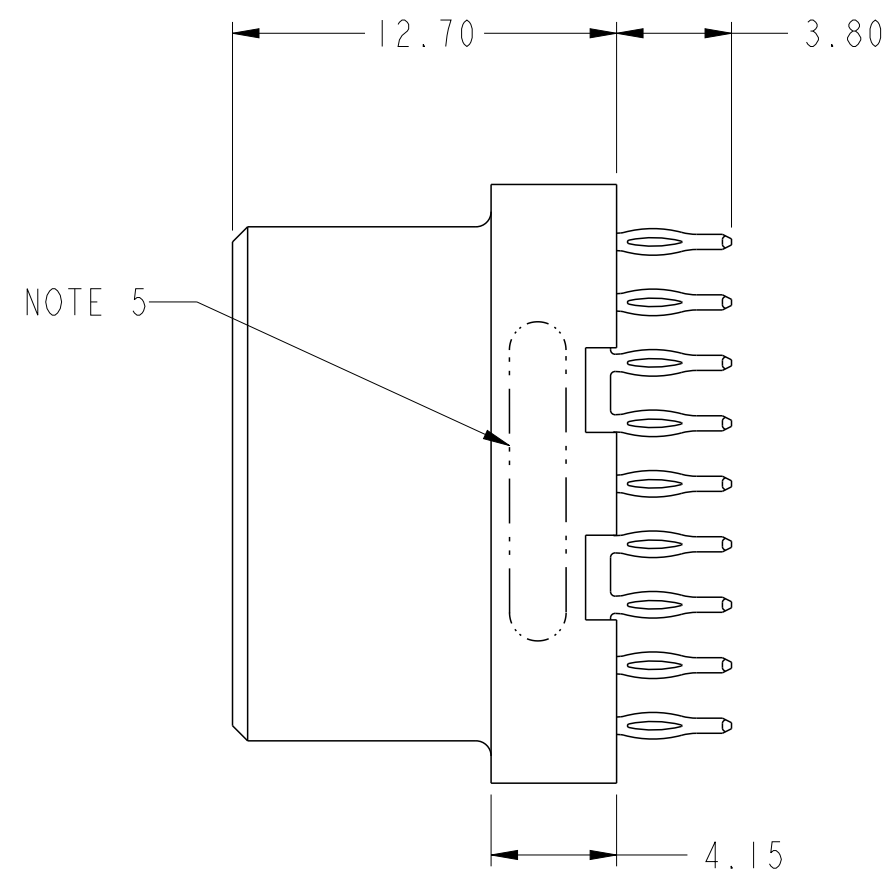
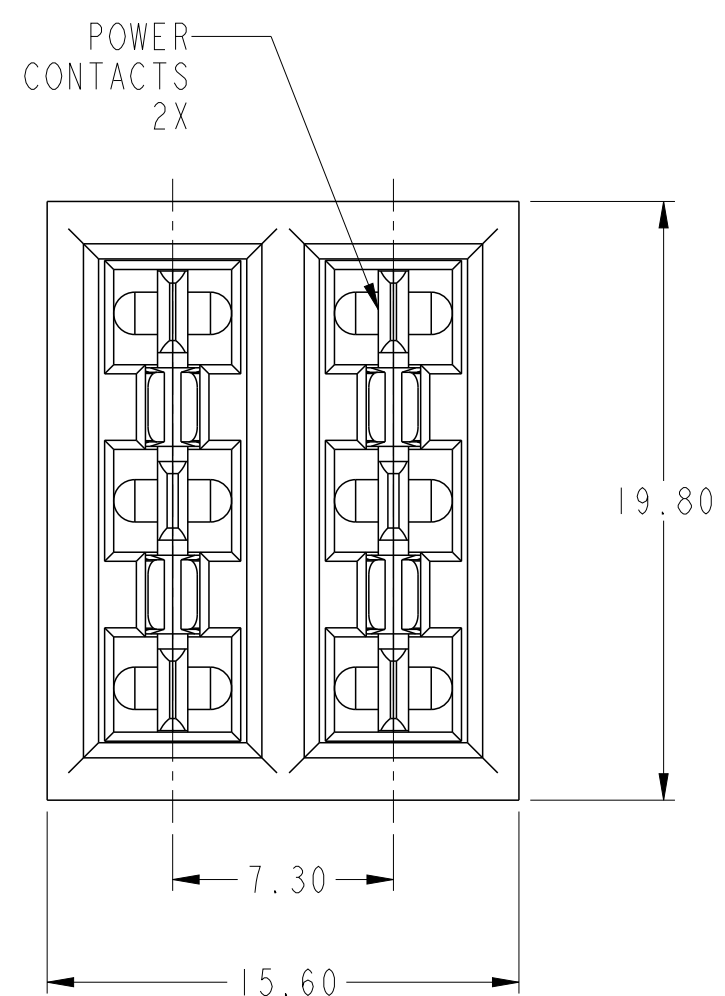
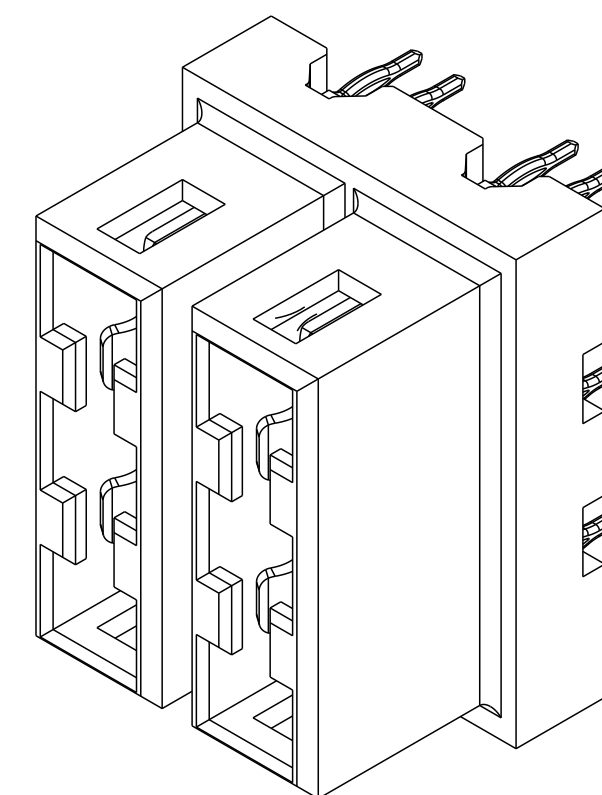
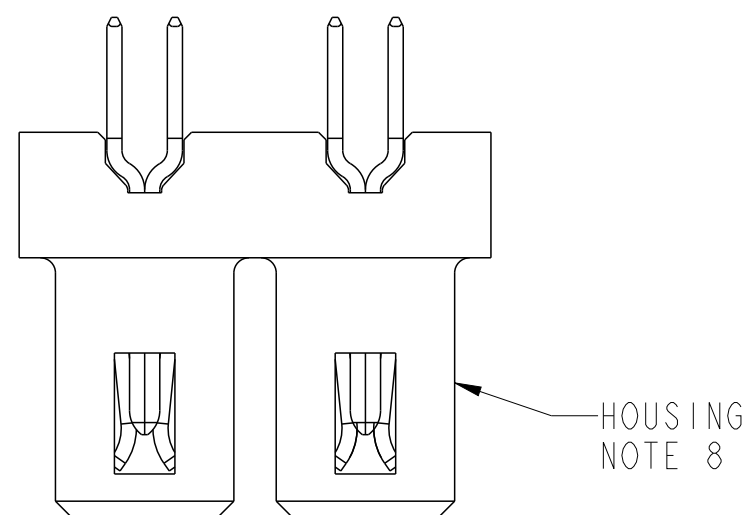


PART NUMBER	TAIL PLATING	TAIL TYPE	HALOGEN OPTION
10078768-001LF	Sn	PRESS-FIT	HALOGEN
10078768-001LHLF	Sn	PRESS-FIT	LOW HALOGEN



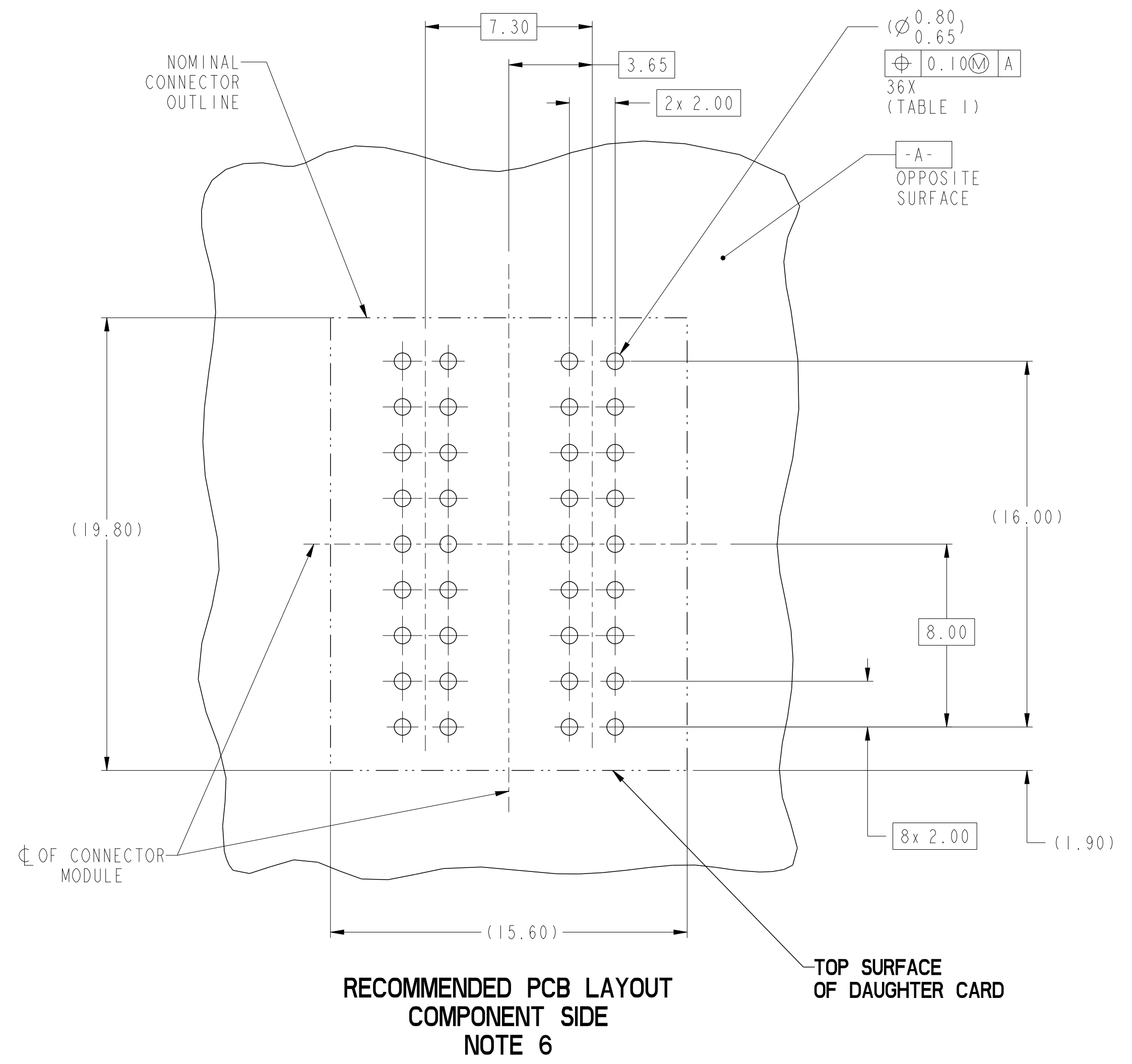
spec ref	-	dr	NotFound DuWa	2010/04/28	projection	MM	size	A2	scale	4:1
tolerance std	ISO 406 ISO 1101	eng	De-Ming Lu	2017/01/10			ecn no	ELX-DG-25746-1		
TOLERANCES UNLESS OTHERWISE SPECIFIED		chr	Fancy Zhang	2017/01/10			rel level	Released		
surface	ISO 1302	appr	Pei-Ming Zheng	2017/01/11	product family	HCI	rel level	Released		
linear	0.X ±0.5 0.XX ±0.25 0.XXX ±0.10	Amphenol FCI		title	ASSEMBLY, RECEPT, VERT, 2 POSN ISOLATED POWER CONTACT			dwg no	10078768	
angular	0° ±2°	Amphenol FCI		cat. no.	-			Product - Customer Drw	sheet 1 of 2	

Amphenol FCI

© 2016 AFCI

TOP LAYER DESCRIPTION	TABLE 1 (HCI POWER) PLATED THROUGH-HOLE REQUIREMENTS							
	DRILLED HOLE DIAMETER	COPPER THICKNESS	TIN-LEAD THICKNESS	NICKEL THICKNESS	GOLD THICKNESS	TIN THICKNESS	SILVER THICKNESS	FINISHED HOLE DIAMETER
TIN-LEAD	0.81-0.86 (0.85 DRILL)	0.025 - 0.050	0.005 - 0.015	--	--	--	--	0.65 - 0.80
IMMERSION TIN	0.81-0.86 (0.85 DRILL)	0.025 - 0.050	--	--	--	0.9 - 1.5um	--	0.70 - 0.80
IMMERSION SILVER	0.81-0.86 (0.85 DRILL)	0.025 - 0.050	--	--	--	--	0.15 - 0.65um	0.70 - 0.80
COPPER (SEE NOTE 9)	0.81-0.86 (0.85 DRILL)	0.025 - 0.050	--	--	--	--	--	0.70 - 0.80
GOLD	0.81-0.86 (0.85 DRILL)	0.025 - 0.050	--	0.003 - 0.007	FLASH UP TO 0.0002	--	--	0.69 - 0.80

- NOTES:
- CONNECTOR MATERIALS:
HOUSING: HIGH TEMPERATURE THERMOPLASTIC, BLACK
UL 94V-0 COMPLIANT
CONTACTS: HIGH PERFORMANCE COPPER ALLOY
 - CONTACT FINISH (Ref. GS-12-380 SECTION 5.2).
 - PRODUCT SPECIFICATION: GS-12-380.
 - APPLICATION SPECIFICATION: GS-20-070.
 - PRODUCT MARKING (PRODUCT NUMBER & DATE CODE) ON HOUSING IN AREA SHOWN.
 - MINIMUM NOMINAL PCB THICKNESS: 1.6mm
 - PACKAGING MEETS FCI SPECIFICATION GS-14-1194.
 - HOUSING COMPONENT WILL WITHSTAND EXPOSURE TO 260°C PEAK TEMPERATURE FOR 10 SECONDS IN A CONVECTION, INFRA-RED, OR VAPOR PHASE REFLOW OVEN.
 - COPPER PLATING THICKNESS IN CENTER OF VIA-HOLE CAN BE NO MORE THAN 0.003 LESS THAN OTHER AREAS.
 - ALL HOLE SIZES ARE FINISHED HOLE SIZES UNLESS OTHERWISE NOTED.



spec ref	-	dr	NotFound DuWa	2010/04/28	projection	MM	size	A2	scale	6:1		
tolerance std	ISO 406 ISO 1101	eng	De-Ming Lu	2017/01/10			ecn no	ELX-DG-25746-1	rel level Released	rev D		
surface	TOLERANCES UNLESS OTHERWISE SPECIFIED linear 0.X ±0.5 0.XX ±0.25 0.XXX ±0.10 angular 0° ±2°	chr	Fancy Zhang	2017/01/10			product family	-			rel level	Released
		appr	Pai-Ming Zheng	2017/01/11			ASSEMBLY, RECEPT, VERT, 2 POSN ISOLATED POWER CONTACT	10078768			sheet 2 of 2	

Amphenol FCI

© 2016 APCI