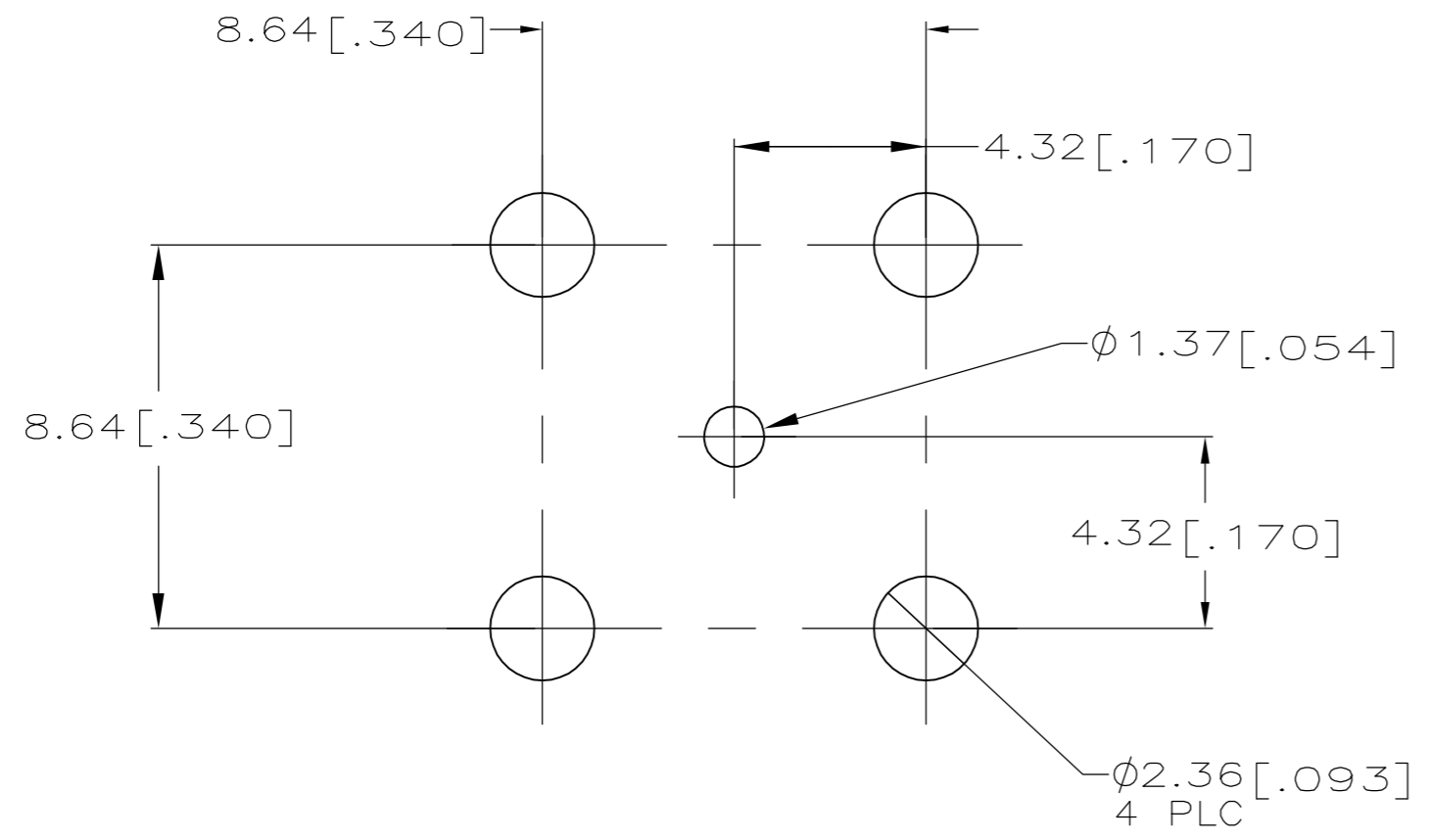
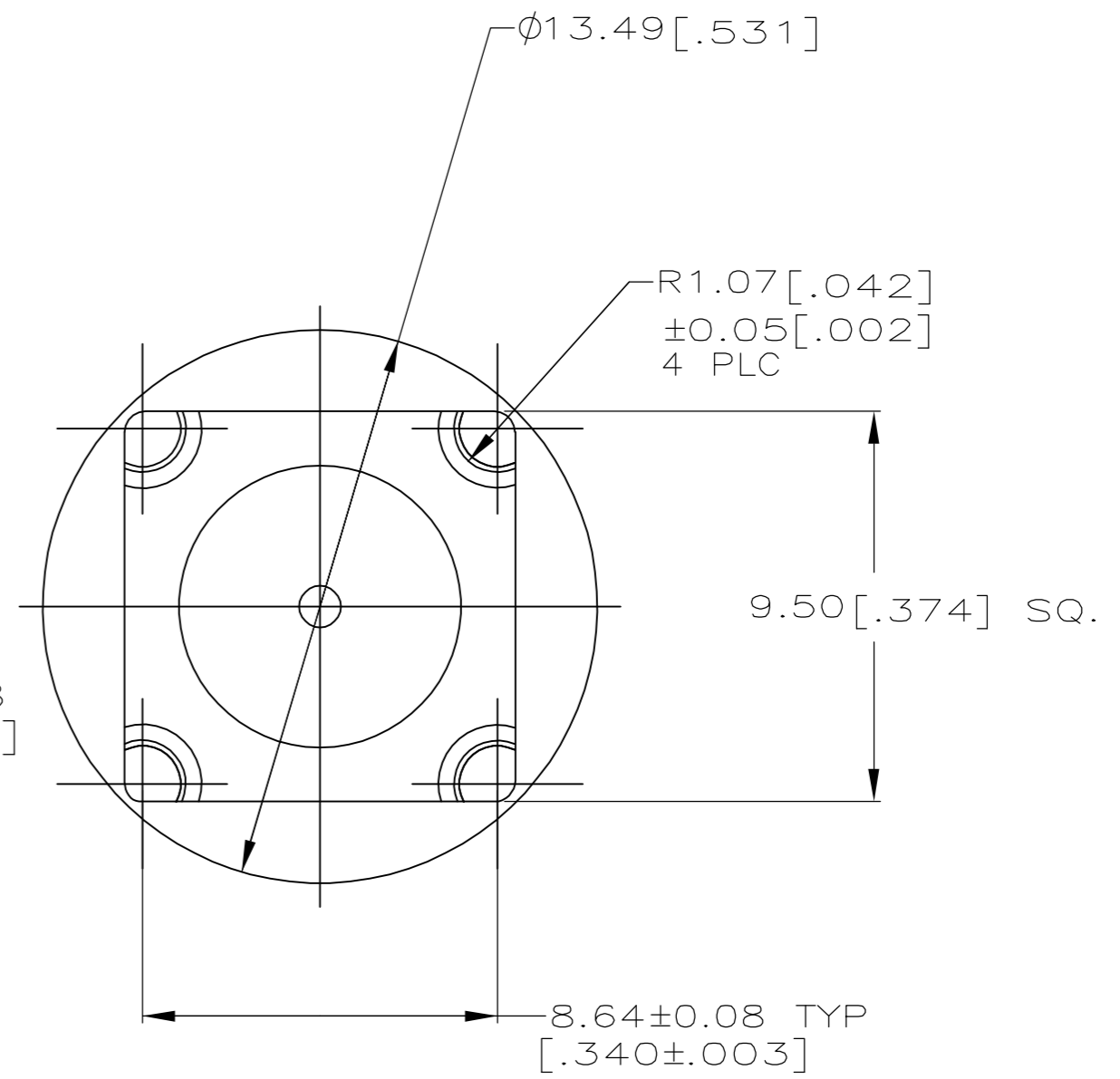
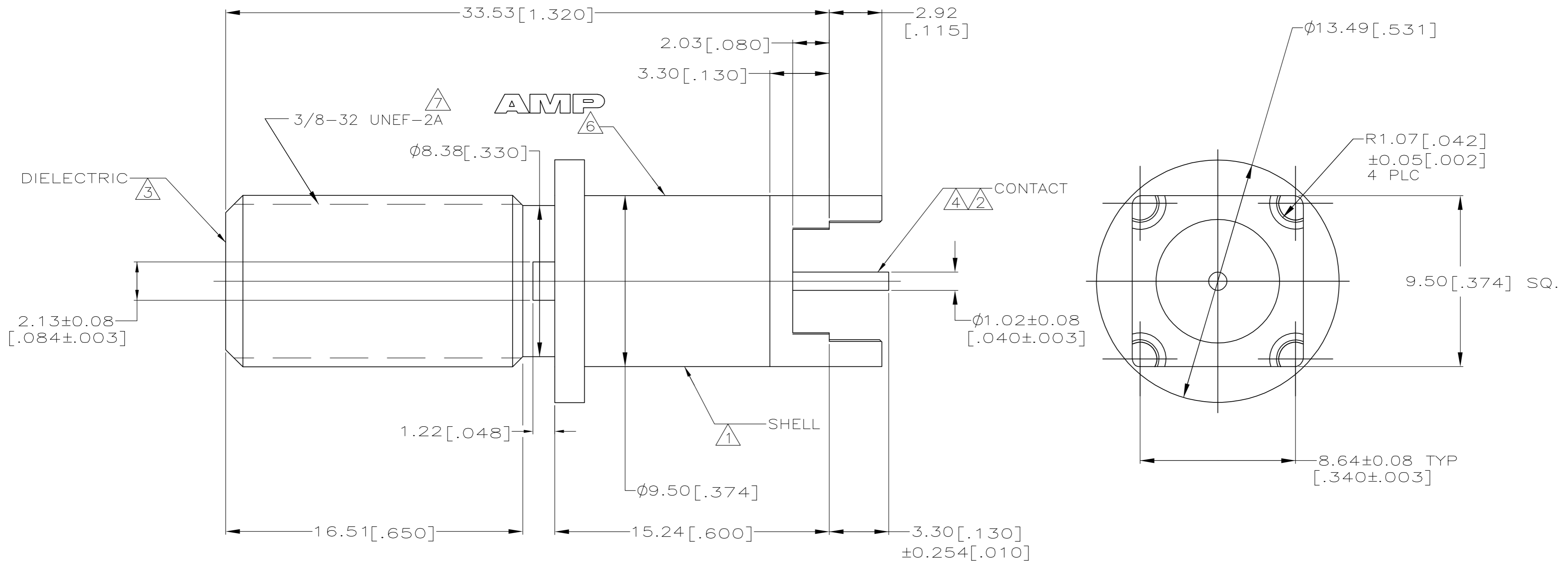


THIS DRAWING IS UNPUBLISHED. RELEASED FOR PUBLICATION
 © COPYRIGHT BY TYCO ELECTRONICS CORPORATION. ALL RIGHTS RESERVED.

Loc		DIST		REVISIONS			
P	LTR	DESCRIPTION	DATE	DWN	APVD		
AJ	16	REV PER ECO 07-006131	15MAR2007	DW	JL		



- 1 ZINC PER QQ-Z-363.
- 2 PHOSPHOR BRONZE PER QQ-B-750.
- 3 POLYMETHYLPENTENE AND ACETAL, GENERAL PURPOSE.
- 4 MATTE TIN PLATE PER ASTM-B-545, 3.81 μm [.000150] MINIMUM THICK.
- 5. CONNECTOR WILL ACCEPT A CENTER CONDUCTOR DIAMETER RANGE OF 0.56 [.022] - 1.19 [.047].
- 6 LOGO WILL BE LOCATED ON SURFACE INDICATED.
- 7 MAJOR DIA MODIFIED TO .363 REF.
- 8 BRIGHT TIN PLATE PER ASTM-B-545, 3.81 μm [.000150] MINIMUM THICK.

PCB CONFIGURATION
 TOLERANCE = ±0.08 [.003]

8	6274020-2
4	6274020-1
SHELL FINISH	PART NO

THIS DRAWING IS A CONTROLLED DOCUMENT.		DWN L. VARELA - DOCK5 01FEB2005	tyco Tyco Electronics Corporation	
DIMENSIONS: mm [INCHES]		CHK J. HAVENER 01FEB2005	Harrisburg, Pa 17105-3608	
TOLERANCES UNLESS OTHERWISE SPECIFIED:		APVD K. WEIDNER 01FEB2005	NAME JACK, VERT, PCB, F SERIES	
0 PLC ± -	1 PLC ± -	PRODUCT SPEC -	SIZE A2	CAGE CODE 00779
2 PLC ± 0.20 [.008]	3 PLC ± -	APPLICATION SPEC -	DRAWING NO C=6274020	RESTRICTED TO -
4 PLC ± -	ANGLES ± -	FINISH SEE TABLE	SCALE 6:1	SHEET 1 OF 1
MATERIAL	FINISH	WEIGHT -	CUSTOMER DRAWING	REV A