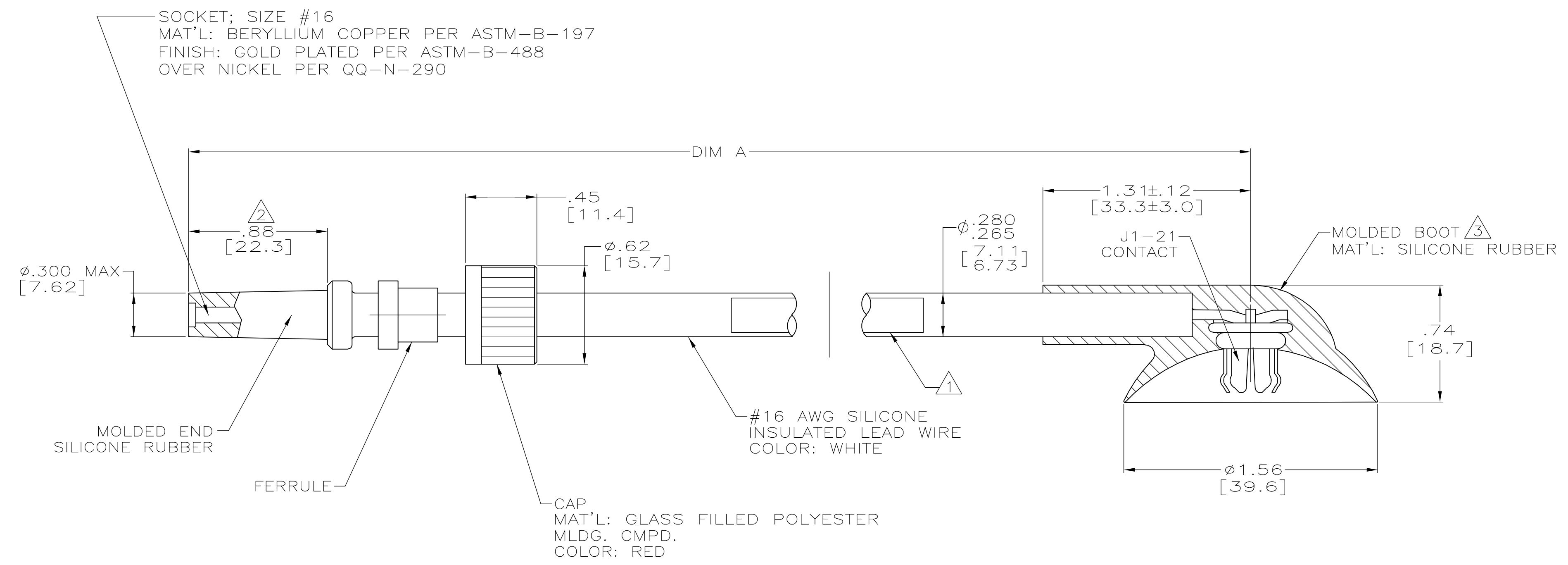


THIS DRAWING IS UNPUBLISHED. RELEASED FOR PUBLICATION - .N/A .  
 © COPYRIGHT N/A BY TYCO ELECTRONICS CORPORATION. ALL RIGHTS RESERVED.

LOC	DIST	REVISIONS					
DF	S0	P	LTR	DESCRIPTION	DATE	DWN	APVD
		C		REV PER 0H14-0191-05	05-05	AA	DE

- ① MARKED PER MIL-STD-130.
- ② TO MATE WITH AMP LGH-1 RECEPTACLE WITH .88 [22.4] BARREL DEPTH.
- ③ TO MATE WITH JEDEC-J1-21 CAP.



TIN	26.00±.50 [660.4±12.7]	5-866905-1
TIN-LEAD	18.00±.50 [457.2±12.7]	866905-3
TIN-LEAD	24.00±.50 [609.6±12.7]	866905-2
TIN-LEAD	26.00±.50 [660.4±12.7]	866905-1
J1-21 CONTACT PLATING	A DIM	PART NO.

THIS DRAWING IS A CONTROLLED DOCUMENT.		DWN C.C.THOMAS 26-APR-00	Tyco Electronics Corporation Harrisburg, Pa 17105-3608	
DIMENSIONS: INCHES		CHK D. EABY 26-APR-00		
TOLERANCES UNLESS OTHERWISE SPECIFIED:		APVD D. EABY 26-APR-00	NAME LEAD ASSY LGH-1L W/J1-22 BOOT	
0 PLC ± - 1 PLC ± - 2 PLC ± .02[0.5] 3 PLC ± .005[0.13] 4 PLC ± - ANGLES ± -		PRODUCT SPEC -	SIZE A2	CAGE CODE 00779
MATERIAL SEE CALLOUTS		FINISH SEE CALLOUTS	DRAWING NO C=866905	RESTRICTED TO -
CUSTOMER DRAWING		WEIGHT -	SCALE 2:1	SHEET 1 OF 1
			REV C	

866905