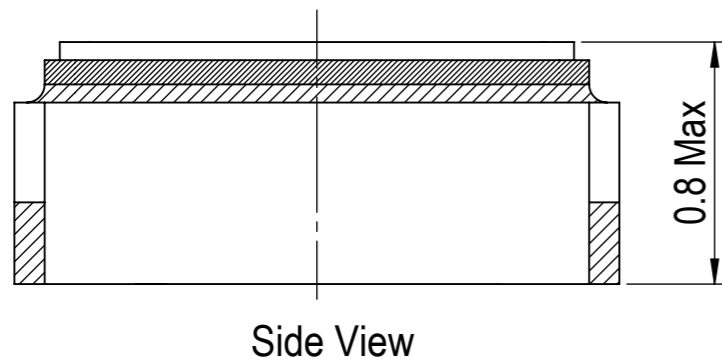
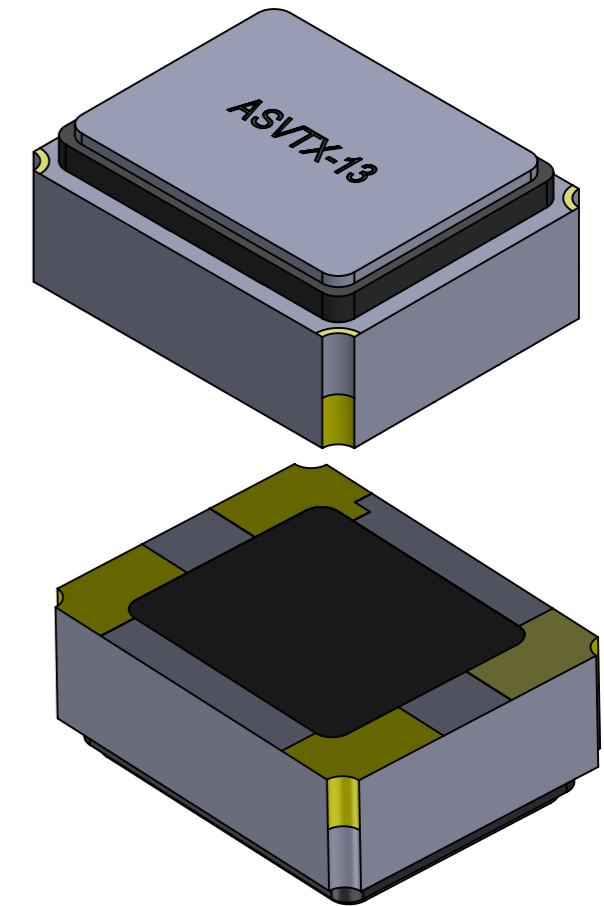


	Pin Connection
# 1 Pin	Vcon
# 2 Pin	GND
# 3 Pin	Output
# 4 Pin	Vcc

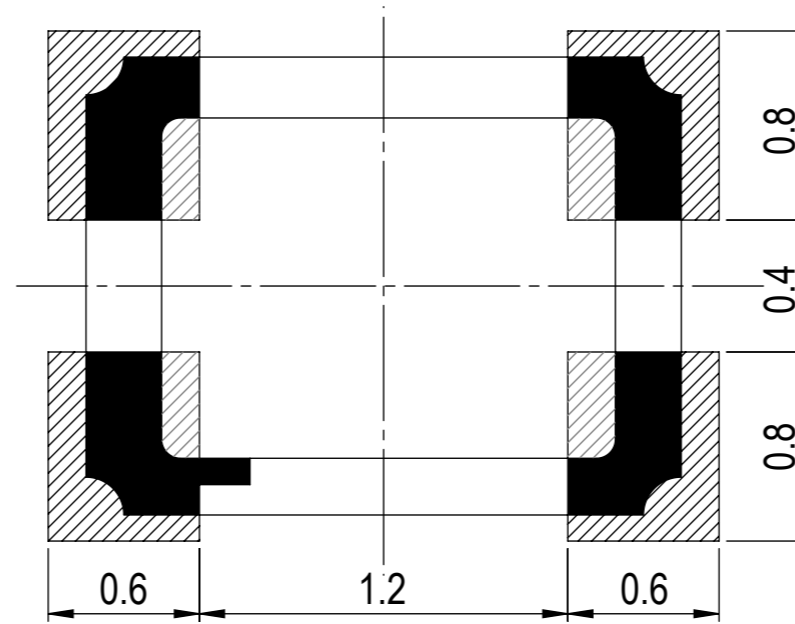
ASTX-13 VCTCXO

	Pin Connection
# 1 Pin	GND
# 2 Pin	GND
# 3 Pin	Output
# 4 Pin	+Vcc

ASTX-13 TCXO



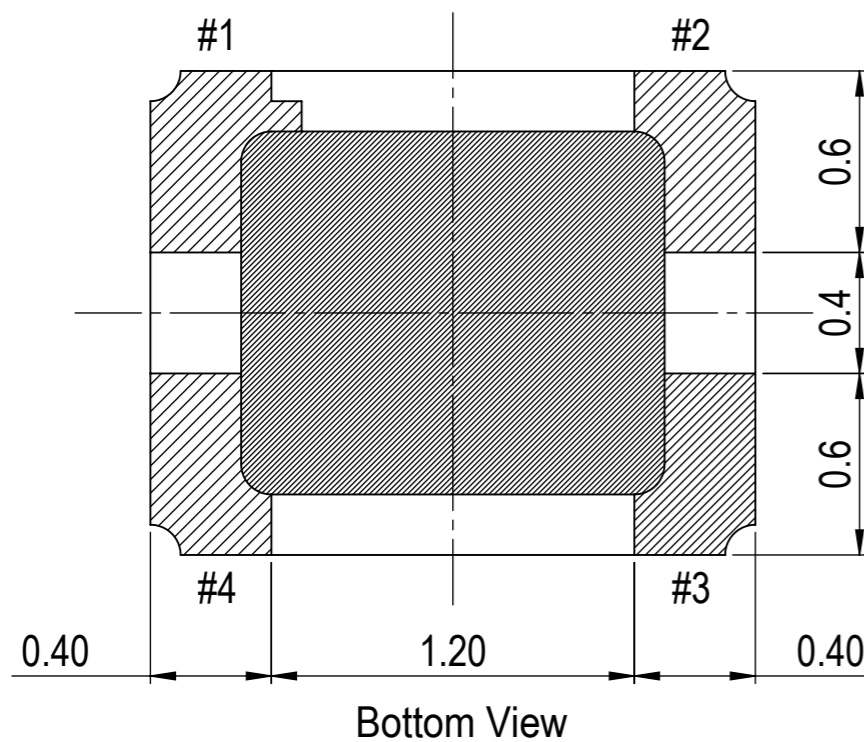
Recommended Land Pattern




Note1
Co-planarity :80um Max

Note2
Electrode : Mo + Ni 1.5 to 8.89um
+Au 0.3 to 1.0um

Note:It is recommended that a by-pass capacitor of 0.01μF value be placed between pin #2 and pin #4 and an AC-couplig capacitor of the same value be placed in series with pin #3 for optimal performance.For ASTX (TCXO) please connect pin #1 and #2 to GND



Top View

UNLESS OTHERWISE SPECIFIED: DIMENSIONS ARE IN MM SURFACE FINISH: TOLERANCES: LINEAR: ANGULAR:		FINISH:	DEBUR AND BREAK SHARP EDGES	DO NOT SCALE DRAWING	REVISION
NAME	SIGNATURE	DATE		 30332 Esperanza, Rancho Santa margarita, California 92688 TITLE: ULTRA MINIATURE SMD VC/TCXO DWG NO. ASVTX-13 A3 SCALE:10:1 SHEET 1 OF 1	
DRAWN	XXXXXX				
CHK'D	XXXXXX				
APPV'D					
MFG					
Q.A			MATERIAL:		
			WEIGHT:		