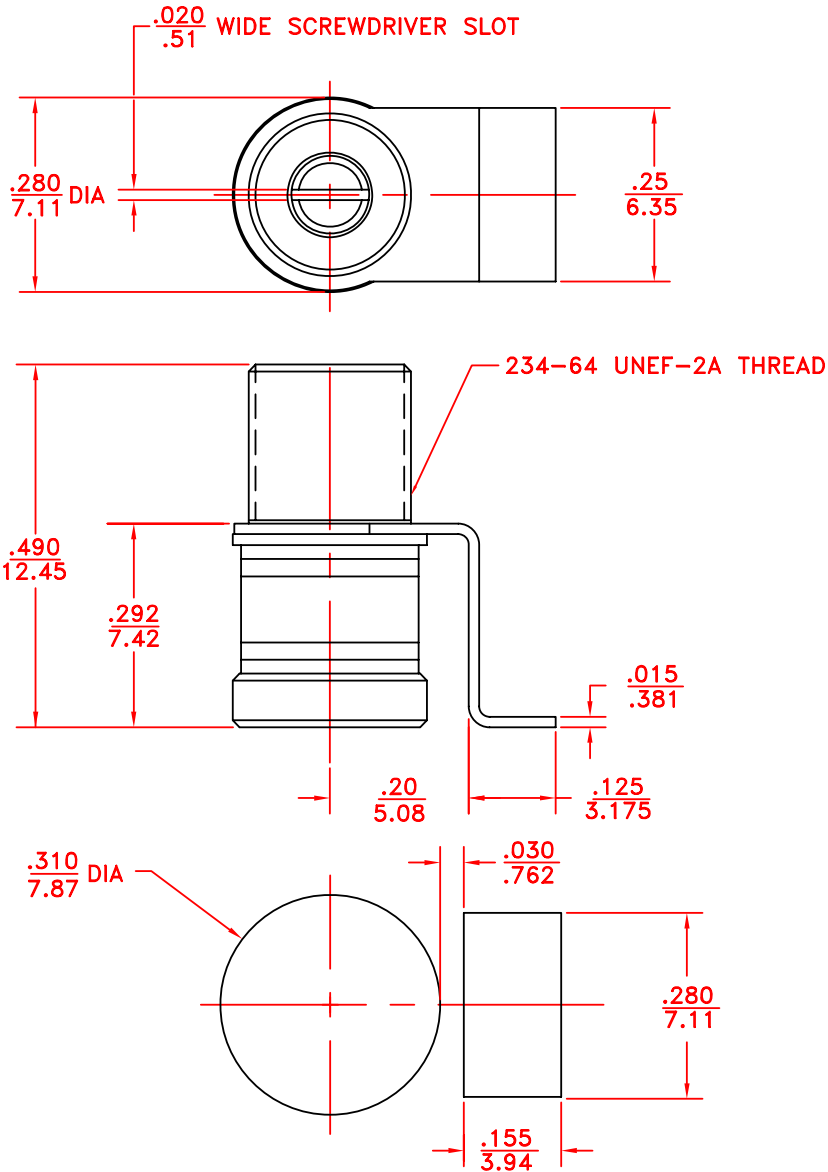


REV	DESCRIPTION	DATE	APP
00	NEW DRAWING	10/10/12	



NOTES:

1. $C_{max} \geq 10$ pF
2. C_{min} below 1.0pF
3. Working voltage 1000 VDC
4. Withstanding voltage 2000 VDC
5. $Q @ C_{max}$ and 100 MHZ over 2000
6. Operating temperature -65° C to $+125^{\circ}$ C
7. Torque .5 to 5.0 oz-in
8. Rotational life 10,000 turns
9. Dimensions: (in/mm)
10. Construction: nonmagnetic

SUGGESTED MOUNTING PAD LAYOUT

TOLERANCES: (EXCEPT AS NOTED)				SPRAGUE GOODMAN ELECTRONICS INC. 1700 SHAMES DRIVE WESTBURY, NY 11590			
DECIMAL: ± 0.002 in ± 0.051 mm		MATERIAL:		SCALE: 4:1		DRAWN BY: R. LEVIN	
FRACTIONAL: 1/64		TITLE: OUTLINE DWG SGNMA3T10009				APPROVED: D. DITLYA	
ANGULAR: 1°		DATE: 10/10/12		DRAWING NUMBER SGNMA3T10009		USED FOR: REV. 00	